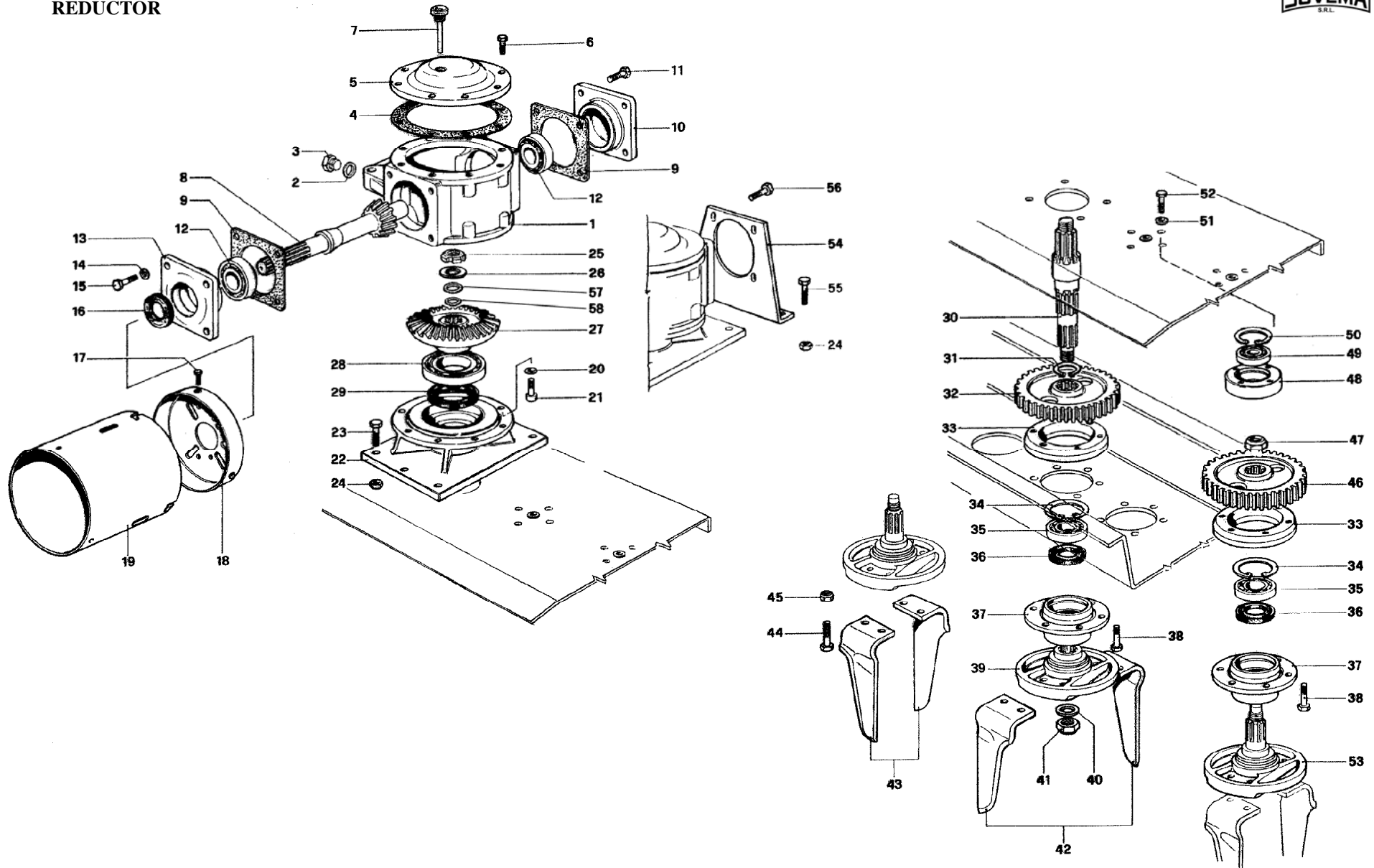


GEARBOX
BOITE DE VITESSE
GRUPPO
GETRIEBE
REDUCTOR

ERL-3



F-2-3-0

REF	CODE	QTY	ENGLISH	FRANÇAIS	ITALIANO	DEUTSCH	ESPAÑOL	NOTE
1	900.129.001	1	CASE	BOITE	SCATOLA	KISTE	CAJA	
2	900.104.032	1	WASHER	RONDELLE	RONDELLA	ZWISCHENSCHLEIBE	ARANDELA	
3	900.102.292	1	PLUG	BOUCHON	TAPPO	DECKEL	TAPON	
4	900.139.007	1	GASKET	JOINT	GUARNIZIONE	DICHTUNG	JUNTA	
5	900.212.068	1	LID	COUVERCLE	COPERCHIO	DECKEL	TAPA	
6	900.102.011	8	SCREW	VIS	VITE	SCHRAUBE	TORNILLO	
7	900.102.050	1	PLUG	BOUCHON	TAPPO	DECKEL	TAPON	
8	900.129.007	1	PINION	PIGNON	PIGNONE	RITZEL	PINON	
9	900.139.006	2	GASKET	JOINT	GUARNIZIONE	DICHTUNG	JUNTA	
10	900.129.003	1	CLAMPING	CHAPEAU	CAPPELOTTO	KAPPE	CAPUCHON	
11	900.102.019	4	SCREW	VIS	VITE	SCHRAUBE	TORNILLO	
12	900.100.023	2	BEARING	ROULEMENT	CUSCINETTO	KUGELLAGER	COJINETE	
13	900.129.002	1	CLAMPING	CHAPEAU	CAPPELOTTO	KAPPE	CAPUCHON	
14	900.104.010	4	WASHER	RONDELLE	RONDELLA	ZWISCHENSCHLEIBE	ARANDELA	
15	900.102.020	4	SCREW	VIS	VITE	SCHRAUBE	TORNILLO	
16	900.101.008	1	OIL SEAL	PARE-HUILE	PARAOLIO	SIMMERRING	PARA-ACEITE	
17	900.102.256.T	3	SCREW	VIS	VITE	SCHRAUBE	TORNILLO	
18	900.117.070	1	PROT. HOLDER	DISQUE	FONDELLO	ZWSCHUTZHALTER	DISCO	
19	900.117.072	1	GUARD	PROTECTION	PROTEZIONE	SCHUTZ	PROTECCION	
20	900.102.005	8	SCREW	VIS	VITE	SCHRAUBE	TORNILLO	
21	900.104.022	8	WASHER	RONDELLE	RONDELLA	ZWISCHENSCHLEIBE	ARANDELA	
22	900.212.070	1	BASE	BASE	BASE	BASIS	BASE	
23	900.102.052	6	SCREW	VIS	VITE	SCHRAUBE	TORNILLO	
24	900.103.019.T	6	NUT	ECROU	DADO	MUTTER	TUERCA	
25	900.103.069	1	RING NUT	EMBOUT	GHIERA	NUTMUTTER	CASQUILLO	
26	900.212.158	1	WASHER	RONDELLE	RONDELLA	ZWISCHENSCHLEIBE	ARANDELA	
27	900.129.008	1	CROWN	COURONNE	CORONA	TELLERRAD	CORONA	
28	900.100.012	1	BEARING	ROULEMENT	CUSCINETTO	KUGELLAGER	COJINETE	
29	900.101.007.0	1	OIL SEAL	PARE-HUILE	PARAOLIO	SIMMERRING	PARA-ACEITE	
30	900.212.069	1	SHAFT	ARBRE	ALBERO	WELLE	EJE	
31	900.106.015	1	CIRCLIP	SERFLEX	SEEGER	SEEGER	SEEGER	
32	900.212.071	1	GEAR	ENGRENAGE	INGRANAGGIO	ZAHNRAD	ENGRANAJE	
33	900.212.077	-	FLANGE	FLASQUE	FLANGIA	FLANSCH	BRIDA	
34	900.106.011	-	CIRCLIP	SERFLEX	SEEGER	SEEGER	SEEGER	
35	900.100.033	-	BEARING	ROULEMENT	CUSCINETTO	KUGELLAGER	COJINETE	
36	900.101.046	-	OIL SEAL	PARE-HUILE	PARAOLIO	SIMMERRING	PARA-ACEITE	
37	900.212.076	-	SUPPORT	SUPPORT	SUPPORTO	STUETZE	SOPORTE	
38	900.102.019	-	SCREW	VIS	VITE	SCHRAUBE	TORNILLO	
39	900.212.073	1	KNIFE-HOLDER	PORTE-COUTEAUX	PORTACOLTELLI	MESSERHALTER	PORTA-CUCHILLAS	
40	900.104.092	1	WASHER	RONDELLE	RONDELLA	ZWISCHENSCHLEIBE	ARANDELA	
41	900.103.072	1	NUT	ECROU	DADO	MUTTER	TUERCA	
42	900.111.056	-	KNIFE	COUTEAU	COLTELLO	MESSER	CUCHILLA	
43	900.111.057	-	KNIFE	COUTEAU	COLTELLO	MESSER	CUCHILLA	
44	900.102.218	-	SCREW	VIS	VITE	SCHRAUBE	TORNILLO	
45	900.103.063	-	NUT	ECROU	DADO	MUTTER	TUERCA	
46	900.212.072	-	GEAR	ENGRENAGE	INGRANAGGIO	ZAHNRAD	ENGRANAJE	
47	900.103.069	-	RING NUT	EMBOUT	GHIERA	NUTMUTTER	CASQUILLO	
48	900.212.075	-	SUPPORT	SUPPORT	SUPPORTO	STUETZE	SOPORTE	
49	900.100.047	-	BEARING	ROULEMENT	CUSCINETTO	KUGELLAGER	COJINETE	
50	900.106.028	-	CIRCLIP	SERFLEX	SEEGER	SEEGER	SEEGER	
51	900.104.010	-	WASHER	RONDELLE	RONDELLA	ZWISCHENSCHLEIBE	ARANDELA	
52	900.102.019	-	SCREW	VIS	VITE	SCHRAUBE	TORNILLO	
53	900.212.074	-	KNIFE-HOLDER	PORTE-COUTEAUX	PORTACOLTELLI	MESSERHALTER	PORTA-CUCHILLAS	
54	900.212.156	1	SUPPORT	SUPPORT	SUPPORTO	STUETZE	SOPORTE	190-210-230-250
55	900.102.021	3	SCREW	VIS	VITE	SCHRAUBE	TORNILLO	190-210-230-250
56	900.102.020	4	SCREW	VIS	VITE	SCHRAUBE	TORNILLO	190-210-230-250
57	900.237.300	1	OR GASKET	JOINT OR	GUARNIZIONE OR	DICHTUNG OR	JUNTA OR	
58	900.237.301	1	OR GASKET	JOINT OR	GUARNIZIONE OR	DICHTUNG OR	JUNTA OR	