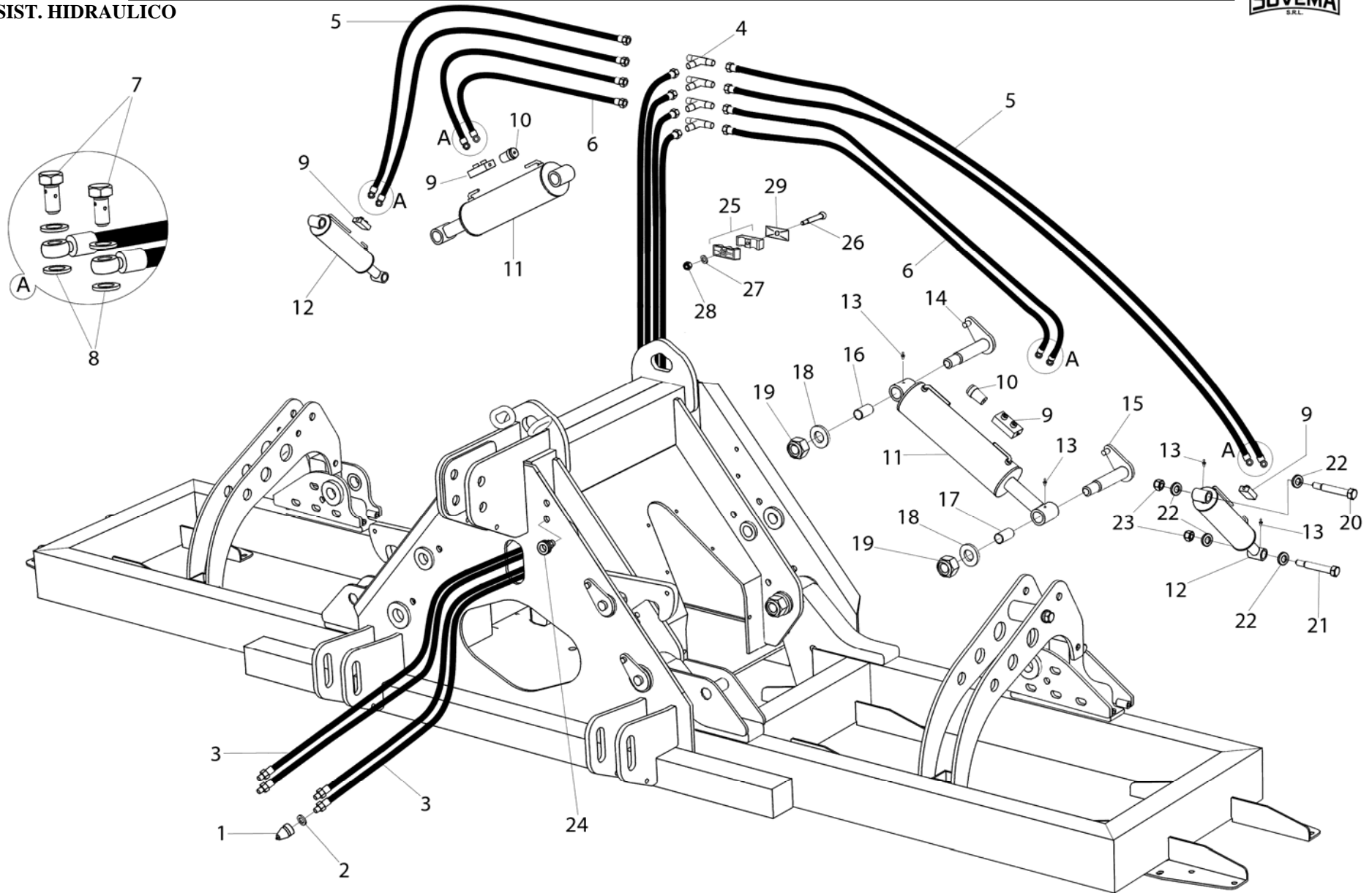


HYDR. SYSTEM
SYSTÈME HYDR.
SISTEMA IDR.
HYDR. ANLAGE
SIST. HIDRAULICO

ERX-D/-2



F-6-5-0

REF	CODE	QTY	ENGLISH	FRANÇAIS	ITALIANO	DEUTSCH	ESPAÑOL	NOTE
1	900.237.174	4	JACK	EMBRAYAGE	INNESTO	VERBINDEN	CONEXION	
2	900.104.033	4	WASHER	RONDELLE	RONDELLA	ZWISCHENSCHIEBE	ARANDELA	
3	900.211.090	4	PIPE	TUBE	TUBO	ROHR	TUBO	
4	900.237.258	4	FITTING	RACCORD	RACCORDO	FEDER	RACORD	
5	900.276.020	4	PIPE	TUBE	TUBO	ROHR	TUBO	
6	900.276.021	4	PIPE	TUBE	TUBO	ROHR	TUBO	
7	900.102.269	8	BOLT	BOULON	BULLONE	SCHRAUBBOLZEN	BULON	
8	900.104.039	16	WASHER	RONDELLE	RONDELLA	ZWISCHENSCHIEBE	ARANDELA	
9	900.211.153	4	VALVE	VALVE	VALVOLA	VENTILE	VALVULA	
10	900.245.019	2	VALVE	VALVE	VALVOLA	VENTILE	VALVULA	
11	900.275.003	2	CYLINDER	VERIN	CILINDRO	ZYLINDER	CILINDRO	
12	900.275.004	2	CYLINDER	VERIN	CILINDRO	ZYLINDER	CILINDRO	
13	900.105.015	8	GREASE NIPPLE	GRAISSEUR	INGRASSATORE	SCHMIERNIPPEL	ENGRASADOR	
14	900.211.196	2	PIN	TOURILLON	PERNO	STIFT	PERNO	
15	900.211.195	2	PIN	TOURILLON	PERNO	STIFT	PERNO	
16	900.211.187	2	BUSH	COQUILLE	BOCCOLA	BUCHSE	CASQUILLO	
17	900.211.186	2	BUSH	COQUILLE	BOCCOLA	BUCHSE	CASQUILLO	
18	900.104.104.T	4	WASHER	RONDELLE	RONDELLA	ZWISCHENSCHIEBE	ARANDELA	
19	900.103.127.T	4	NUT	ECROU	DADO	MUTTER	TUERCA	
20	900.102.290.T	2	SCREW	VIS	VITE	SCHRAUBE	TORNILLO	
21	900.102.186.T	2	SCREW	VIS	VITE	SCHRAUBE	TORNILLO	
22	900.104.072.T	8	WASHER	RONDELLE	RONDELLA	ZWISCHENSCHIEBE	ARANDELA	
23	900.103.108.T	4	NUT	ECROU	DADO	MUTTER	TUERCA	
24	900.276.031	4	SUPPORT JACK	SUPPORT EMBR.	SUPPORTO INNESTO	STUETZE VERBIND.	SOPORTE CON.	
25	900.276.032	12	CLAMP	BORNE A VIS	MORSETTO	KLEMME	TERMINAL	
26	900.102.341.T	6	SCREW	VIS	VITE	SCHRAUBE	TORNILLO	
27	900.104.052.T	6	WASHER	RONDELLE	RONDELLA	ZWISCHENSCHIEBE	ARANDELA	
28	900.103.020.T	6	NUT	ECROU	DADO	MUTTER	TUERCA	
29	900.276.033	6	PLATE	PLAQUE	PIASTRA	PLATTE	PLACA	