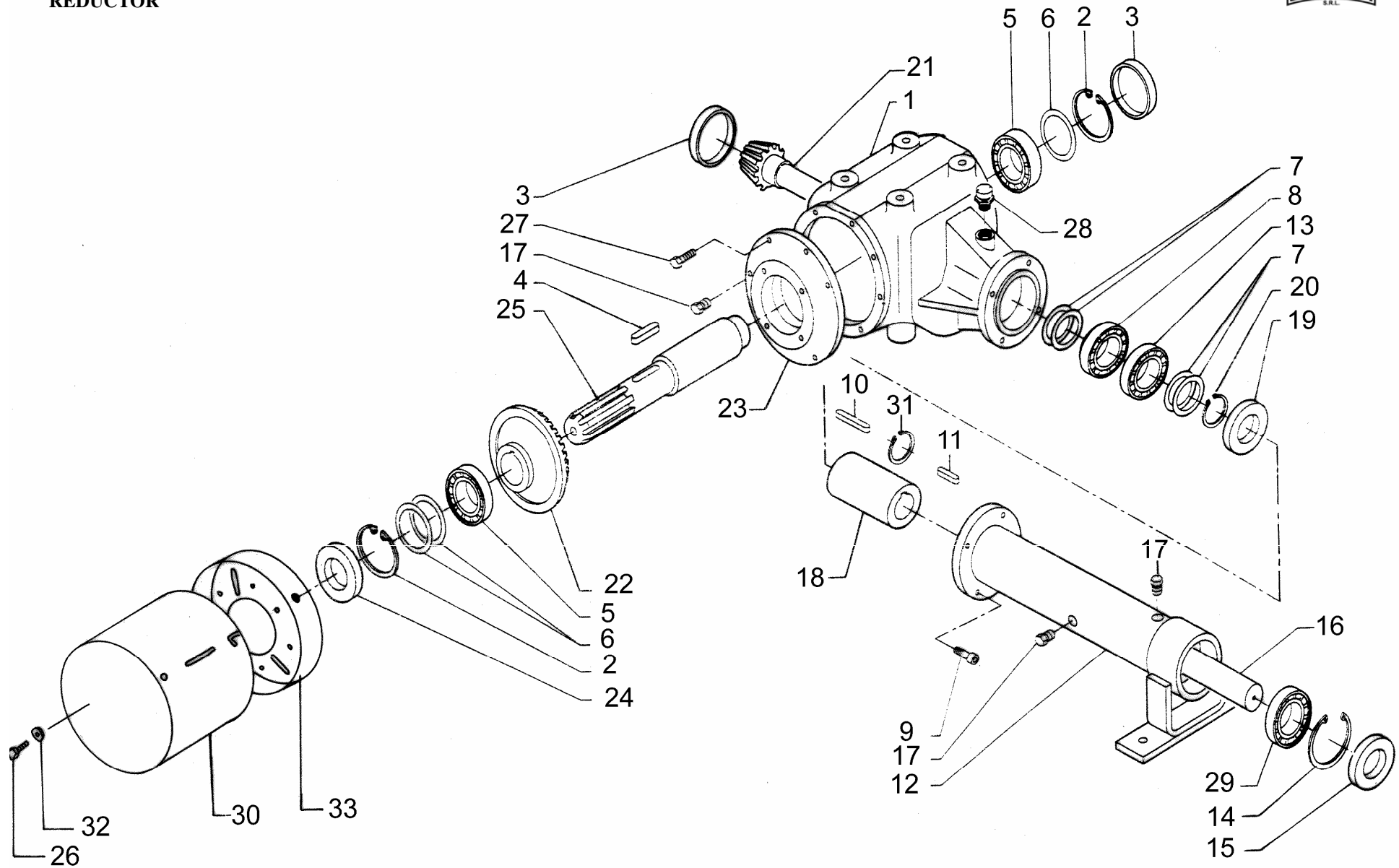


GEARBOX  
BOITE DE VITESSE  
GRUPPO  
GETRIEBE  
REDUCTOR

FM-2



H-5-2-0

## H-5-2-0

| REF | CODE        | QTY | ENGLISH      | FRANÇAIS       | ITALIANO      | DEUTSCH         | ESPAÑOL      | NOTE    |
|-----|-------------|-----|--------------|----------------|---------------|-----------------|--------------|---------|
| 1   | 900.240.250 | 1   | CASE         | BOITE          | SCATOLA       | KISTE           | CAJA         | 180-220 |
| 2   | 900.106.011 | 2   | CIRCLIP      | SERFLEX        | SEEGER        | SEEGER          | SEEGER       |         |
| 3   | 900.240.253 | 2   | LID          | COUVERCLE      | COPERCHIO     | DECKEL          | TAPA         |         |
| 4   | 900.105.029 | 1   | KEY          | CLAVETTE       | CHIAVETTA     | KEIL            | CHAVETA      |         |
| 5   | 900.100.033 | 2   | BEARING      | ROULEMENT      | CUSCINETTO    | KUGELLAGER      | COJINETE     |         |
| 6   | 900.107.066 | 2   | SHIM         | EPAISSEUR REG. | SPESSORE REG. | STAERKE         | ESPEJOR REG. |         |
| 7   | 900.107.048 | 2   | SHIM         | EPAISSEUR REG. | SPESSORE REG. | STAERKE         | ESPEJOR REG. |         |
| 8   | 900.100.020 | 1   | BEARING      | ROULEMENT      | CUSCINETTO    | KUGELLAGER      | COJINETE     | 120-160 |
| 8   | 900.100.037 | 1   | BEARING      | ROULEMENT      | CUSCINETTO    | KUGELLAGER      | COJINETE     | 180-220 |
| 9   | 900.102.005 | 4   | SCREW        | VIS            | VITE          | SCHRAUBE        | TORNILLO     | 120-160 |
| 9   | 900.102.206 | 4   | SCREW        | VIS            | VITE          | SCHRAUBE        | TORNILLO     | 180-220 |
| 10  | 900.105.004 | 1   | KEY          | CLAVETTE       | CHIAVETTA     | KEIL            | CHAVETA      | 120-160 |
| 10  | 900.105.044 | 1   | KEY          | CLAVETTE       | CHIAVETTA     | KEIL            | CHAVETA      | 180-220 |
| 11  | 900.105.003 | 1   | KEY          | CLAVETTE       | CHIAVETTA     | KEIL            | CHAVETA      | 120-160 |
| 11  | 900.105.005 | 1   | KEY          | CLAVETTE       | CHIAVETTA     | KEIL            | CHAVETA      | 180-220 |
| 12  | 900.240.268 | 1   | TUBE         | TUBE           | CANNOTTO      | ROHR            | TUBO         | 120     |
| 12  | 900.240.266 | 1   | TUBE         | TUBE           | CANNOTTO      | ROHR            | TUBO         | 140-160 |
| 12  | 900.240.256 | 1   | TUBE         | TUBE           | CANNOTTO      | ROHR            | TUBO         | 180-200 |
| 12  | 900.240.257 | 1   | TUBE         | TUBE           | CANNOTTO      | ROHR            | TUBO         | 220     |
| 13  | 900.100.008 | 1   | BEARING      | ROULEMENT      | CUSCINETTO    | KUGELLAGER      | COJINETE     |         |
| 14  | 900.106.012 | 1   | CIRCLIP      | SERFLEX        | SEEGER        | SEEGER          | SEEGER       | 120-160 |
| 14  | 900.106.005 | 1   | CIRCLIP      | SERFLEX        | SEEGER        | SEEGER          | SEEGER       | 180-220 |
| 15  | 900.101.009 | 1   | OIL SEAL     | PARE-HUILE     | PARAOLIO      | SIMMERRING      | PARA-ACEITE  | 120-160 |
| 15  | 900.101.076 | 1   | OIL SEAL     | PARE-HUILE     | PARAOLIO      | SIMMERRING      | PARA-ACEITE  | 180-220 |
| 16  | 900.240.007 | 1   | SHAFT        | ARBRE          | ALBERO        | WELLE           | EJE          | 120     |
| 16  | 900.240.267 | 1   | SHAFT        | ARBRE          | ALBERO        | WELLE           | EJE          | 140-160 |
| 16  | 900.240.258 | 1   | SHAFT        | ARBRE          | ALBERO        | WELLE           | EJE          | 180-200 |
| 16  | 900.240.259 | 1   | SHAFT        | ARBRE          | ALBERO        | WELLE           | EJE          | 220     |
| 17  | 900.102.079 | 3   | PLUG         | BOUCHON        | TAPPO         | DECKEL          | TAPON        |         |
| 18  | 900.240.265 | 1   | BUSH         | COQUILLE       | BOCCOLA       | BUCHSE          | CASQUILLO    | 120-160 |
| 18  | 900.240.255 | 1   | BUSH         | COQUILLE       | BOCCOLA       | BUCHSE          | CASQUILLO    | 180-220 |
| 19  | 900.101.009 | 1   | OIL SEAL     | PARE-HUILE     | PARAOLIO      | SIMMERRING      | PARA-ACEITE  |         |
| 20  | 900.106.013 | 1   | CIRCLIP      | SERFLEX        | SEEGER        | SEEGER          | SEEGER       |         |
| 21  | 900.234.091 | 1   | PINION       | PIGNON         | PIGNONE       | RITZEL          | PINON        | 120-160 |
| 21  | 900.240.254 | 1   | PINION       | PIGNON         | PIGNONE       | RITZEL          | PINON        | 180-220 |
| 22  | 900.234.090 | 1   | CROWN        | COURONNE       | CORONA        | TELLERRAD       | CORONA       | 120-160 |
| 22  | 900.240.251 | 1   | CROWN        | COURONNE       | CORONA        | TELLERRAD       | CORONA       | 180-220 |
| 23  | 900.240.263 | 1   | LID          | COUVERCLE      | COPERCHIO     | DECKEL          | TAPA         | 120-160 |
| 23  | 900.240.252 | 1   | LID          | COUVERCLE      | COPERCHIO     | DECKEL          | TAPA         | 180-220 |
| 24  | 900.101.066 | 1   | OIL SEAL     | PARE-HUILE     | PARAOLIO      | SIMMERRING      | PARA-ACEITE  |         |
| 25  | 900.240.260 | 1   | SHAFT        | ARBRE          | ALBERO        | WELLE           | EJE          |         |
| 26  | 900.102.256 | 2   | SCREW        | VIS            | VITE          | SCHRAUBE        | TORNILLO     |         |
| 27  | 900.102.011 | 8   | SCREW        | VIS            | VITE          | SCHRAUBE        | TORNILLO     |         |
| 28  | 900.102.236 | 1   | PLUG         | BOUCHON        | TAPPO         | DECKEL          | TAPON        |         |
| 29  | 900.100.008 | 1   | BEARING      | ROULEMENT      | CUSCINETTO    | KUGELLAGER      | COJINETE     | 120-160 |
| 29  | 900.100.016 | 1   | BEARING      | ROULEMENT      | CUSCINETTO    | KUGELLAGER      | COJINETE     | 180-220 |
| 30  | 900.117.072 | 1   | GUARD        | PROTECTION     | PROTEZIONE    | SCHUTZ          | PROTECCION   |         |
| 31  | 900.106.026 | 1   | CIRCLIP      | SERFLEX        | SEEGER        | SEEGER          | SEEGER       | 180-220 |
| 32  | 900.104.057 | 2   | WASHER       | RONDELLE       | RONDELLA      | ZWISCHENSCHIEBE | ARANDELA     |         |
| 33  | 900.117.070 | 1   | PROT. HOLDER | DISQUE         | FONDELLO      | ZWSCHUTZHALTER  | DISCO        |         |