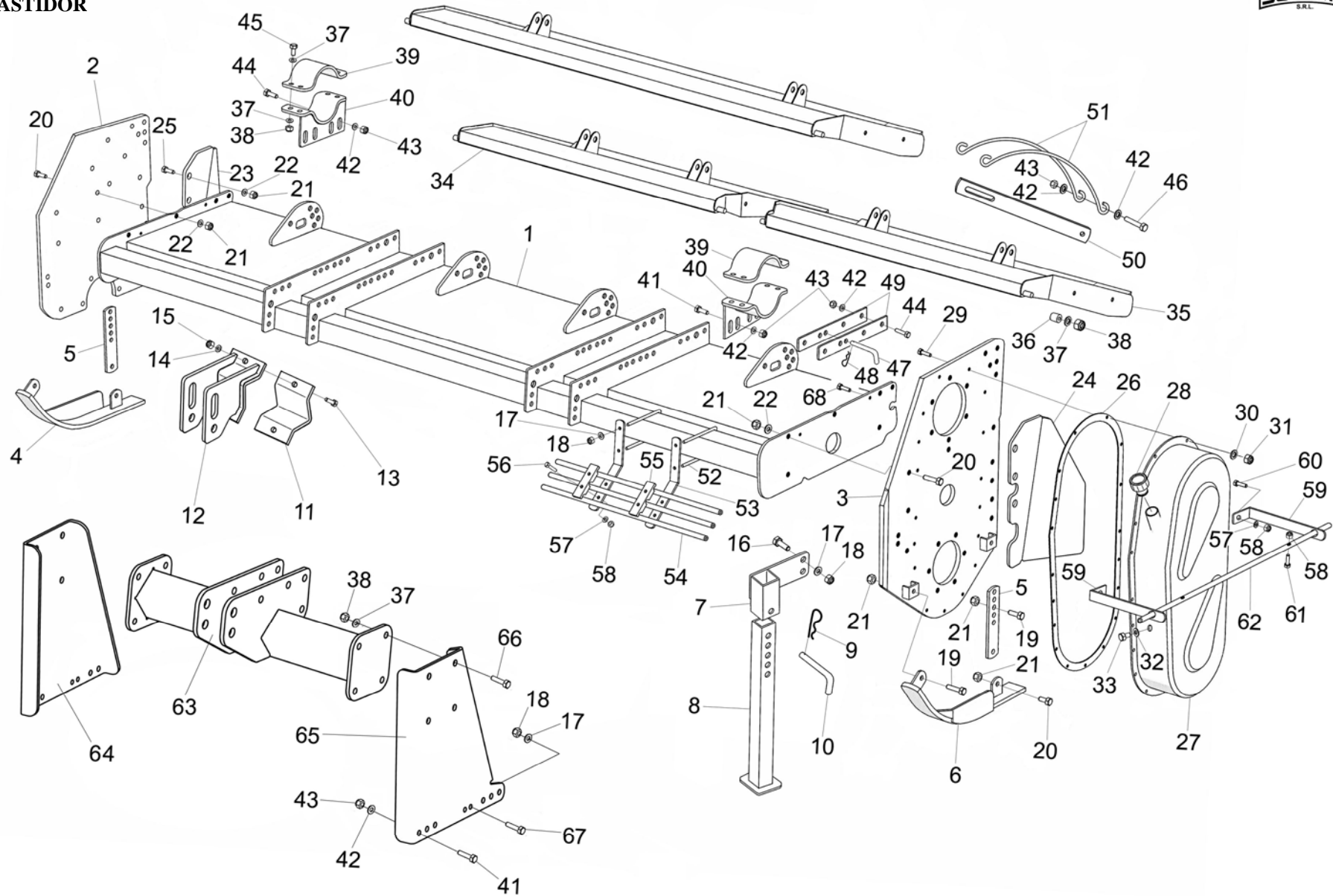


FRAME
CHASSIS
TELAIO
RAHMEN
BASTIDOR

GDT



B-8-1-G

B-8-1-G

REF	CODE	QTY	ENGLISH	FRANÇAIS	ITALIANO	DEUTSCH	ESPAÑOL	NOTE
1	900.142.236	1	FRAME	CHASSIS	TELAIO	RAHMEN	BASTIDOR	230
1	900.142.237	1	FRAME	CHASSIS	TELAIO	RAHMEN	BASTIDOR	250
1	900.142.238	1	FRAME	CHASSIS	TELAIO	RAHMEN	BASTIDOR	280
1	900.142.239	1	FRAME	CHASSIS	TELAIO	RAHMEN	BASTIDOR	300
2	900.142.231	1	SIDE	FLANC	FIANCO	SEITE	FLANCO	
3	900.142.230	1	PLATE	PLAQUE	PIASTRA	PLATTE	PLACA	
4	900.115.032	1	SKID	PATIN	SLITTA	KUFE	CORREDERA	
5	900.115.011	2	ROD	TIGE	ASTA	STANGE	VARILLA	
6	900.115.033	1	SKID	PATIN	SLITTA	KUFE	CORREDERA	
7	900.142.240	1	SUPPORT	SUPPORT	SUPPORTO	STUETZE	SOPORTE	
8	900.238.001	1	STAND	SUPPORT	SOSTEGNO	STUETZE	SOPORTE	
9	900.108.005	1	SPLIT PIN R 3	GOUPILLE R 3	COPIGLIA R 3	ARRETIERUNG R 3	PASADOR R 3	
10	900.207.008	1	PIN	CHEVILLE	SPINA	DORN	CLAVIJA	
11	900.116.119	2	FLASK	MOULE	STAFFA	KLAUE	PLETINA	
12	900.116.117	2	HITCH	ATTELAGE	ATTACCO	ANBAU	ENGANCHE	
13	900.102.154	4	SCREW M 18x50	VIS M 18x50	VITE M 18x50	SCHRAUBE M 18x50	TORNILLO M 18x50	
14	900.104.113	4	WASHER GROWER 18 R	RONDELLE GROWER 18 R	RONDELLA GROWER 18 R	ZWISCHENSCH. GROWER 18 R	ARANDELA GROWER 18 R	
15	900.103.017	4	NUT M 18	ECROU M 18	DADO M 18	MUTTER M 18	TUERCA M 18	
16	900.102.102	2	SCREW M 12x35	VIS M 12x35	VITE M 12x35	SCHRAUBE M 12x35	TORNILLO M 12x35	
17	900.104.046	14	WASHER 12x24	RONDELLE 12x24	RONDELLA 12x24	ZWISCHENSCH. 12x24	ARANDELA 12x24	
18	900.103.019	14	NUT BLOK M12	ECROU BLOK M12	DADO BLOK M12	MUTTER BLOK M12	TUERCA BLOK M12	
19	900.102.031	2	SCREW M14x60	VIS M 14x60	VITE M 14x60	SCHRAUBE M 14x60	TORNILLO M 14x60	
20	900.102.027	14	SCREW M 14x35	VIS M 14x35	VITE M 14x35	SCHRAUBE M 14x35	TORNILLO M 14x35	
21	900.103.005	24	NUT M 14	ECROU M 14	DADO M 14	MUTTER M 14	TUERCA M 14	
22	900.104.061	18	WASHER GROWER 14 R	RONDELLE GROWER 14 R	RONDELLA GROWER 14 R	ZWISCHENSCH. GROWER 14 R	ARANDELA GROWER 14 R	
23	900.142.232	1	LAND COVER	TOLE PARE-TERRE	LAMIERA PARATERRA	BLECH BODEN-SCHUTZT	CHAPA PARA-TIERRA	
24	900.142.233	1	LAND COVER	TOLE PARE-TERRE	LAMIERA PARATERRA	BLECH BODEN-SCHUTZT	CHAPA PARA-TIERRA	
25	900.102.028	6	SCREW M 14x40	VIS M 14x40	VITE M 14x40	SCHRAUBE M 14x40	TORNILLO M 14x40	
26	900.139.114	1	GASKET	JOINT	GUARNIZIONE	DICHTUNG	JUNTA	
27	900.113.024.0	1	COVER	CARTER	CARTER	GEHAUSE	CARTER	
28	900.102.050	1	PLUG	BOUCHON	TAPPO	DECKEL	TAPON	
29	900.102.008	18	SCREW M 8x25	VIS M 8x25	VITE M 8x25	SCHRAUBE M 8x25	TORNILLO M 8x25	
30	900.104.002	18	WASHER DENT. 8	RONDELLE DENT. 8	RONDELLA DENT. 8	ZWISCHENSCH. DENT. 8	ARANDELA DENT. 8	
31	900.103.001	18	NUT M 8	ECROU M 8	DADO M 8	MUTTER M 8	TUERCA M 8	
32	900.104.009	1	WASHER 10x16x1.5 AL	RONDELLE 10x16x1.5 AL	RONDELLA 10x16x1.5 AL	ZWISCHENSCH. 10x16x1.5 AL	ARANDELA 10x16x1.5 AL	
33	900.102.009	1	SCREW M 10x10	VIS M 10x10	VITE M 10x10	SCHRAUBE M 10x10	TORNILLO M 10x10	
34	900.114.133	1	SHIELD R	CAPOT D	COFANO DX	HAUBE R	CARCASA D	230
34	900.114.135	1	SHIELD R	CAPOT D	COFANO DX	HAUBE R	CARCASA D	250
34	900.114.137	1	SHIELD R	CAPOT D	COFANO DX	HAUBE R	CARCASA D	280
34	900.114.139	1	SHIELD R	CAPOT D	COFANO DX	HAUBE R	CARCASA D	300
35	900.114.134	1	SHIELD L	CAPOT G	COFANO SX	HAUBE L	CARCASA I	230
35	900.114.136	1	SHIELD L	CAPOT G	COFANO SX	HAUBE L	CARCASA I	250
35	900.114.138	1	SHIELD L	CAPOT G	COFANO SX	HAUBE L	CARCASA I	280
35	900.114.140	1	SHIELD L	CAPOT G	COFANO SX	HAUBE L	CARCASA I	300
36	900.211.028	2	BUSH	COQUILLE	BOCCOLA	BUCHSE	CASQUILLO	
37	900.104.043	26	WASHER 17x30x3	RONDELLE 17x30x3	RONDELLA 17x30x3	ZWISCHENSCH. 17x30x3	ARANDELA 17x30x3	
38	900.103.023	18	NUT BLOK M16	ECROU BLOK M 16	DADO BLOK M16	MUTTER BLOK M16	TUERCA BLOK M16	
39	900.116.106	2	FLASK	MOULE	STAFFA	KLAUE	PLETINA	
40	900.116.118	2	FLASK	MOULE	STAFFA	KLAUE	PLETINA	
41	900.102.096	16	SCREW M 14x40	VIS M 14x40	VITE M 14x40	SCHRAUBE M 14x40	TORNILLO M 14x40	
42	900.104.044	44	WASHER 15x28x2.5	RONDELLE 15x28x2.5	RONDELLA 15x28x2.5	ZWISCHENSCH. 15x28x2.5	ARANDELA 15x28x2.5	

B-8-1-G

REF	CODE	QTY	ENGLISH	FRANÇAIS	ITALIANO	DEUTSCH	ESPAÑOL	NOTE
43	900.103.021	36	NUT BLOK M 14	ECROU BLOK M14	DADO BLOK M14	MUTTER BLOK M14	TUERCA BLOK M14	
44	900.102.112	12	SCREW M 14x45	VIS M 14x45	VITE M 14x45	SCHRAUBE M 14x45	TORNILLO M 14x45	
45	900.102.235	8	SCREW M 16x50	VIS M 16x50	VITE M 16x50	SCHRAUBE M 16x50	TORNILLO M 16x50	
46	900.102.255	8	SCREW M 14x65	VIS M 14x65	VITE M 14x65	SCHRAUBE M 14x65	TORNILLO M 14x65	
47	900.114.044	4	PIN	TOURILLON	PERNO	STIFT	PERNO	
48	900.108.006	1	SPLIT PIN R 4	GOUPILLE R 4	COPIGLIA R 4	ARRETIERUNG R 4	PASADOR R 4	
49	900.114.130	8	ROD	TIGE	ASTA	STANGE	VARILLA	
50	900.114.131	4	ROD	TIGE	ASTA	STANGE	VARILLA	
51	900.114.132	8	SHIELD SPRING	RESSORT CAPOT	MOLLA COFANO	FEDER HAUBE	MUELLE CARCASA	
52	900.116.115	4	U-BOLT	MANILLE	CAVALLOTTO	U-BOLZEN	SOPORTE	
53	900.117.103	4	FLASK	MOULE	STAFFA	KLAUE	PLETINA	
54	900.117.109	6	GUARD	PROTECTION	PROTEZIONE	SCHUTZ	PROTECCION	230
54	900.117.110	6	GUARD	PROTECTION	PROTEZIONE	SCHUTZ	PROTECCION	250
54	900.117.111	6	GUARD	PROTECTION	PROTEZIONE	SCHUTZ	PROTECCION	280
54	900.117.112	6	GUARD	PROTECTION	PROTEZIONE	SCHUTZ	PROTECCION	300
55	900.117.104	4	FLASK	MOULE	STAFFA	KLAUE	PLETINA	
56	900.102.171	8	SCREW M 10x55	VIS M 10x55	VITE M 10x55	SCHRAUBE M 10x55	TORNILLO M 10x55	
57	900.104.045	12	WASHER 10.5x21x2	RONDELLE 10.5x21x2	RONDELLA 10.5x21x2	ZWISCHENSC. 10.5x21x2	ARANDELA 10.5x21x2	
58	900.103.018	16	NUT BLOK M 10	ECROU BLOK M 10	DADO BLOK M 10	MUTTER BLOK M 10	TUERCA BLOK M 10	
59	900.117.102.1	4	SUPPORT	SUPPORT	SUPPORTO	STUETZE	SOPORTE	
60	900.102.100	4	SCREW M 10x30	VIS M 10x30	VITE M 10x30	SCHRAUBE M 10x30	TORNILLO M 10x30	
61	900.102.169	4	SCREW M 10x40	VIS M 10x40	VITE M 10x40	SCHRAUBE M 10x40	TORNILLO M 10x40	
62	900.117.107	2	GUARD	PROTECTION	PROTEZIONE	SCHUTZ	PROTECCION	
63	900.116.124	1	HITCH	ATTELAGE	ATTACCO	ANBAU	ENGANCHE	
64	900.116.125	1	SIDE R	FLANC D	FIANCO DX	SEITE R	FLANCO D	
65	900.116.126	1	SIDE L	FLANC G	FIANCO SX	SEITE L	FLANCO I	
66	900.102.095	8	SCREW M 16x40	VIS M 16x40	VITE M 16x40	SCHRAUBE M 16x40	TORNILLO M 16x40	
67	900.102.102	4	SCREW M 12x35	VIS M 12x35	VITE M 12x35	SCHRAUBE M 12x35	TORNILLO M 12x35	
68	900.102.156	2	SCREW M 8x35	VIS M 8x35	VITE M 8x35	SCHRAUBE M 8x35	TORNILLO M 8x35	