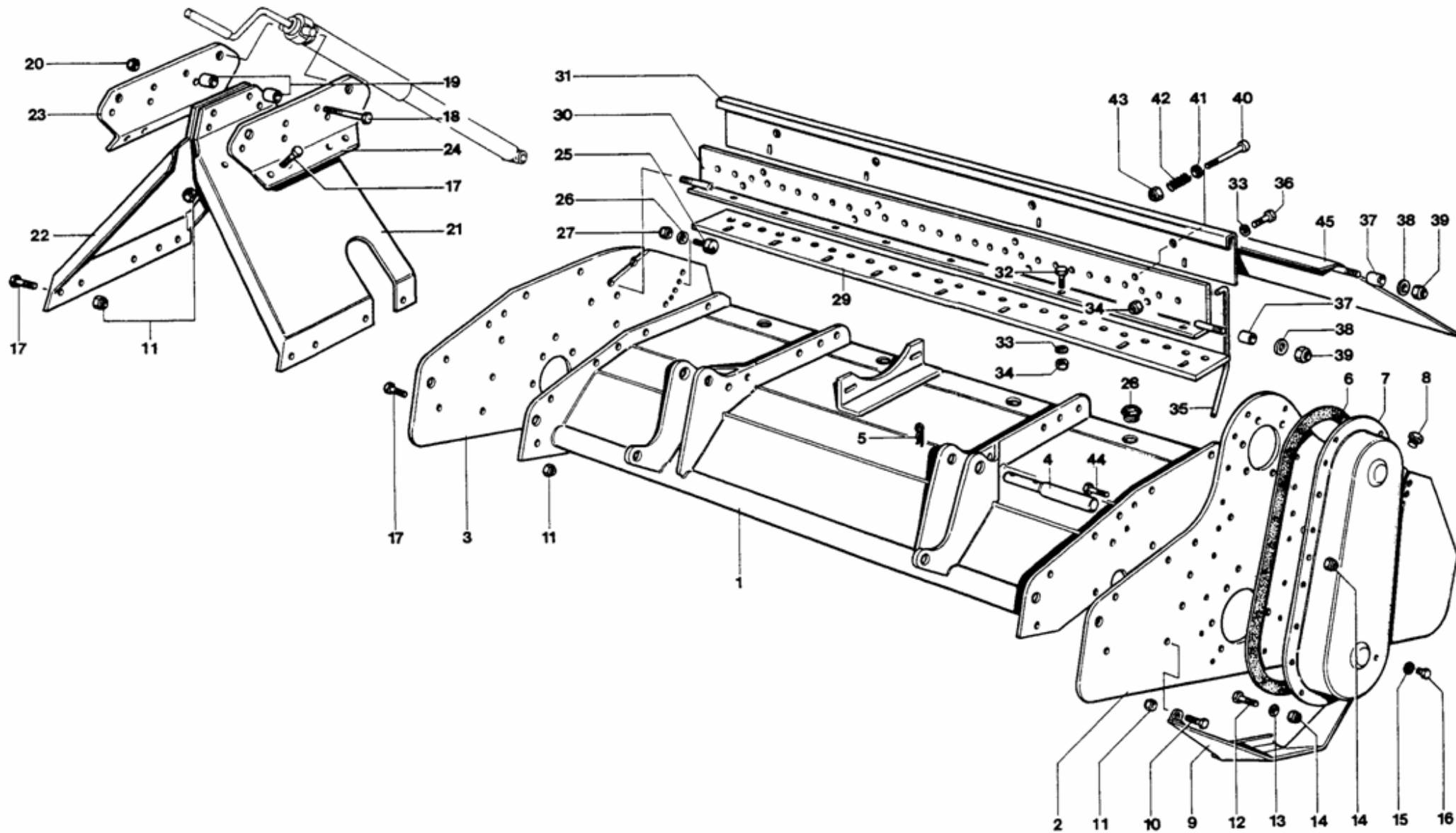


FRAME  
CHASSIS  
TELAIO  
RAHMEN  
BASTIDOR

INT



B-7-1-0

**B-7-1-0**

REF	CODE	QTY	ENGLISH	FRANÇAIS	ITALIANO	DEUTSCH	ESPAÑOL	NOTE
1	900.142.203	1	FRAME	CHASSIS	TELAIO	RAHMEN	BASTIDOR	120
1	900.142.204	1	FRAME	CHASSIS	TELAIO	RAHMEN	BASTIDOR	140
1	900.142.205	1	FRAME	CHASSIS	TELAIO	RAHMEN	BASTIDOR	160
1	900.142.206	1	FRAME	CHASSIS	TELAIO	RAHMEN	BASTIDOR	180
1	900.142.207	1	FRAME	CHASSIS	TELAIO	RAHMEN	BASTIDOR	200
2	900.142.201	1	PLATE	PLAQUE	PIASTRA	PLATTE	PLACA	
3	900.142.200	1	SIDE	FLANC	FIANCO	SEITE	FLANCO	
4	900.116.033	2	PIN	TOURILLON	PERNO	STIFT	PERNO	
5	900.108.006	2	SPLIT PIN	GOUPILLE	COPIGLIA	ARRETIERUNG	PASADOR	
6	900.139.036	1	GASKET	JOINT	GUARNIZIONE	DICHTUNG	JUNTA	
7	900.113.026	1	COVER	CARTER	CARTER	GEHAEUSE	CARTER	
8	900.102.049	1	PLUG	BOUCHON	TAPPO	DECKEL	TAPON	
9	900.115.026	1	GUARD	PROTECTION	PROTEZIONE	SCHUTZ	PROTECCION	
10	900.102.026	2	SCREW	VIS	VITE	SCHRAUBE	TORNILLO	
11	900.103.021	34	NUT	ECROU	DADO	MUTTER	TUERCA	
12	900.102.007	14	SCREW	VIS	VITE	SCHRAUBE	TORNILLO	
13	900.104.002	17	WASHER	RONDELLE	RONDELLA	ZWISCHENSCHIBE	ARANDELA	
14	900.103.001	17	NUT	ECROU	DADO	MUTTER	TUERCA	
15	900.104.009	1	WASHER	RONDELLE	RONDELLA	ZWISCHENSCHIBE	ARANDELA	
16	900.102.009	1	SCREW	VIS	VITE	SCHRAUBE	TORNILLO	
17	900.102.027	32	SCREW	VIS	VITE	SCHRAUBE	TORNILLO	
18	900.102.230	4	SCREW	VIS	VITE	SCHRAUBE	TORNILLO	
19	900.212.154	8	SPACER	ENTRETOISE	DISTANZIALE	ABSTANDSRING	DISTANCIADOR	
20	900.103.019	4	NUT	ECROU	DADO	MUTTER	TUERCA	
21	900.116.097	1	SIDE	FLANC	FIANCO	SEITE	FLANCO	
22	900.116.096	1	SIDE	FLANC	FIANCO	SEITE	FLANCO	
23	900.116.098	1	PLATE	PLAQUE	PIASTRA	PLATTE	PLACA	
24	900.116.099	1	PLATE	PLAQUE	PIASTRA	PLATTE	PLACA	
25	900.234.078	2	SHOCK ABSORVER	AMORTISSEUR	AMMORTIZZATORE	STOSSDAEMPFER	AMORTIGUADOR	
26	900.104.045	2	WASHER	RONDELLE	RONDELLA	ZWISCHENSCHIBE	ARANDELA	
27	900.103.018	2	NUT	ECROU	DADO	MUTTER	TUERCA	
28	900.109.017	4	PLUG	BOUCHON	TAPPO	DECKEL	TAPON	120-140-160
28	900.109.017	6	PLUG	BOUCHON	TAPPO	DECKEL	TAPON	180-200
29	900.141.036	1	ROD	TIGE	ASTA	STANGE	VARILLA	120
29	900.141.037	1	ROD	TIGE	ASTA	STANGE	VARILLA	140
29	900.141.038	1	ROD	TIGE	ASTA	STANGE	VARILLA	160
29	900.141.039	1	ROD	TIGE	ASTA	STANGE	VARILLA	180
29	900.141.040	1	ROD	TIGE	ASTA	STANGE	VARILLA	200
30	900.141.067	1	SUPPORT	SUPPORT	SUPPORTO	STUETZE	SOPORTE	120
30	900.141.068	1	SUPPORT	SUPPORT	SUPPORTO	STUETZE	SOPORTE	140
30	900.141.069	1	SUPPORT	SUPPORT	SUPPORTO	STUETZE	SOPORTE	160
30	900.141.070	1	SUPPORT	SUPPORT	SUPPORTO	STUETZE	SOPORTE	180
30	900.141.071	1	SUPPORT	SUPPORT	SUPPORTO	STUETZE	SOPORTE	200
31	900.141.042	1	COVER	CARTER	CARTER	GEHAEUSE	CARTER	120
31	900.141.043	1	COVER	CARTER	CARTER	GEHAEUSE	CARTER	140
31	900.141.044	1	COVER	CARTER	CARTER	GEHAEUSE	CARTER	160
31	900.141.045	1	COVER	CARTER	CARTER	GEHAEUSE	CARTER	180
31	900.141.046	1	COVER	CARTER	CARTER	GEHAEUSE	CARTER	200
32	900.102.102	-	SCREW	VIS	VITE	SCHRAUBE	TORNILLO	
33	900.104.046	-	WASHER	RONDELLE	RONDELLA	ZWISCHENSCHIBE	ARANDELA	
34	900.103.019	-	SCREW	VIS	VITE	SCHRAUBE	TORNILLO	

**B-7-1-0**

REF	CODE	QTY	ENGLISH	FRANÇAIS	ITALIANO	DEUTSCH	ESPAÑOL	NOTE
35	900.140.100	-	ROD	TIGE	ASTA	STANGE	VARILLA	
36	900.102.115	-	SCREW	VIS	VITE	SCHRAUBE	TORNILLO	
37	900.211.028	4	BUSH	COQUILLE	BOCCOLA	BUCHSE	CASQUILLO	
38	900.104.043	4	WASHER	RONDELLE	RONDELLA	ZWISCHENSCHIEBE	ARANDELA	
39	900.103.023	4	NUT	ECROU	DADO	MUTTER	TUERCA	
40	900.102.204	4	SCREW	VIS	VITE	SCHRAUBE	TORNILLO	120-140-160
40	900.102.204	6	SCREW	VIS	VITE	SCHRAUBE	TORNILLO	180-200
41	900.104.045	-	WASHER	RONDELLE	RONDELLA	ZWISCHENSCHIEBE	ARANDELA	
42	900.211.017.0	4	SPRING	RESSORT	MOLLA	FEDER	MUELLE	120-140-160
42	900.211.017.0	6	SPRING	RESSORT	MOLLA	FEDER	MUELLE	180-200
43	900.103.018	-	NUT	ECROU	DADO	MUTTER	TUERCA	
44	900.102.156	3	SCREW	VIS	VITE	SCHRAUBE	TORNILLO	
45	900.114.071	1	SHIELD	CAPOT	COFANO	HAUBE	CARCASA	120
45	900.114.072	1	SHIELD	CAPOT	COFANO	HAUBE	CARCASA	140
45	900.114.073	1	SHIELD	CAPOT	COFANO	HAUBE	CARCASA	160
45	900.114.074	1	SHIELD	CAPOT	COFANO	HAUBE	CARCASA	180
45	900.114.075	1	SHIELD	CAPOT	COFANO	HAUBE	CARCASA	200