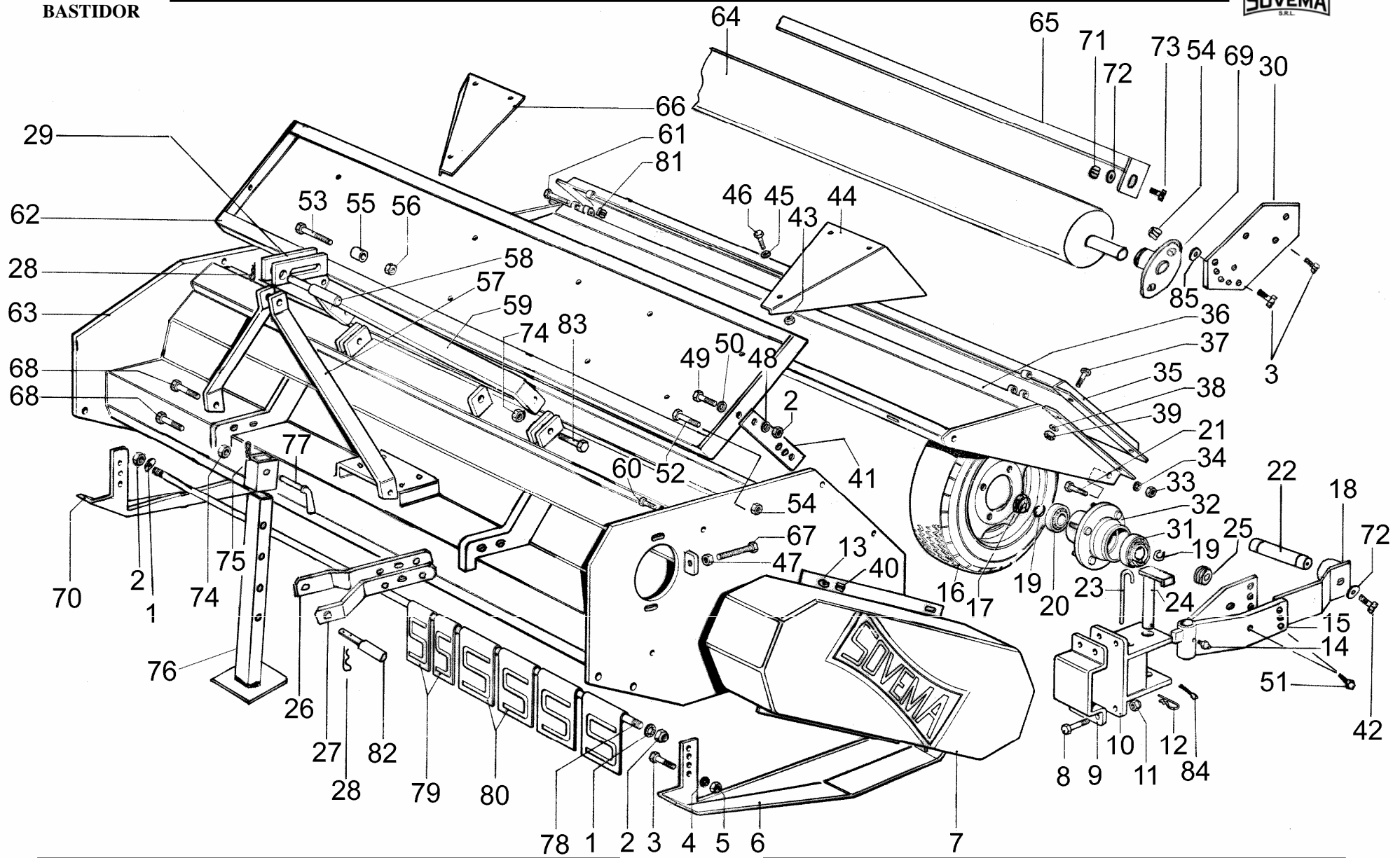


FRAME
CHASSIS
TELAIO
RAHMEN
BASTIDOR

MEC-2



H-6-1-0

H-6-1-0

REF	CODE	QTY	ENGLISH	FRANÇAIS	ITALIANO	DEUTSCH	ESPAÑOL	NOTE
1	900.104.046	2	WASHER	RONDELLE	RONDELLA	ZWISCHENSCHIEBE	ARANDELA	
2	900.103.019.T	6	NUT	ECROU	DADO	MUTTER	TUERCA	
3	900.102.096.T	10	SCREW	VIS	VITE	SCHRAUBE	TORNILLO	
4	900.104.044	4	WASHER	RONDELLE	RONDELLA	ZWISCHENSCHIEBE	ARANDELA	
5	900.103.021.T	4	NUT	ECROU	DADO	MUTTER	TUERCA	
6	900.238.056	1	SKID	PATIN	SLITTA	KUFE	CORREDERA	
7	900.238.003	1	COVER	CARTER	CARTER	GEHAEUSE	CARTER	
8	900.102.097	8	SCREW	VIS	VITE	SCHRAUBE	TORNILLO	
9	900.238.004	2	PLATE	PLAQUE	PIASTRA	PLATTE	PLACA	
10	900.238.233	2	SUPPORT	SUPPORT	SUPPORTO	STUETZE	SOPORTE	
11	900.103.021.T	8	NUT	ECROU	DADO	MUTTER	TUERCA	
12	900.108.005	2	SPLIT PIN	GOUPILLE	COPIGLIA	ARRETIERUNG	PASADOR	
13	900.104.045	4	WASHER	RONDELLE	RONDELLA	ZWISCHENSCHIEBE	ARANDELA	
14	900.105.021	2	GREASE NIPPLE	GRAISSEUR	INGRASSATORE	SCHMIERNIPPEL	ENGRASADOR	
15	900.238.234	2	SUPPORT	SUPPORT	SUPPORTO	STUETZE	SOPORTE	
16	900.238.009	2	WHEEL	ROUE	RUOTA	RAD	RUEDA	
17	900.101.013	2	OIL SEAL	PARE-HUILE	PARAOILIO	SIMMERRING	PARA-ACEITE	
18	900.238.235	4	ARM	BRAS	BRACCIO	ARM	BRAZO	
19	900.106.013	4	CIRCLIP	SERFLEX	SEEGER	SEEGER	SEEGER	
20	900.100.015	2	BEARING	ROULEMENT	CUSCINETTO	KUGELLAGER	COJINETE	
21	900.102.098.T	4	SCREW	VIS	VITE	SCHRAUBE	TORNILLO	
22	900.238.236	2	PIN	TOURILLON	PERNO	STIFT	PERNO	
23	900.238.011	2	BLOCK WHEEL	ARRET-ROUE	FERMO RUOTA	RADBLOCKIERUNG	PARO-RUEDA	
24	900.238.012	2	PIN	TOURILLON	PERNO	STIFT	PERNO	
25	900.101.018	2	OIL SEAL	PARE-HUILE	PARAOILIO	SIMMERRING	PARA-ACEITE	
26	900.238.225	2	ARM	BRAS	BRACCIO	ARM	BRAZO	
27	900.238.226	2	ARM	BRAS	BRACCIO	ARM	BRAZO	
28	900.108.006	3	SPLIT PIN	GOUPILLE	COPIGLIA	ARRETIERUNG	PASADOR	
29	900.238.037	1	TIE ROD	TIRANT	TIRANTE	ZUGSTANGE	TIRANTE	140-200
29	900.238.132	1	TIE ROD	TIRANT	TIRANTE	ZUGSTANGE	TIRANTE	230-290
30	900.240.215	2	PLATE	PLAQUE	PIASTRA	PLATTE	PLACA	
31	900.100.097	2	BEARING	ROULEMENT	CUSCINETTO	KUGELLAGER	COJINETE	
32	900.238.017	2	HUB	MOYEU	MOZZO	NABE	MOZO	
33	900.103.019.T	4	NUT	ECROU	DADO	MUTTER	TUERCA	
34	900.104.046	4	WASHER	RONDELLE	RONDELLA	ZWISCHENSCHIEBE	ARANDELA	
35	900.238.018	1	LID	COUVERCLE	COPERCHIO	DECKEL	TAPA	140
35	900.238.019	1	LID	COUVERCLE	COPERCHIO	DECKEL	TAPA	160
35	900.238.020	1	LID	COUVERCLE	COPERCHIO	DECKEL	TAPA	200
35	900.238.021	1	LID	COUVERCLE	COPERCHIO	DECKEL	TAPA	230
35	900.238.022	1	LID	COUVERCLE	COPERCHIO	DECKEL	TAPA	250
35	900.238.023	1	LID	COUVERCLE	COPERCHIO	DECKEL	TAPA	290
36	900.238.024	1	SHIELD	CAPOT	COFANO	HAUBE	CARCASA	140
36	900.238.025	1	SHIELD	CAPOT	COFANO	HAUBE	CARCASA	160
36	900.238.026	1	SHIELD	CAPOT	COFANO	HAUBE	CARCASA	200
36	900.238.027	1	SHIELD	CAPOT	COFANO	HAUBE	CARCASA	230
36	900.238.028	1	SHIELD	CAPOT	COFANO	HAUBE	CARCASA	250
36	900.238.029	1	SHIELD	CAPOT	COFANO	HAUBE	CARCASA	290
37	900.102.100.T	4	SCREW	VIS	VITE	SCHRAUBE	TORNILLO	
38	900.104.045	4	WASHER	RONDELLE	RONDELLA	ZWISCHENSCHIEBE	ARANDELA	
39	900.103.018.T	4	NUT	ECROU	DADO	MUTTER	TUERCA	
40	900.103.018.T	4	NUT	ECROU	DADO	MUTTER	TUERCA	

H-6-1-0

REF	CODE	QTY	ENGLISH	FRANÇAIS	ITALIANO	DEUTSCH	ESPAÑOL	NOTE
41	900.238.227	2	FLASK	MOULE	STAFFA	KLAUE	PLETINA	
42	900.102.065.T	4	SCREW	VIS	VITE	SCHRAUBE	TORNILLO	
43	900.103.018.T	=	NUT	ECROU	DADO	MUTTER	TUERCA	
44	900.238.053	=	AILERON	AILERON	ALETTONE	FLUEGEL	ALERON	
45	900.104.045	=	WASHER	RONDELLE	RONDELLA	ZWISCHENSCHLEIBE	ARANDELA	
46	900.102.101.T	=	SCREW	VIS	VITE	SCHRAUBE	TORNILLO	
47	900.103.035.T	2	NUT	ECROU	DADO	MUTTER	TUERCA	
48	900.104.046	4	WASHER	RONDELLE	RONDELLA	ZWISCHENSCHLEIBE	ARANDELA	
49	900.102.098.T	4	SCREW	VIS	VITE	SCHRAUBE	TORNILLO	
50	900.104.046	4	WASHER	RONDELLE	RONDELLA	ZWISCHENSCHLEIBE	ARANDELA	
51	900.102.115.T	8	SCREW	VIS	VITE	SCHRAUBE	TORNILLO	
52	900.102.064	4	SCREW	VIS	VITE	SCHRAUBE	TORNILLO	
53	900.102.103	1	SCREW	VIS	VITE	SCHRAUBE	TORNILLO	
54	900.103.021.T	7	NUT	ECROU	DADO	MUTTER	TUERCA	
55	900.238.034	1	SPACER	ENTRETOISE	DISTANZIALE	ABSTANDSRING	DISTANCIADOR	
56	900.103.106.T	1	NUT	ECROU	DADO	MUTTER	TUERCA	
57	900.238.050	2	TIE ROD	TIRANT	TIRANTE	ZUGSTANGE	TIRANTE	140-200
57	900.238.051	2	TIE ROD	TIRANT	TIRANTE	ZUGSTANGE	TIRANTE	230/290
58	900.116.028	1	PIN	TOURILLON	PERNO	STIFT	PERNO	
59	900.238.138	1	TIE ROD	TIRANT	TIRANTE	ZUGSTANGE	TIRANTE	140-200
59	900.238.228	1	TIE ROD	TIRANT	TIRANTE	ZUGSTANGE	TIRANTE	230-290
60	900.102.121.T	1	SCREW	VIS	VITE	SCHRAUBE	TORNILLO	
61	900.102.064	3	SCREW	VIS	VITE	SCHRAUBE	TORNILLO	
62	900.238.038	1	SHIELD	CAPOT	COFANO	HAUBE	CARCASA	140
62	900.238.039	1	SHIELD	CAPOT	COFANO	HAUBE	CARCASA	160
62	900.238.040	1	SHIELD	CAPOT	COFANO	HAUBE	CARCASA	200
62	900.238.041	1	SHIELD	CAPOT	COFANO	HAUBE	CARCASA	230
62	900.238.042	1	SHIELD	CAPOT	COFANO	HAUBE	CARCASA	250
62	900.238.043	1	SHIELD	CAPOT	COFANO	HAUBE	CARCASA	290
63	900.238.044	1	FRAME	CHASSIS	TELAIO	RAHMEN	BASTIDOR	140
63	900.238.045	1	FRAME	CHASSIS	TELAIO	RAHMEN	BASTIDOR	160
63	900.238.046	1	FRAME	CHASSIS	TELAIO	RAHMEN	BASTIDOR	200
63	900.238.047	1	FRAME	CHASSIS	TELAIO	RAHMEN	BASTIDOR	230
63	900.238.048	1	FRAME	CHASSIS	TELAIO	RAHMEN	BASTIDOR	250
63	900.238.049	1	FRAME	CHASSIS	TELAIO	RAHMEN	BASTIDOR	290
64	900.238.122	1	ROLLER	ROULEAU	RULLO	WALZE	RODILLO	140
64	900.238.123	1	ROLLER	ROULEAU	RULLO	WALZE	RODILLO	160
64	900.238.124	1	ROLLER	ROULEAU	RULLO	WALZE	RODILLO	200
64	900.238.125	1	ROLLER	ROULEAU	RULLO	WALZE	RODILLO	230
64	900.238.126	1	ROLLER	ROULEAU	RULLO	WALZE	RODILLO	250
64	900.238.127	1	ROLLER	ROULEAU	RULLO	WALZE	RODILLO	290
65	900.238.116	1	SCRAPER	RACLEUR	RASCHIARULLO	WALZENSCHABER	RASCARODILLO	140
65	900.238.117	1	SCRAPER	RACLEUR	RASCHIARULLO	WALZENSCHABER	RASCARODILLO	160
65	900.238.118	1	SCRAPER	RACLEUR	RASCHIARULLO	WALZENSCHABER	RASCARODILLO	200
65	900.238.119	1	SCRAPER	RACLEUR	RASCHIARULLO	WALZENSCHABER	RASCARODILLO	230
65	900.238.120	1	SCRAPER	RACLEUR	RASCHIARULLO	WALZENSCHABER	RASCARODILLO	250
65	900.238.121	1	SCRAPER	RACLEUR	RASCHIARULLO	WALZENSCHABER	RASCARODILLO	290
66	900.238.052	=	AILERON	AILERON	ALETTONE	FLUEGEL	ALERON	
67	900.102.182.T	1	SCREW	VIS	VITE	SCHRAUBE	TORNILLO	
68	900.102.086	6	SCREW	VIS	VITE	SCHRAUBE	TORNILLO	
69	900.100.030	2	SUPPORT	SUPPORT	SUPPORTO	STUETZE	SOPORTE	

H-6-1-0

REF	CODE	QTY	ENGLISH	FRANÇAIS	ITALIANO	DEUTSCH	ESPAÑOL	NOTE
70	900.238.055	1	SKID	PATIN	SLITTA	KUFE	CORREDERA	
71	900.103.019.T	2	NUT	ECROU	DADO	MUTTER	TUERCA	
72	900.104.046	2	WASHER	RONDELLE	RONDELLA	ZWISCHENSCHIEBE	ARANDELA	
73	900.102.098.T	2	SCREW	VIS	VITE	SCHRAUBE	TORNILLO	
74	900.103.106.T	8	NUT	ECROU	DADO	MUTTER	TUERCA	
75	900.108.005	1	SPLIT PIN	GOUPILLE	COPIGLIA	ARRETIERUNG	PASADOR	
76	900.238.001	1	STAND	SUPPORT	SOSTEGNO	STUETZE	SOPORTE	
77	900.207.008	1	PIN	CHEVILLE	SPINA	DORN	CLAVIJA	
78	900.238.057	1	ROD	TIGE	ASTA	STANGE	VARILLA	140
78	900.238.058	1	ROD	TIGE	ASTA	STANGE	VARILLA	160
78	900.251.054	1	ROD	TIGE	ASTA	STANGE	VARILLA	200
78	900.238.060	1	ROD	TIGE	ASTA	STANGE	VARILLA	230
78	900.238.061	1	ROD	TIGE	ASTA	STANGE	VARILLA	250
78	900.238.062	1	ROD	TIGE	ASTA	STANGE	VARILLA	290
79	900.238.063	=	FLAP	AILETTE	ALETTA	SCHUTZLAMELLE	ALETA	
80	900.238.064	=	FLAP	AILETTE	ALETTA	SCHUTZLAMELLE	ALETA	
81	900.103.021.T	2	NUT	ECROU	DADO	MUTTER	TUERCA	
82	900.116.033	2	PIN	TOURILLON	PERNO	STIFT	PERNO	
83	900.102.105	2	SCREW	VIS	VITE	SCHRAUBE	TORNILLO	
84	900.108.027	2	SPLIT PIN	GOUPILLE	COPIGLIA	ARRETIERUNG	PASADOR	
85	900.104.044	4	WASHER	RONDELLE	RONDELLA	ZWISCHENSCHIEBE	ARANDELA	