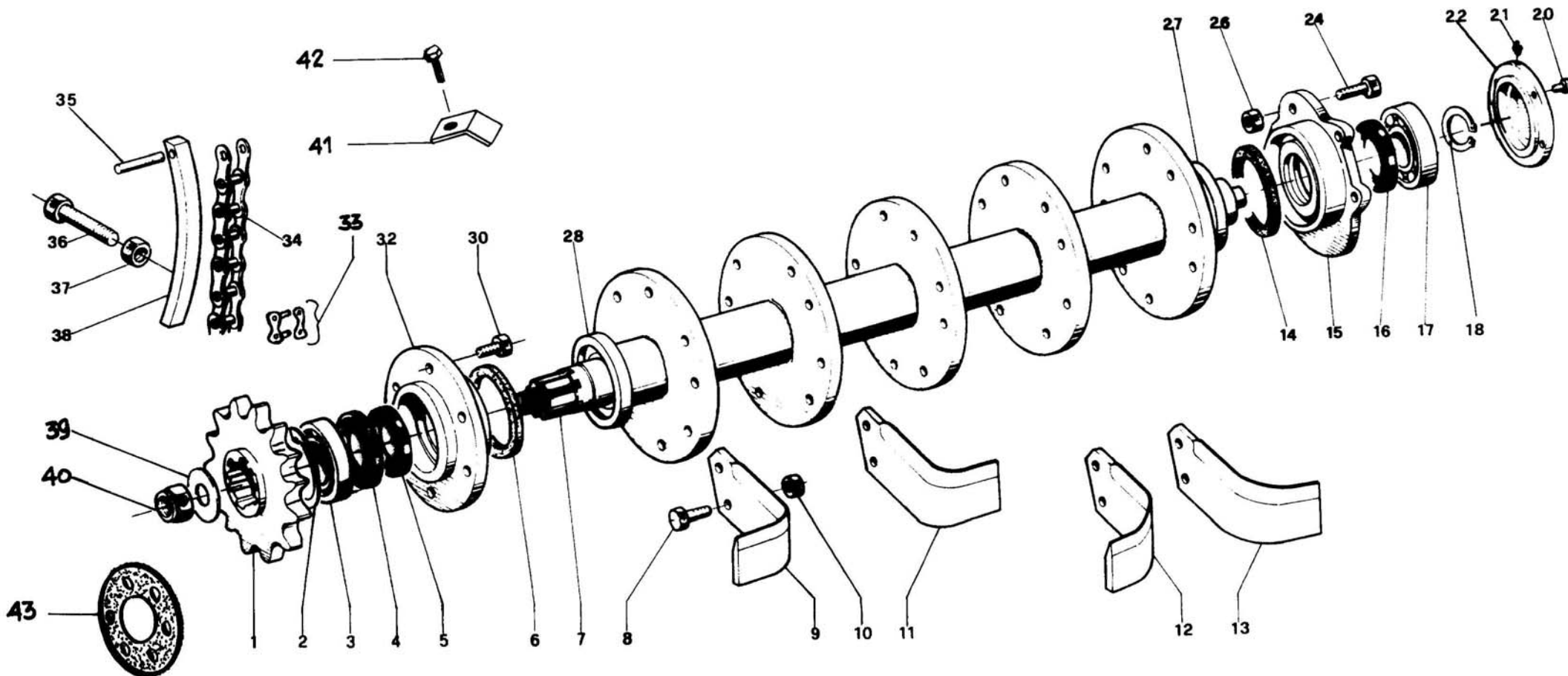


ROTOR  
ROTOR  
ROTORE  
ROTOR  
ROTOR

# RB-2 da Matr. 52901



### B-1-3-1

| REF | CODE        | QTY | ENGLISH       | FRANÇAIS   | ITALIANO     | DEUTSCH         | ESPAÑOL       | NOTE    |
|-----|-------------|-----|---------------|------------|--------------|-----------------|---------------|---------|
| 1   | 900.112.059 | 1   | PINION        | PIGNON     | PIGNONE      | RITZEL          | PINON         |         |
| 2   | 900.106.005 | 1   | CIRCLIP       | SERFLEX    | SEEGER       | SEEGER          | SEEGER        |         |
| 3   | 900.100.009 | 1   | BEARING       | ROULEMENT  | CUSCINETTO   | KUGELLAGER      | COJINETE      |         |
| 4   | 900.101.001 | 1   | OIL SEAL      | PARE-HUILE | PARAOLIO     | SIMMERRING      | PARA-ACEITE   |         |
| 5   | 900.101.001 | 1   | OIL SEAL      | PARE-HUILE | PARAOLIO     | SIMMERRING      | PARA-ACEITE   |         |
| 6   | 900.107.022 | 1   | RING          | ANNEAU     | ANELLO       | RING            | ANILLO        |         |
| 7   | 900.110.111 | 1   | ROTOR         | ROTOR      | ROTORE       | ROTOR           | ROTOR         | 80      |
| 7   | 900.110.112 | 1   | ROTOR         | ROTOR      | ROTORE       | ROTOR           | ROTOR         | 90      |
| 7   | 900.110.113 | 1   | ROTOR         | ROTOR      | ROTORE       | ROTOR           | ROTOR         | 100     |
| 7   | 900.110.114 | 1   | ROTOR         | ROTOR      | ROTORE       | ROTOR           | ROTOR         | 110     |
| 7   | 900.110.115 | 1   | ROTOR         | ROTOR      | ROTORE       | ROTOR           | ROTOR         | 120     |
| 7   | 900.110.116 | 1   | ROTOR         | ROTOR      | ROTORE       | ROTOR           | ROTOR         | 130     |
| 7   | 900.110.117 | 1   | ROTOR         | ROTOR      | ROTORE       | ROTOR           | ROTOR         | 140     |
| 7   | 900.110.118 | 1   | ROTOR         | ROTOR      | ROTORE       | ROTOR           | ROTOR         | 150     |
| 8   | 900.102.044 | --  | SCREW         | VIS        | VITE         | SCHRAUBE        | TORNILLO      |         |
| 9   | 900.111.020 | --  | BLADE         | LAME       | ZAPPETTA     | MESSER          | AZADA         |         |
| 10  | 900.103.028 | --  | NUT           | ECROU      | DADO         | MUTTER          | TUERCA        |         |
| 11  | 900.111.019 | --  | BLADE         | LAME       | ZAPPETTA     | MESSER          | AZADA         |         |
| 12  | 900.111.014 | --  | BLADE         | LAME       | ZAPPETTA     | MESSER          | AZADA         |         |
| 13  | 900.111.013 | --  | BLADE         | LAME       | ZAPPETTA     | MESSER          | AZADA         |         |
| 14  | 900.107.022 | 1   | RING          | ANNEAU     | ANELLO       | RING            | ANILLO        |         |
| 15  | 900.110.013 | 1   | SUPPORT       | SUPPORT    | SUPPORTO     | STUETZE         | SOPORTE       |         |
| 16  | 900.101.001 | 1   | OIL SEAL      | PARE-HUILE | PARAOLIO     | SIMMERRING      | PARA-ACEITE   |         |
| 17  | 900.100.016 | 1   | BEARING       | ROULEMENT  | CUSCINETTO   | KUGELLAGER      | COJINETE      |         |
| 18  | 900.106.003 | 1   | CIRCLIP       | SERFLEX    | SEEGER       | SEEGER          | SEEGER        |         |
| 20  | 900.102.203 | 4   | SCREW         | VIS        | VITE         | SCHRAUBE        | TORNILLO      |         |
| 21  | 900.105.007 | 1   | GREASE NIPPLE | GRAISSEUR  | INGRASSATORE | SCHMIERNIPPEL   | ENGRASADOR    |         |
| 22  | 900.110.023 | 1   | CLAMPING      | CHAPEAU    | CAPPELOTTO   | KAPPE           | CAPUCHON      |         |
| 24  | 900.102.020 | 4   | SCREW         | VIS        | VITE         | SCHRAUBE        | TORNILLO      |         |
| 26  | 900.103.050 | 10  | NUT           | ECROU      | DADO         | MUTTER          | TUERCA        |         |
| 27  | 900.110.019 | 1   | RING          | ANNEAU     | ANELLO       | RING            | ANILLO        |         |
| 28  | 900.110.019 | 1   | RING          | ANNEAU     | ANELLO       | RING            | ANILLO        |         |
| 30  | 900.102.020 | 6   | SCREW         | VIS        | VITE         | SCHRAUBE        | TORNILLO      |         |
| 32  | 900.110.015 | 1   | SUPPORT       | SUPPORT    | SUPPORTO     | STUETZE         | SOPORTE       |         |
| 33  | 900.112.034 | 1   | JOINT         | JOINT      | GIUNTO       | GELENK          | UNION         |         |
| 34  | 900.112.033 | 1   | CHAIN         | CHAINE     | CATENA       | KETTE           | CADENA        |         |
| 35  | 900.113.014 | 1   | PIN           | TOURILLON  | PERNO        | STIFT           | PERNO         |         |
| 36  | 900.102.084 | 1   | SCREW         | VIS        | VITE         | SCHRAUBE        | TORNILLO      |         |
| 37  | 900.103.036 | 1   | NUT           | ECROU      | DADO         | MUTTER          | TUERCA        |         |
| 38  | 900.113.022 | 1   | STRETCHER     | TENDEUR    | TENDICATENA  | KETTENSANNER    | TENSOR CADENA |         |
| 39  | 900.104.013 | 1   | WASHER        | RONDELLE   | RONDELLA     | ZWISCHENSCHIEBE | ARANDELA      |         |
| 40  | 900.103.030 | 1   | RING NUT      | EMBOUT     | GHIERA       | NUTMUTTER       | CASQUILLO     | > 53690 |
| 41  | 900.110.043 | 2   | SCRAPER       | RACLEUR    | RASCHIARULLO | WALZENSCHABER   | RASCARODILLO  |         |
| 42  | 900.102.010 | 2   | SCREW         | VIS        | VITE         | SCHRAUBE        | TORNILLO      |         |
| 43  | 900.139.004 | 1   | GASKET        | JOINT      | GUARNIZIONE  | DICHTUNG        | JUNTA         |         |