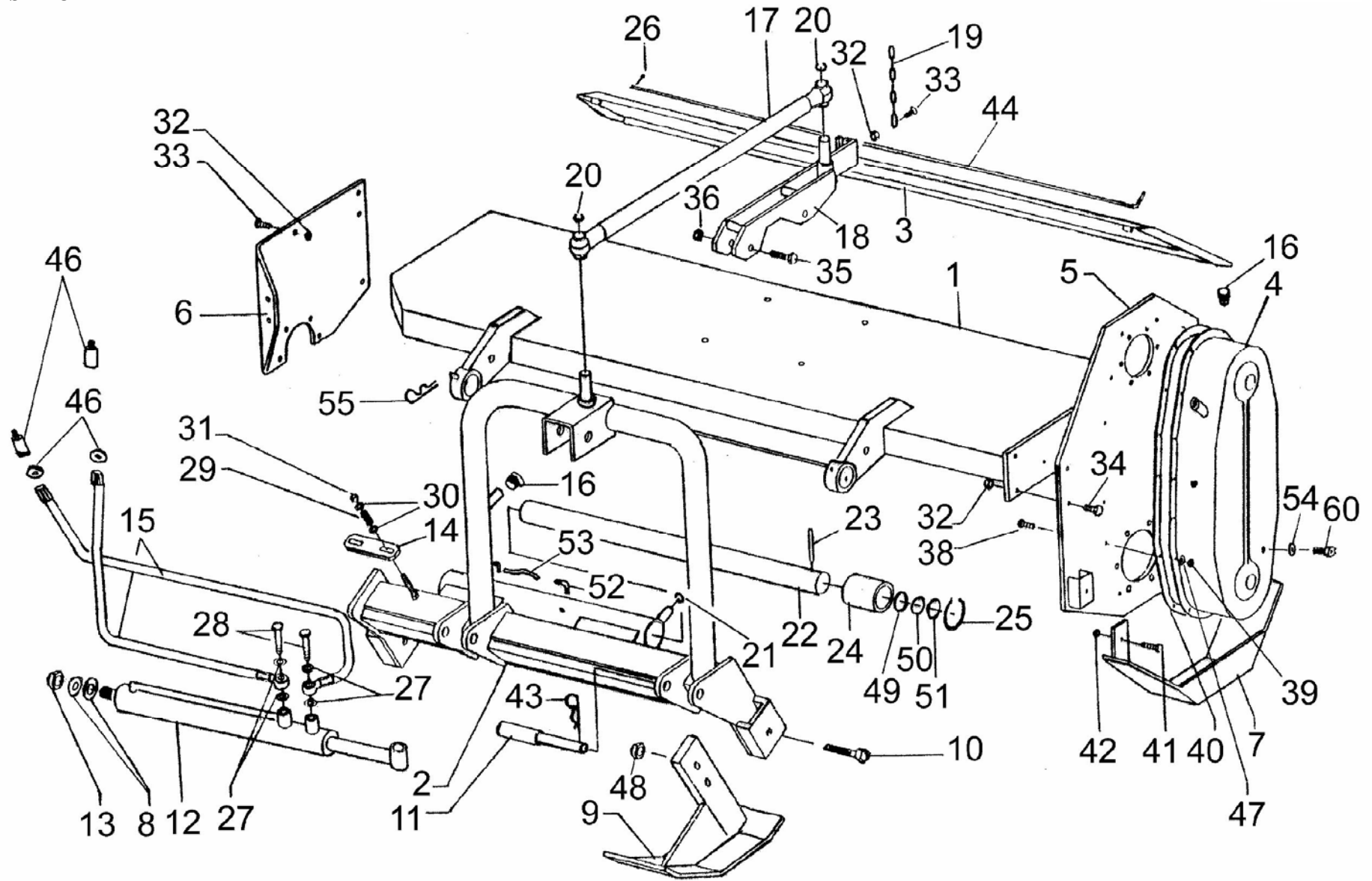


FRAME
CHASSIS
TELAIO
RAHMEN
BASTIDOR

ROC



D-1-1-0

D-1-1-0

REF	CODE	QTY	ENGLISH	FRANÇAIS	ITALIANO	DEUTSCH	ESPAÑOL	NOTE
1	900.142.175	1	FRAME	CHASSIS	TELAIO	RAHMEN	BASTIDOR	120
1	900.142.176	1	FRAME	CHASSIS	TELAIO	RAHMEN	BASTIDOR	140
1	900.142.177	1	FRAME	CHASSIS	TELAIO	RAHMEN	BASTIDOR	160
1	900.142.178	1	FRAME	CHASSIS	TELAIO	RAHMEN	BASTIDOR	180
1	900.142.179	1	FRAME	CHASSIS	TELAIO	RAHMEN	BASTIDOR	200
2	900.236.021	1	FRONT FRAME	CHASSIS AV.	TELAIO ANT.	FRONTGEHAEUSE	BASTIDOR ANT.	
3	900.114.008	1	SHIELD	CAPOT	COFANO	HAUBE	CARCASA	120
3	900.114.009	1	SHIELD	CAPOT	COFANO	HAUBE	CARCASA	140
3	900.114.006	1	SHIELD	CAPOT	COFANO	HAUBE	CARCASA	160
3	900.114.010	1	SHIELD	CAPOT	COFANO	HAUBE	CARCASA	180
3	900.114.011	1	SHIELD	CAPOT	COFANO	HAUBE	CARCASA	200
4	900.113.004	1	COVER	CARTER	CARTER	GEHAEUSE	CARTER	
5	900.142.027	1	PLATE	PLAQUE	PIASTRA	PLATTE	PLACA	
6	900.236.014	1	SIDE	FLANC	FIANCO	SEITE	FLANCO	
7	900.236.052	1	GUARD	PROTECTION	PROTEZIONE	SCHUTZ	PROTECCION	
8	900.236.049	1	SPRING	RESSORT	MOLLA	FEDER	MUELLE	
9	900.236.015	2	SKID	PATIN	SLITTA	KUFE	CORREDERA	
10	900.102.084	2	SCREW	VIS	VITE	SCHRAUBE	TORNILLO	
11	900.116.033	2	PIN	TOURILLON	PERNO	STIFT	PERNO	
12	900.236.066	1	CYLINDER	VERIN	CILINDRO	ZYLINDER	CILINDRO	
13	900.103.023	1	NUT	ECROU	DADO	MUTTER	TUERCA	
14	900.236.050	1	STOP	ARRET	ARRESTO	STOP	PARO	
15	900.236.065	2	PIPE	TUBE	TUBO	ROHR	TUBO	
16	900.102.050	2	PLUG	BOUCHON	TAPPO	DECKEL	TAPON	
17	900.236.019	1	TIE ROD	TIRANT	TIRANTE	ZUGSTANGE	TIRANTE	
18	900.236.018	1	HITCH	ATTELAGE	ATTACCO	ANBAU	ENGANCHE	
19	900.114.015	1	CHAIN	CHAINE	CATENA	KETTE	CADENA	
20	900.106.017	2	CIRCLIP	SERFLEX	SEEGER	SEEGER	SEEGER	
21	900.106.024	1	CIRCLIP	SERFLEX	SEEGER	SEEGER	SEEGER	
22	900.120.076	1	SLIDING	GLISSEMENT	SCORRIMENTO	GLEITEN	DESPLAZAMIENTO	
23	900.108.012	1	ELASTIC PIN	CHEVILLE EL.	SPINA ELASTICA	ELAST. DORN	CLAVIJA EL.	
24	900.236.056	2	BUSH	COQUILLE	BOCCOLA	BUCHSE	CASQUILLO	
25	900.106.032	2	CIRCLIP	SERFLEX	SEEGER	SEEGER	SEEGER	
26	900.108.001	1	SPLIT PIN	GOUPILLE	COPIGLIA	ARRETIERUNG	PASADOR	
27	900.104.033	4	WASHER	RONDELLE	RONDELLA	ZWISCHENSCHLEIBE	ARANDELA	
28	900.102.162	2	BOLT	BOULON	BULLONE	SCHRAUBBOLZEN	BULON	
29	900.236.068	1	SPRING	RESSORT	MOLLA	FEDER	MUELLE	
30	900.104.010	3	WASHER	RONDELLE	RONDELLA	ZWISCHENSCHLEIBE	ARANDELA	
31	900.103.019	3	NUT	ECROU	DADO	MUTTER	TUERCA	
32	900.103.050	10	NUT	ECROU	DADO	MUTTER	TUERCA	
33	900.102.217	6	SCREW	VIS	VITE	SCHRAUBE	TORNILLO	
34	900.102.019	5	SCREW	VIS	VITE	SCHRAUBE	TORNILLO	
35	900.102.084	2	SCREW	VIS	VITE	SCHRAUBE	TORNILLO	
36	900.103.023	2	NUT	ECROU	DADO	MUTTER	TUERCA	
38	900.102.007	17	SCREW	VIS	VITE	SCHRAUBE	TORNILLO	
39	900.103.001	17	NUT	ECROU	DADO	MUTTER	TUERCA	
40	900.139.036	1	GASKET	JOINT	GUARNIZIONE	DICHTUNG	JUNTA	
41	900.102.030	2	SCREW	VIS	VITE	SCHRAUBE	TORNILLO	
42	900.103.005	2	NUT	ECROU	DADO	MUTTER	TUERCA	
43	900.108.006	2	SPLIT PIN	GOUPILLE	COPIGLIA	ARRETIERUNG	PASADOR	

D-1-1-0

REF	CODE	QTY	ENGLISH	FRANÇAIS	ITALIANO	DEUTSCH	ESPAÑOL	NOTE
44	900.114.017	1	PIN	CHEVILLE	SPINA	DORN	CLAVIJA	120
44	900.114.019	1	PIN	CHEVILLE	SPINA	DORN	CLAVIJA	140
44	900.114.020	1	PIN	CHEVILLE	SPINA	DORN	CLAVIJA	160
44	900.114.021	1	PIN	CHEVILLE	SPINA	DORN	CLAVIJA	180
44	900.114.022	1	PIN	CHEVILLE	SPINA	DORN	CLAVIJA	200
45	900.237.174	2	JACK	EMBRAYAGE	INNESTO	VERBINDEN	CONEXION	
46	900.104.033	2	WASHER	RONDELLE	RONDELLA	ZWISCHENSCHIEBE	ARANDELA	
47	900.104.002	17	WASHER	RONDELLE	RONDELLA	ZWISCHENSCHIEBE	ARANDELA	
48	900.103.023	2	NUT	ECROU	DADO	MUTTER	TUERCA	
49	900.237.269	2	RING	ANNEAU	ANELLO	RING	ANILLO	
50	900.101.084	2	OIL SEAL	PARE-HUILE	PARAOILIO	SIMMERRING	PARA-ACEITE	
51	900.101.083	2	DUST SCRAPER	RACLEUR POUSS.	RASCHIAPOLVERE	STAUBSCHABER	RASCA-POLVO	
52	900.236.046	2	FITTING	RACCORD	RACCORDO	FEDER	RACORD	
53	900.236.067	1	PIPE	TUBE	TUBO	ROHR	TUBO	
54	900.104.009	1	WASHER	RONDELLE	RONDELLA	ZWISCHENSCHIEBE	ARANDELA	
55	900.108.005	1	SPLIT PIN	GOUPILLE	COPIGLIA	ARRETIERUNG	PASADOR	
60	900.102.009	1	SCREW	VIS	VITE	SCHRAUBE	TORNILLO	