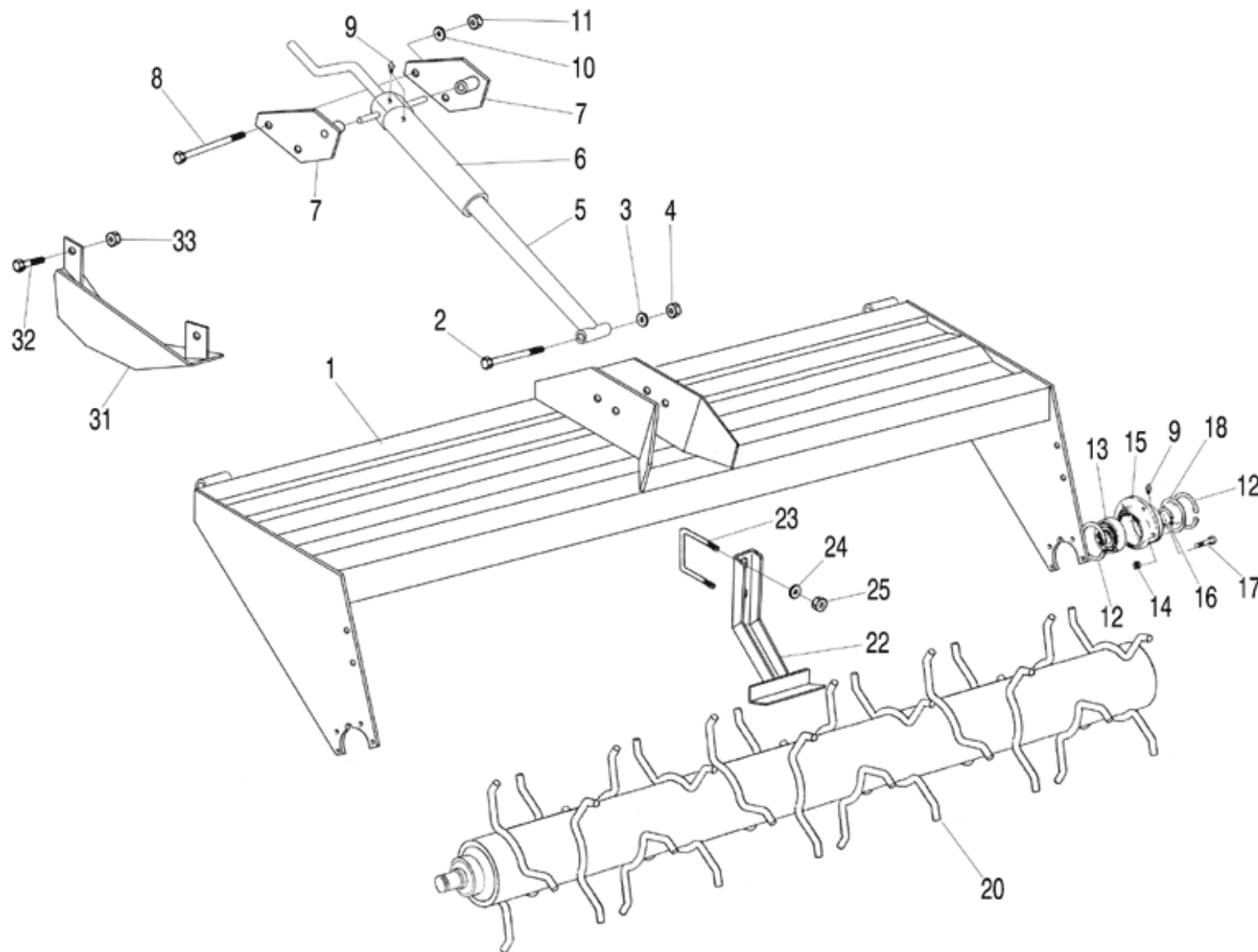


ROLLERS  
ROULEAUX  
RULLI  
RODILLOS  
WALZE

# RP2 RPC-2 RE-2 REC-2



### B-4-4-0

REF	CODE	QTY	ENGLISH	FRANÇAIS	ITALIANO	DEUTSCH	ESPAÑOL	NOTE
1	900.121.013	1	FRAME	CHASSIS	TELAIO	RAHMEN	BASTIDOR	RP/RE 140
1	900.121.014	1	FRAME	CHASSIS	TELAIO	RAHMEN	BASTIDOR	RP/RE 160
1	900.121.015	1	FRAME	CHASSIS	TELAIO	RAHMEN	BASTIDOR	RP/RE 180
1	900.121.016	1	FRAME	CHASSIS	TELAIO	RAHMEN	BASTIDOR	RP/RE 200
1	900.121.017	1	FRAME	CHASSIS	TELAIO	RAHMEN	BASTIDOR	RE 220
2	900.102.042	1	SCREW	VIS	VITE	SCHRAUBE	TORNILLO	
3	900.104.072	1	WASHER	RONDELLE	RONDELLA	ZWISCHENSCHIEBE	ARANDELA	
4	900.103.108	1	NUT	ECROU	DADO	MUTTER	TUERCA	
5	900.121.072	1	EXSTENSION	PROLONGE	PROLUNGA	VERLAENGERUNG	PROLONGACION	
6	900.121.050	1	ADJUST SCREW	VIS DE REGL.	VITE REGISTRO	EINST.SCHRAUBE	TORNILLO REG	
7	900.121.070	2	PLATE	PLAQUE	PIASTRA	PLATTE	PLACA	RP/RPC
7	900.121.071	2	PLATE	PLAQUE	PIASTRA	PLATTE	PLACA	RE/REC
8	900.102.140	2	SCREW	VIS	VITE	SCHRAUBE	TORNILLO	RP/RPC
8	900.102.037	2	SCREW	VIS	VITE	SCHRAUBE	TORNILLO	RE/REC
9	900.105.007	4	GREASE NIPPLE	GRAISSEUR	INGRASSATORE	SCHMIERNIPPEL	ENGRASADOR	
10	900.104.046	2	WASHER	RONDELLE	RONDELLA	ZWISCHENSCHIEBE	ARANDELA	RP/RPC
10	900.104.044	2	WASHER	RONDELLE	RONDELLA	ZWISCHENSCHIEBE	ARANDELA	RE/REC
11	900.103.019	2	NUT	ECROU	DADO	MUTTER	TUERCA	RP/RPC
11	900.103.021	2	NUT	ECROU	DADO	MUTTER	TUERCA	RE/REC
12	900.106.011	4	CIRCLIP	SERFLEX	SEEGER	SEEGER	SEEGER	
13	900.100.015	2	BEARING	ROULEMENT	CUSCINETTO	KUGELLAGER	COJINETE	
14	900.103.002	8	NUT	ECROU	DADO	MUTTER	TUERCA	
15	900.110.051	2	SUPPORT	SUPPORT	SUPPORTO	STUETZE	SOPORTE	
16	900.106.013	2	CIRCLIP	SERFLEX	SEEGER	SEEGER	SEEGER	
17	900.102.012	8	SCREW	VIS	VITE	SCHRAUBE	TORNILLO	
18	900.110.052	2	CLAMPING	CHAPEAU	CAPPELOTTO	KAPPE	CAPUCHON	
20	900.140.005	1	ROLLER	ROULEAU	RULLO	WALZE	RODILLO	RP/RE 140
20	900.140.006	1	ROLLER	ROULEAU	RULLO	WALZE	RODILLO	RP/RE 160
20	900.140.008	1	ROLLER	ROULEAU	RULLO	WALZE	RODILLO	RP/RE 180
20	900.140.009	1	ROLLER	ROULEAU	RULLO	WALZE	RODILLO	RP/RE 200
20	900.140.025	1	ROLLER	ROULEAU	RULLO	WALZE	RODILLO	RE 220
22	900.140.099	-	SCRAPER	RACLEUR	RASCHIARULLO	WALZENSCHABER	RASCARODILLO	
23	900.116.035	-	U-BOLT	MANILLE	CAVALLOTTO	U-BOLZEN	SOPORTE	
24	900.104.010	-	WASHER	RONDELLE	RONDELLA	ZWISCHENSCHIEBE	ARANDELA	
25	900.103.019	-	NUT	ECROU	DADO	MUTTER	TUERCA	
31	900.115.017	1	GUARD	PROTECTION	PROTEZIONE	SCHUTZ	PROTECCION	RP/RPC
31	900.236.052	1	GUARD	PROTECTION	PROTEZIONE	SCHUTZ	PROTECCION	RE/REC
32	900.102.030	2	SCREW	VIS	VITE	SCHRAUBE	TORNILLO	
33	900.103.005	2	NUT	ECROU	DADO	MUTTER	TUERCA	