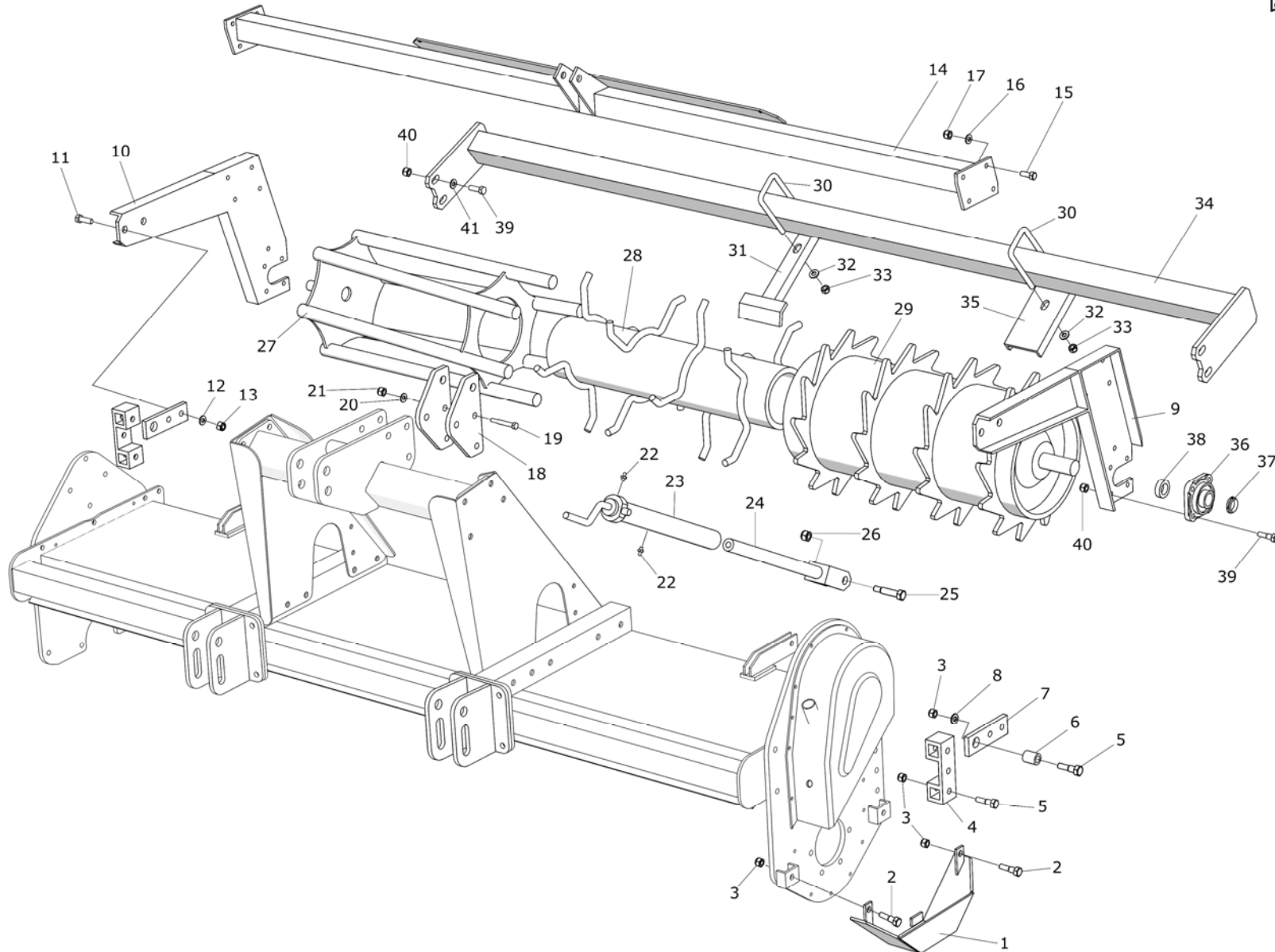


ROLLERS  
ROULEAUX  
RULLI  
RODILLOS  
WALZE

# RTX-2 CRTX-2 RTX-2 SPIKE



B-8-4-0

### B-8-4-0

REF	CODE	QTY	ENGLISH	FRANCAIS	ITALIANO	DEUTSCH	ESPAÑOL	NOTE
1	900.121.062	1	GUARD	PROTECTION	PROTEZIONE	SCHUTZ	PROTECCION	
2	900.102.030	2	SCREW	VIS	VITE	SCHRAUBE	TORNILLO	
3	900.103.005	8	NUT	ECROU	DADO	MUTTER	TUERCA	
4	900.140.047	2	SUPPORT	SUPPORT	SUPPORTO	STUETZE	SOPORTE	
5	900.102.031	6	SCREW	VIS	VITE	SCHRAUBE	TORNILLO	
6	900.120.078	2	BUSH	COQUILLE	BOCCOLA	BUCHSE	CASQUILLO	
7	900.140.056	2	PLATE	PLAT	PIATTO	PLATTE	PLACA	
8	900.104.098	2	WASHER	RONDELLE	RONDELLA	ZWISCHENSCHIBE	ARANDELA	
9	900.140.049.0	1	ARM	BRAS	BRACCIO	ARM	BRAZO	
10	900.140.048.0	1	ARM	BRAS	BRACCIO	ARM	BRAZO	
11	900.102.235	4	SCREW	VIS	VITE	SCHRAUBE	TORNILLO	
12	900.104.043	4	WASHER	RONDELLE	RONDELLA	ZWISCHENSCHIBE	ARANDELA	
13	900.103.023	4	NUT	ECROU	DADO	MUTTER	TUERCA	
14	900.140.015	1	BAR	BARRE	BARRA	STANGE	BARRA	180
14	900.140.016	1	BAR	BARRE	BARRA	STANGE	BARRA	200
14	900.140.017	1	BAR	BARRE	BARRA	STANGE	BARRA	230
14	900.140.018	1	BAR	BARRE	BARRA	STANGE	BARRA	250
14	900.140.020	1	BAR	BARRE	BARRA	STANGE	BARRA	280
14	900.140.019	1	BAR	BARRE	BARRA	STANGE	BARRA	300
15	900.102.102	8	SCREW	VIS	VITE	SCHRAUBE	TORNILLO	
16	900.104.046	8	WASHER	RONDELLE	RONDELLA	ZWISCHENSCHIBE	ARANDELA	
17	900.103.019	8	NUT	ECROU	DADO	MUTTER	TUERCA	
18	900.121.086	2	PLATE	PLAQUE	PIASTRA	PLATTE	PLACA	
19	900.102.154	6	SCREW	VIS	VITE	SCHRAUBE	TORNILLO	
20	900.104.048	6	WASHER	RONDELLE	RONDELLA	ZWISCHENSCHIBE	ARANDELA	
21	900.103.108	6	NUT	ECROU	DADO	MUTTER	TUERCA	
22	900.105.007	2	GREASE NIPPLE	GRAISSEUR	INGRASSATORE	SCHMIERNIPPEL	ENGRASADOR	
23	900.121.050	1	ADJUST SCREW	VIS DE REGL	VITE REGISTRO	EINST.SCHRAUBE	TORNILLO REG	
24	900.121.052	1	EXSTENSION	PROLONGE	PROLUNGA	VERLAENGERUNG	PROLONGACION	
25	900.102.186	1	SCREW	VIS	VITE	SCHRAUBE	TORNILLO	
26	900.103.017	1	NUT	ECROU	DADO	MUTTER	TUERCA	
27	900.140.041	1	ROLLER	ROULEAU	RULLO	WALZE	RODILLO	180
27	900.211.042	1	ROLLER	ROULEAU	RULLO	WALZE	RODILLO	200
27	900.140.043	1	ROLLER	ROULEAU	RULLO	WALZE	RODILLO	230
27	900.211.043	1	ROLLER	ROULEAU	RULLO	WALZE	RODILLO	250
27	900.140.040	1	ROLLER	ROULEAU	RULLO	WALZE	RODILLO	280
27	900.211.044	1	ROLLER	ROULEAU	RULLO	WALZE	RODILLO	300
28	900.140.010	1	ROLLER	ROULEAU	RULLO	WALZE	RODILLO	180
28	900.211.045	1	ROLLER	ROULEAU	RULLO	WALZE	RODILLO	200
28	900.140.011	1	ROLLER	ROULEAU	RULLO	WALZE	RODILLO	230
28	900.211.046	1	ROLLER	ROULEAU	RULLO	WALZE	RODILLO	250
28	900.140.012	1	ROLLER	ROULEAU	RULLO	WALZE	RODILLO	280
28	900.211.047	1	ROLLER	ROULEAU	RULLO	WALZE	RODILLO	300
29	900.140.067	1	ROLLER	ROULEAU	RULLO	WALZE	RODILLO	180
29	900.211.051	1	ROLLER	ROULEAU	RULLO	WALZE	RODILLO	200
29	900.140.069	1	ROLLER	ROULEAU	RULLO	WALZE	RODILLO	230
29	900.211.052	1	ROLLER	ROULEAU	RULLO	WALZE	RODILLO	250
29	900.140.071	1	ROLLER	ROULEAU	RULLO	WALZE	RODILLO	280
29	900.211.053	1	ROLLER	ROULEAU	RULLO	WALZE	RODILLO	300
30	900.116.035	-	U-BOLT	MANILLE	CAVALLOTTO	U-BOLZEN	SOPORTE	
31	900.211.057.0	-	SCRAPER	RACLEUR	RASCHIARULLO	WALZENSCHABER	RASCARODILLO	
32	900.104.046	-	WASHER	RONDELLE	RONDELLA	ZWISCHENSCHIBE	ARANDELA	
33	900.103.019	-	NUT	ECROU	DADO	MUTTER	TUERCA	

### B-8-4-0

REF	CODE	QTY	ENGLISH	FRANÇAIS	ITALIANO	DEUTSCH	ESPAÑOL	NOTE
34	900.140.079	1	BAR	BARRE	BARRA	STANGE	BARRA	180
34	900.140.080	1	BAR	BARRE	BARRA	STANGE	BARRA	200
34	900.140.081	1	BAR	BARRE	BARRA	STANGE	BARRA	230
34	900.140.082	1	BAR	BARRE	BARRA	STANGE	BARRA	250
34	900.140.083	1	BAR	BARRE	BARRA	STANGE	BARRA	280
34	900.140.084	1	BAR	BARRE	BARRA	STANGE	BARRA	300
35	900.210.086	-	SCRAPER	RACLEUR	RASCHIARULLO	WALZENSCHABER	RASCARODILLO	
36	900.100.051	2	SUPPORT	SUPPORT	SUPPORTO	STUETZE	SOPORTE	
37	900.103.069	2	RING NUT	EMBOUT	GHIERA	NUTMUTTER	CASQUILLO	
38	900.107.024	-	SHIM	EPAISSEUR REG.	SPESSORE REG.	STAERKE	ESPESOR REG.	
39	900.102.115	8	SCREW	VIS	VITE	SCHRAUBE	TORNILLO	
40	900.103.019	12	NUT	ECROU	DADO	MUTTER	TUERCA	
41	900.104.046	4	WASHER	RONDELLE	RONDELLA	ZWISCHENSCHIBE	ARANDELA	
42	900.102.288	4	SCREW	VIS	VITE	SCHRAUBE	TORNILLO	