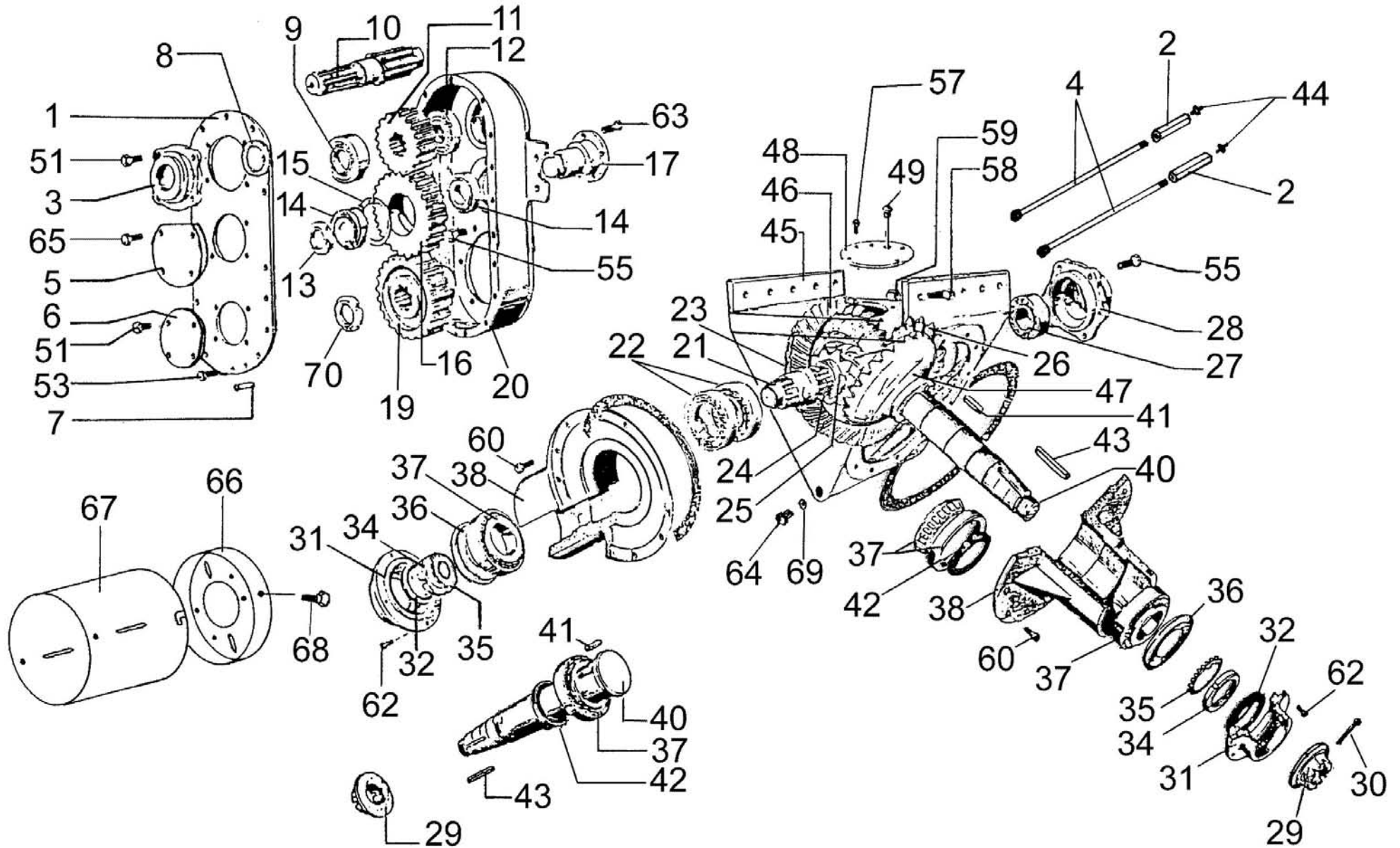


## G-7-2-0

REF	CODE	QTY	ENGLISH	FRANÇAIS	ITALIANO	DEUTSCH	ESPAÑOL	NOTE
1	900.244.513	1	LID	COUVERCLE	COPERCHIO	DECKEL	TAPA	
2	900.237.015	2	FITTING	RACCORD	RACCORDO	FEDER	RACORD	
3	900.244.522	1	SUPPORT	SUPPORT	SUPPORTO	STUETZE	SOPORTE	
4	900.243.222	2	PIPE	TUBE	TUBO	ROHR	TUBO	
5	900.244.523	1	SUPPORT	SUPPORT	SUPPORTO	STUETZE	SOPORTE	
6	900.244.524	1	LID	COUVERCLE	COPERCHIO	DECKEL	TAPA	
7	900.108.030	2	ELASTIC PIN	CHEVILLE EL.	SPINA ELASTICA	ELAST. DORN	CLAVIJA EL.	
8	900.101.005	1	OIL SEAL	PARE-HUILE	PARAOLIO	SIMMERRING	PARA-ACEITE	
9	900.100.059.0	1	BEARING	ROULEMENT	CUSCINETTO	KUGELLAGER	COJINETE	
10	900.244.506	1	SHAFT	ARBRE	ALBERO	WELLE	EJE	
11	900.244.508	1	GEAR	ENGRENAGE	INGRANAGGIO	ZAHNRAD	ENGRANAJE	< 74300
11	900.244.508.0	1	GEAR	ENGRENAGE	INGRANAGGIO	ZAHNRAD	ENGRANAJE	> 74301
12	900.100.034.0	1	BEARING	ROULEMENT	CUSCINETTO	KUGELLAGER	COJINETE	
13	900.103.062	1	RING NUT	EMBOUT	GHIERA	NUTMUTTER	CASQUILLO	
14	900.100.054	2	BEARING	ROULEMENT	CUSCINETTO	KUGELLAGER	COJINETE	
15	900.106.005	1	CIRCLIP	SERFLEX	SEEGER	SEEGER	SEEGER	
16	900.244.509	1	GEAR	ENGRENAGE	INGRANAGGIO	ZAHNRAD	ENGRANAJE	< 74300
16	900.244.509.0	1	GEAR	ENGRENAGE	INGRANAGGIO	ZAHNRAD	ENGRANAJE	> 74301
17	900.244.521	1	PIN	TOURILLON	PERNO	STIFT	PERNO	
19	900.244.510	1	GEAR	ENGRENAGE	INGRANAGGIO	ZAHNRAD	ENGRANAJE	< 74300
19	900.244.510.0	1	GEAR	ENGRENAGE	INGRANAGGIO	ZAHNRAD	ENGRANAJE	> 74301
20	900.244.512	1	CASE	BOITE	SCATOLA	KISTE	CAJA	
21	900.244.505	1	SHAFT	ARBRE	ALBERO	WELLE	EJE	
22	900.100.056	2	BEARING	ROULEMENT	CUSCINETTO	KUGELLAGER	COJINETE	
23	900.244.507	1	BUSH	DOUILLE	BUSSOLA	BUECHSE	GUIA	
24	900.244.518	1	SPACER	ENTRETOISE	DISTANZIALE	ABSTANDSRING	DISTANCIADOR	
25	900.244.501	1	PINION	PIGNON	PIGNONE	RITZEL	PINON	
26	900.244.503	1	PINION	PIGNON	PIGNONE	RITZEL	PINON	
27	900.100.104	1	BEARING	ROULEMENT	CUSCINETTO	KUGELLAGER	COJINETE	
28	900.244.519	1	SUPPORT	SUPPORT	SUPPORTO	STUETZE	SOPORTE	
29	900.103.079	2	NUT	ECROU	DADO	MUTTER	TUERCA	
30	900.108.029	2	SPLIT PIN	GOUPILLE	COPIGLIA	ARRETIERUNG	PASADOR	
31	900.244.515	2	SUPPORT	SUPPORT	SUPPORTO	STUETZE	SOPORTE	
32	900.101.081	2	OIL SEAL	PARE-HUILE	PARAOLIO	SIMMERRING	PARA-ACEITE	DA FEB. 97
34	900.103.078.0	2	RING NUT	EMBOUT	GHIERA	NUTMUTTER	CASQUILLO	
36	900.101.069	2	OIL SEAL	PARE-HUILE	PARAGRASSO	SIMMERRING	PARA-ACEITE	
37	900.100.105	4	BEARING	ROULEMENT	CUSCINETTO	KUGELLAGER	COJINETE	
38	900.244.516	2	HUB	MOYEU	MOZZO	NABE	MOZO	
40	900.244.514	2	SHAFT	ARBRE	ALBERO	WELLE	EJE	
41	900.105.039	6	KEY	CLAVETTE	CHIAVETTA	KEIL	CHAVETA	
42	900.101.067	2	OIL SEAL	PARE-HUILE	PARAOLIO	SIMMERRING	PARA-ACEITE	
43	900.105.040	2	KEY	CLAVETTE	CHIAVETTA	KEIL	CHAVETA	
44	900.105.030	2	GREASE NIPPLE	GRAISSEUR	INGRASSATORE	SCHMIERNIPPEL	ENGRASADOR	
45	900.244.511	1	CASE	BOITE	SCATOLA	KISTE	CAJA	
46	900.244.504	1	CROWN	COURONNE	CORONA	TELLERRAD	CORONA	
47	900.244.502	1	CROWN	COURONNE	CORONA	TELLERRAD	CORONA	
48	900.243.006	1	LID	COUVERCLE	COPERCHIO	DECKEL	TAPA	
49	900.102.157	1	PLUG	BOUCHON	TAPPO	DECKEL	TAPON	
51	900.102.011	4	SCREW	VIS	VITE	SCHRAUBE	TORNILLO	
53	900.102.189.T	12	SCREW	VIS	VITE	SCHRAUBE	TORNILLO	



G-7-2-0

REF	CODE	QTY	ENGLISH	FRANÇAIS	ITALIANO	DEUTSCH	ESPAÑOL	NOTE
55	900.102.020	12	SCREW	VIS	VITE	SCHRAUBE	TORNILLO	
57	900.102.008	4	SCREW	VIS	VITE	SCHRAUBE	TORNILLO	
58	900.102.036	10	SCREW	VIS	VITE	SCHRAUBE	TORNILLO	
59	900.103.023.T	10	NUT	ECROU	DADO	MUTTER	TUERCA	
60	900.102.027	24	SCREW	VIS	VITE	SCHRAUBE	TORNILLO	
62	900.102.203	8	SCREW	VIS	VITE	SCHRAUBE	TORNILLO	
63	900.102.052	4	SCREW	VIS	VITE	SCHRAUBE	TORNILLO	
64	900.102.158	1	PLUG	BOUCHON	TAPPO	DECKEL	TAPON	
65	900.102.012	4	SCREW	VIS	VITE	SCHRAUBE	TORNILLO	
66	900.117.071	1	PROT. HOLDER	DISQUE	FONDELLO	ZWSCHUTZHALTER	DISCO	
67	900.117.073	1	GUARD	PROTECTION	PROTEZIONE	SCHUTZ	PROTECCION	
68	900.102.124.T	3	SCREW	VIS	VITE	SCHRAUBE	TORNILLO	
69	900.104.038	1	WASHER	RONDELLE	RONDELLA	ZWISCHENSCHIEBE	ARANDELA	
70	900.103.082	1	RING NUT	EMBOUT	GHIERA	NUTMUTTER	CASQUILLO	