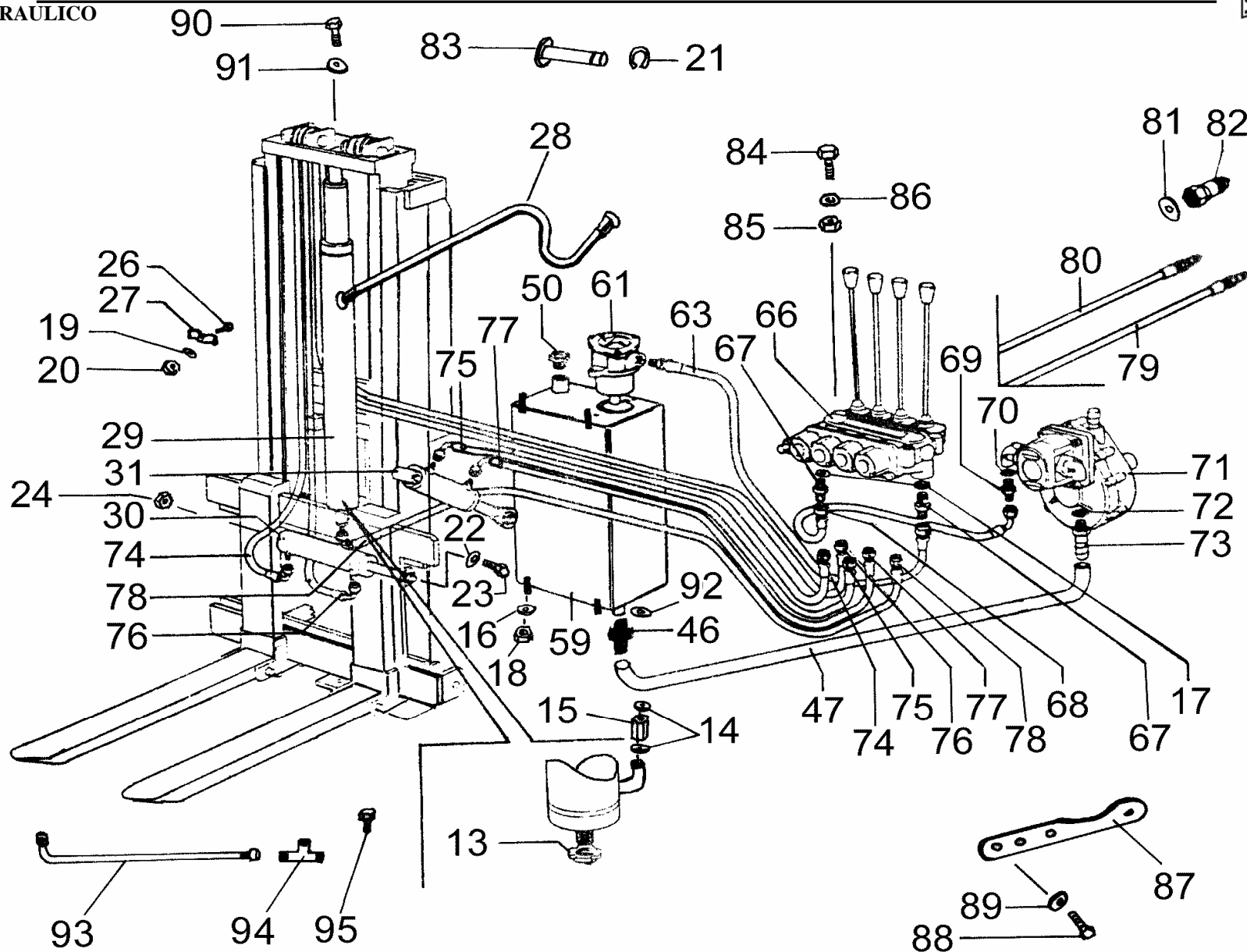


HYDR. SYSTEM  
SYSTEME HYDR.  
SISTEMA IDR.  
HYDR. ANLAGE  
SIST. HIDRAULICO

SFK



L-1-5-0

L-1-5-0

REF	CODE	QTY	ENGLISH	Français	ITALIANO	DEUTSCH	ESPAÑOL	NOTE
13	900.103.023.T	1	NUT	ECROU	DADO	MUTTER	TUERCA	13-17
13	900.103.021.T	1	NUT	ECROU	DADO	MUTTER	TUERCA	15
13	900.103.014	1	RING NUT	EMBOUT	GHIERA	NUTMUTTER	CASQUILLO	20
14	900.104.039	-	WASHER	RONDELLE	RONDELLA	ZWISCHENSCHIEBE	ARANDELA	
15	900.237.107	1	VALVE	VALVE	VALVOLA	VENTILE	VALVULA	
16	900.104.045	2	WASHER	RONDELLE	RONDELLA	ZWISCHENSCHIEBE	ARANDELA	
17	900.104.039	2	WASHER	RONDELLE	RONDELLA	ZWISCHENSCHIEBE	ARANDELA	
18	900.103.018.T	2	NUT	ECROU	DADO	MUTTER	TUERCA	
19	900.104.045	2	WASHER	RONDELLE	RONDELLA	ZWISCHENSCHIEBE	ARANDELA	
20	900.103.018.T	2	NUT	ECROU	DADO	MUTTER	TUERCA	
21	900.106.017	1	CIRCLIP	SERFLEX	SEEGER	SEEGER	SEEGER	15
22	900.104.044	1	WASHER	RONDELLE	RONDELLA	ZWISCHENSCHIEBE	ARANDELA	
23	900.102.188.T	1	SCREW	VIS	VITE	SCHRAUBE	TORNILLO	
24	900.103.023.T	1	NUT	ECROU	DADO	MUTTER	TUERCA	
26	900.102.111.T	2	SCREW	VIS	VITE	SCHRAUBE	TORNILLO	
27	900.237.091	2	CLAMP	BORNE A VIS	MORSETTO	KLEMME	TERMINAL	
28	900.237.170	1	PIPE	TUBE	TUBO	ROHR	TUBO	13-15-17
28	900.237.240	1	PIPE	TUBE	TUBO	ROHR	TUBO	20
29	900.237.121	1	CYLINDER	VERIN	CILINDRO	ZYLINDER	CILINDRO	13-17
29	900.237.237	2	CYLINDER	VERIN	CILINDRO	ZYLINDER	CILINDRO	15
29	900.237.225	2	CYLINDER	VERIN	CILINDRO	ZYLINDER	CILINDRO	20
30	900.237.124	1	CYLINDER	VERIN	CILINDRO	ZYLINDER	CILINDRO	
31	900.237.125	1	CYLINDER	VERIN	CILINDRO	ZYLINDER	CILINDRO	
46	900.237.209	1	NIPPLES	NIPPLES	NIPPLES	NIPPEL	NIPPLES	
47	900.237.136	1	PIPE	TUBE	TUBO	ROHR	TUBO	
59	900.237.147	1	TANK	RESERVOIR	SERBATOIO	TANK	DEPOSITO	
60	900.102.049	1	PLUG	BOUCHON	TAPPO	DECKEL	TAPON	
61	900.237.149	1	FILTER	FILTRE	FILTRO	FILTER	FILTRO	
63	900.237.148	1	PIPE	TUBE	TUBO	ROHR	TUBO	
66	900.237.153	1	DISTRIBUTOR	DISTRIBUTEUR	DISTRIBUTORE	VERTEILER	DISTRIBUIDOR	4M
66	900.237.151	1	DISTRIBUTOR	DISTRIBUTEUR	DISTRIBUTORE	VERTEILER	DISTRIBUIDOR	2M
66	900.237.152	1	DISTRIBUTOR	DISTRIBUTEUR	DISTRIBUTORE	VERTEILER	DISTRIBUIDOR	3M
67	900.237.156	2	NIPPLES	NIPPLES	NIPPLES	NIPPEL	NIPPLES	
68	900.237.155	1	PIPE	TUBE	TUBO	ROHR	TUBO	
69	900.237.206	1	NIPPLES	NIPPLES	NIPPLES	NIPPEL	NIPPLES	
70	900.104.032	1	WASHER	RONDELLE	RONDELLA	ZWISCHENSCHIEBE	ARANDELA	
71	900.237.157	1	PUMP	POMPE	POMPA	PUMPE	BOMBA	
72	900.104.032	1	WASHER	RONDELLE	RONDELLA	ZWISCHENSCHIEBE	ARANDELA	
73	900.237.209	1	NIPPLES	NIPPLES	NIPPLES	NIPPEL	NIPPLES	
74	900.237.161	1	PIPE	TUBE	TUBO	ROHR	TUBO	13-15-17
74	900.237.231	1	PIPE	TUBE	TUBO	ROHR	TUBO	20
75	900.237.164	1	PIPE	TUBE	TUBO	ROHR	TUBO	
76	900.237.163	1	PIPE	TUBE	TUBO	ROHR	TUBO	13-15-17
76	900.237.232	1	PIPE	TUBE	TUBO	ROHR	TUBO	20
77	900.237.168	1	PIPE	TUBE	TUBO	ROHR	TUBO	
78	900.237.200	1	PIPE	TUBE	TUBO	ROHR	TUBO	13-15-17
78	900.237.240	1	PIPE	TUBE	TUBO	ROHR	TUBO	20
79	900.237.171	1	PIPE	TUBE	TUBO	ROHR	TUBO	

L-1-5-0

REF	CODE	QTY	ENGLISH	FRANÇAIS	ITALIANO	DEUTSCH	ESPAÑOL	NOTE
80	900.237.171	1	PIPE	TUBE	TUBO	ROHR	TUBO	
81	900.104.033	2	WASHER	RONDELLE	RONDELLA	ZWISCHENSCHLEIBE	ARANDELA	
82	900.237.174	2	JACK	EMBAYAGE	INNESTO	VERBINDEN	CONEXION	
83	900.237.242	1	PIN	TOURILLON	PERNO	STIFT	PERNO	15
84	900.102.297	2	SCREW	VIS	VITE	SCHRAUBE	TORNILLO	
85	900.103.025	2	NUT	ECROU	DADO	MUTTER	TUERCA	
86	900.104.062	4	WASHER	RONDELLE	RONDELLA	ZWISCHENSCHLEIBE	ARANDELA	
87	900.237.158	1	PLATE	PLAT	PIATTO	PLATTE	PLACA	
88	900.102.121.T	2	SCREW	VIS	VITE	SCHRAUBE	TORNILLO	
89	900.104.045	2	WASHER	RONDELLE	RONDELLA	ZWISCHENSCHLEIBE	ARANDELA	
90	900.102.095.T	1	SCREW	VIS	VITE	SCHRAUBE	TORNILLO	13-17-20
91	900.104.043	1	WASHER	RONDELLE	RONDELLA	ZWISCHENSCHLEIBE	ARANDELA	13-17-20
92	900.104.032	1	WASHER	RONDELLE	RONDELLA	ZWISCHENSCHLEIBE	ARANDELA	20
93	900.237.259	4	PIPE	TUBE	TUBO	ROHR	TUBO	15
93	900.237.235	4	PIPE	TUBE	TUBO	ROHR	TUBO	20
94	900.237.258	2	FITTING	RACCORD	RACCORDO	FEDER	RACORD	15-20
95	900.237.257	4	SCREW	VIS	VITE	SCHRAUBE	TORNILLO	15-20