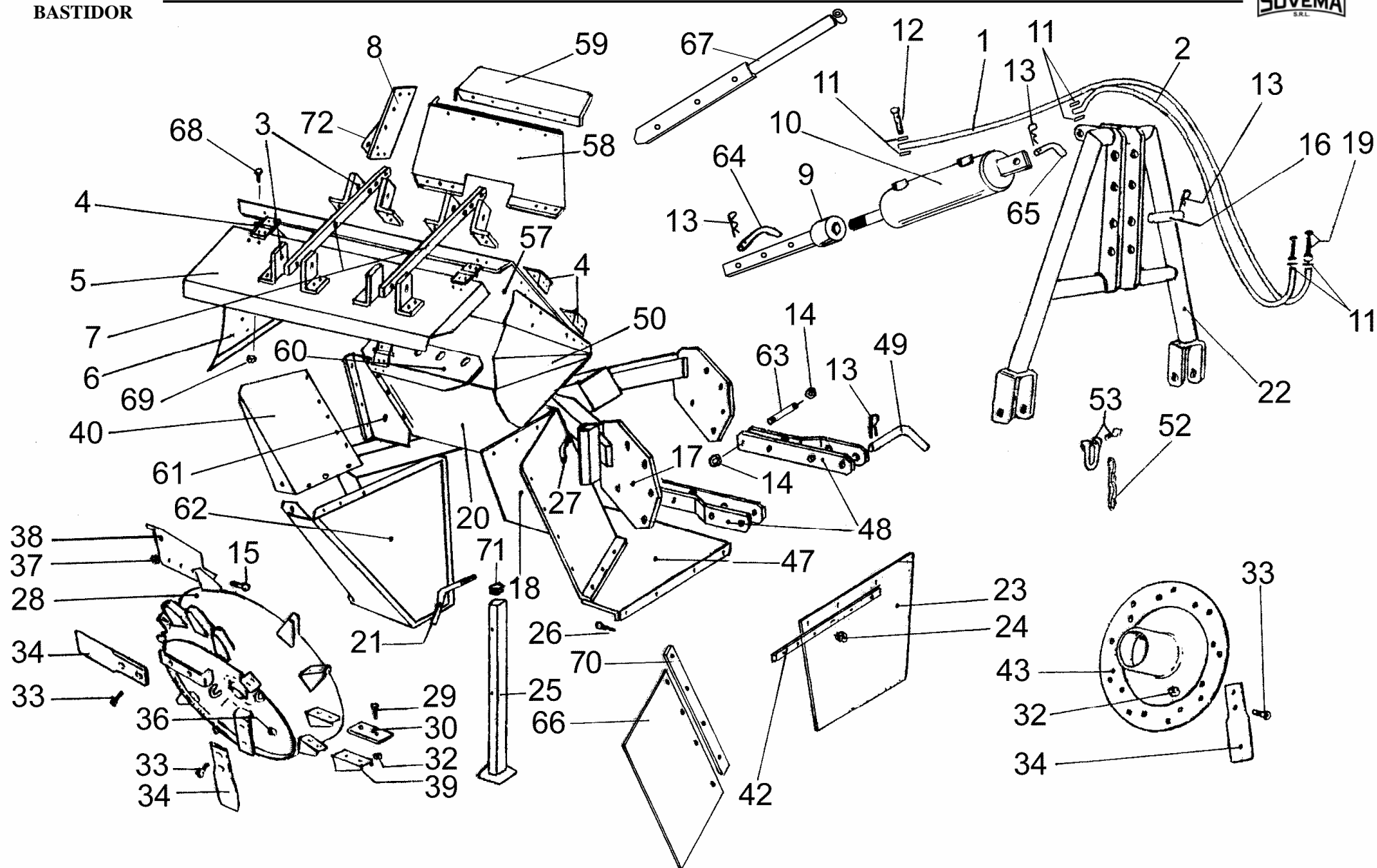


FRAME
CHASSIS
TELAIO
RAHMEN
BASTIDOR

SMB-2



G-6-1-0

G-6-1-0

REF	CODE	QTY	ENGLISH	FRANÇAIS	ITALIANO	DEUTSCH	ESPAÑOL	NOTE
1	900.243.117	1	PIPE	TUBE	TUBO	ROHR	TUBO	
2	900.243.118	1	PIPE	TUBE	TUBO	ROHR	TUBO	
3	900.243.147	8	SUPPORT	SUPPORT	SUPPORTO	STUETZE	SOPORTE	
4	900.243.150	10	BRACKET	CHARNIERE	CERNIERA	SCHARNIER	BISAGRA	
5	900.243.217	1	SHIELD	CAPOT	COFANO	HAUBE	CARCASA	
6	900.243.220	1	DIRECTION FLAP	AILETTE DE DIR.	VENTAGLIO	VERTEILERFLUEGEL	ALETA DE DIREC.	
7	900.243.148	2	ROD	TIGE	ASTA	STANGE	VARILLA	
8	900.243.209	1	PLATE	TOLE	LAMIERA	BLECH	CHAPA	
9	900.243.119	1	ROD	TIGE	ASTA	STANGE	VARILLA	
10	900.243.065	1	CYLINDER	VERIN	CILINDRO	ZYLINDER	CILINDRO	
11	900.104.033	6	WASHER	RONDELLE	RONDELLA	ZWISCHENSCHIBE	ARANDELA	
12	900.102.162	2	BOLT	BOULON	BULLONE	SCHRAUBBOLZEN	BULON	
13	900.108.006	7	SPLIT PIN	GOUPILLE	COPIGLIA	ARRETIERUNG	PASADOR	
14	900.103.029	4	NUT	ECROU	DADO	MUTTER	TUERCA	
15	900.102.020	9	SCREW	VIS	VITE	SCHRAUBE	TORNILLO	
16	900.243.088	1	PIN	TOURILLON	PERNO	STIFT	PERNO	
17	900.243.200	1	FRAME	CHASSIS	TELAIO	RAHMEN	BASTIDOR	70-85-115
18	900.243.210	1	PLATE	TOLE	LAMIERA	BLECH	CHAPA	
19	900.237.174	2	JACK	EMBRAYAGE	INNESTO	VERBINDEN	CONEXION	
20	900.243.214	1	PLATE	TOLE	LAMIERA	BLECH	CHAPA	
21	900.243.085	2	PIN	CHEVILLE	SPINA	DORN	CLAVIJA	
22	900.243.082.0	1	HITCH	ATTELAGE	ATTACCO	ANBAU	ENGANCHE	
23	900.243.138	1	GUARD	PROTECTION	PROTEZIONE	SCHUTZ	PROTECCION	
24	900.103.020	5	NUT	ECROU	DADO	MUTTER	TUERCA	
25	900.243.204	2	STAND	SUPPORT	SOSTEGNO	STUETZE	SOPORTE	
26	900.102.189	5	SCREW	VIS	VITE	SCHRAUBE	TORNILLO	
27	900.243.053	2	HANDLE	POIGNEE	MANIGLIA	HALTEGRIF	MANETA	
28	900.243.094	1	ROTOR	ROTOR	ROTORE	ROTOR	ROTOR	70
28	900.243.095	1	ROTOR	ROTOR	ROTORE	ROTOR	ROTOR	85
28	900.243.096	1	ROTOR	ROTOR	ROTORE	ROTOR	ROTOR	115
29	900.102.052	-	SCREW	VIS	VITE	SCHRAUBE	TORNILLO	
30	900.111.039	-	PLATE	PLAQUE	PIASTRA	PLATTE	PLACA	
32	900.103.019	-	NUT	ECROU	DADO	MUTTER	TUERCA	
33	900.102.048	-	SCREW	VIS	VITE	SCHRAUBE	TORNILLO	
34	900.111.036	-	KNIFE	COUTEAU	COLTELLO	MESSER	CUCHILLA	
36	900.103.019	-	NUT	ECROU	DADO	MUTTER	TUERCA	
37	900.103.019	-	NUT	ECROU	DADO	MUTTER	TUERCA	
38	900.111.033	3	KNIFE	COUTEAU	COLTELLO	MESSER	CUCHILLA	
39	900.243.098	-	SUPPORT	SUPPORT	SUPPORTO	STUETZE	SOPORTE	
40	900.243.208	1	PLATE	TOLE	LAMIERA	BLECH	CHAPA	
42	900.243.071	1	ROD	TIGE	ASTA	STANGE	VARILLA	
43	900.243.090	1	DISC	DISQUE	DISCO	SCHEIBE	DISCO	70
43	900.243.091	1	DISC	DISQUE	DISCO	SCHEIBE	DISCO	85
43	900.243.092	1	DISC	DISQUE	DISCO	SCHEIBE	DISCO	115
47	900.243.212	1	PLATE	TOLE	LAMIERA	BLECH	CHAPA	
48	900.243.083	2	ARM	BRAS	BRACCIO	ARM	BRAZO	
49	900.116.062	2	PIN	TOURILLON	PERNO	STIFT	PERNO	

G-6-1-0

REF	CODE	QTY	ENGLISH	FRANÇAIS	ITALIANO	DEUTSCH	ESPAÑOL	NOTE
50	900.243.218	1	DIRECTION FLAP	AILETTE DE DIR.	VENTAGLIO	VERTEILERFLUEGEL	ALETA DE DIREC.	
52	900.243.102	1	CHAIN	CHAINE	CATENA	KETTE	CADENA	
53	900.243.042	1	U-BOLT	MANILLE	CAVALLOTTO	U-BOLZEN	SOPORTE	
57	900.243.219	1	DIRECTION FLAP	AILETTE DE DIR.	VENTAGLIO	VERTEILERFLUEGEL	ALETA DE DIREC.	
58	900.243.216	1	SIDE	FLANC	FIANCO	SEITE	FLANCO	
59	900.243.211	1	PLATE	TOLE	LAMIERA	BLECH	CHAPA	
60	900.243.213	1	PLATE	TOLE	LAMIERA	BLECH	CHAPA	
61	900.243.215	1	PLATE	TOLE	LAMIERA	BLECH	CHAPA	
62	900.243.201	1	SLIDEWAY	GLISSIERE	GUIDA	HINTERTEIL	GUIA	70
62	900.243.202	1	SLIDEWAY	GLISSIERE	GUIDA	HINTERTEIL	GUIA	85
62	900.243.203	1	SLIDEWAY	GLISSIERE	GUIDA	HINTERTEIL	GUIA	115
63	900.243.089.0	2	PIN	TOURILLON	PERNO	STIFT	PERNO	
64	900.243.086	1	PIN	TOURILLON	PERNO	STIFT	PERNO	
65	900.243.087	1	PIN	TOURILLON	PERNO	STIFT	PERNO	
66	900.243.221	1	GUARD	PROTECTION	PROTEZIONE	SCHUTZ	PROTECCION	
67	900.243.120	1	TIE ROD	TIRANT	TIRANTE	ZUGSTANGE	TIRANTE	
68	900.102.291	-	SCREW	VIS	VITE	SCHRAUBE	TORNILLO	
69	900.103.117	-	NUT	ECROU	DADO	MUTTER	TUERCA	
70	900.244.564	1	PLATE	PLAT	PIATTO	PLATTE	PLACA	
71	900.109.012	2	PLUG	BOUCHON	TAPPO	DECKEL	TAPON	
72	900.243.207	1	FLASK	MOULE	STAFFA	KLAUE	PLETINA	