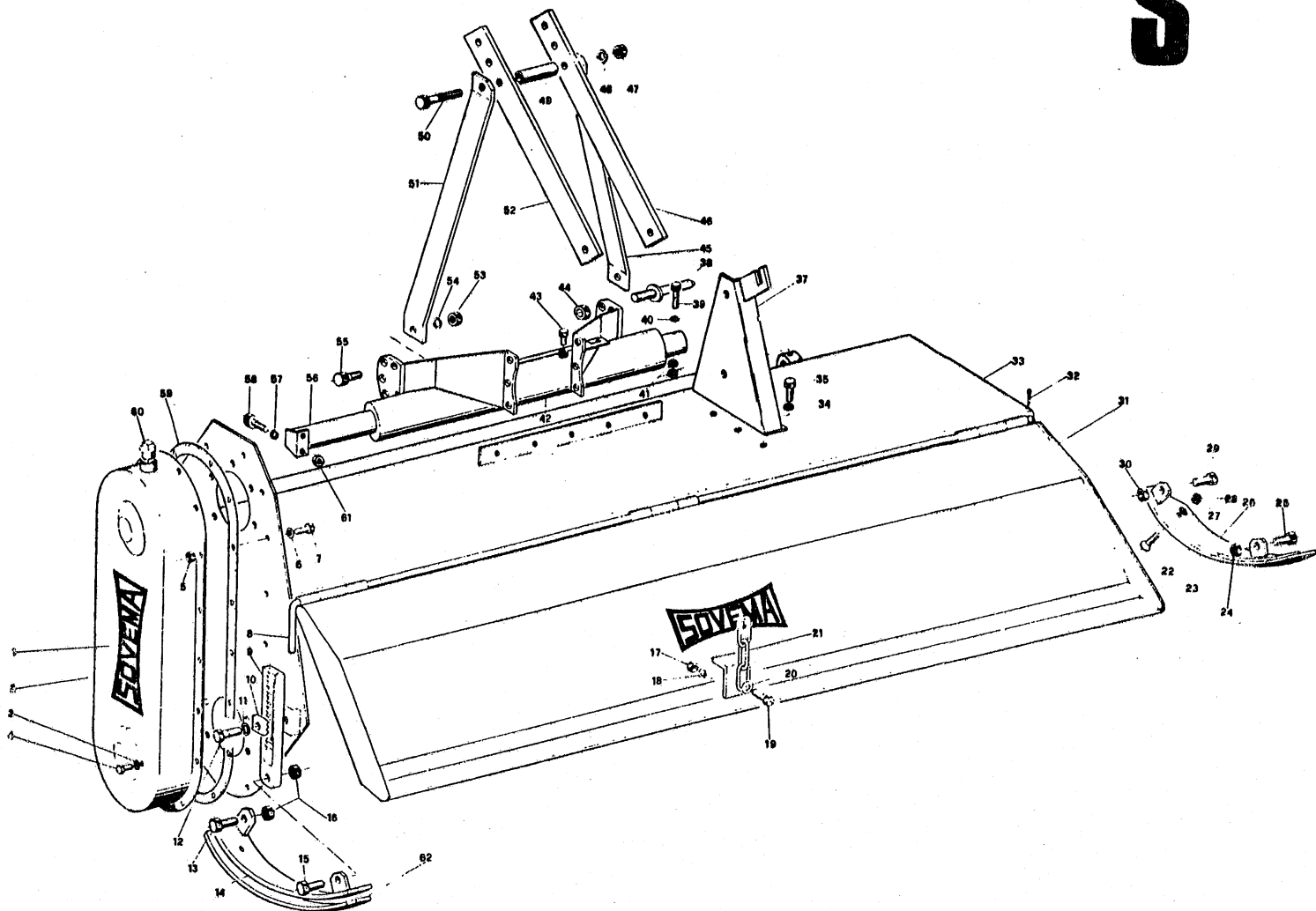


S



| REF. | C O D E | Q. TY | MACH. MOD. |
|------|-------------|-------|------------|
| 1 | 900.141.002 | 1 | |
| 2 | 900.113.003 | 1 | S 100/120 |
| | 900.113.004 | 1 | S 140/160 |
| | 900.113.005 | 1 | S 180/200 |
| 3 | 900.104.009 | 1 | |
| 4 | 900.102.009 | 1 | |
| 5 | 900.103.001 | 16 | |
| 6 | 900.104.002 | 16 | |
| 7 | 900.102.007 | 16 | |
| 8 | 900.114.018 | 1 | S 100/120 |
| | 900.114.019 | 1 | S 140 |
| | 900.114.020 | 1 | S 160 |
| | 900.114.021 | 1 | S 180 |
| | 900.114.022 | 1 | S 200 |
| 9 | 900.115.007 | 2 | |
| 10 | 900.115.008 | 2 | |
| 11 | 900.104.005 | 2 | |
| 12 | 900.102.027 | 2 | |
| 13 | 900.102.026 | 1 | S 100/120 |
| | 900.102.030 | 1 | S 140/200 |
| 14 | 900.115.002 | 1 | S 100/120 |
| | 900.115.004 | 1 | S 140/200 |
| 15 | 900.102.027 | 1 | S 100/120 |
| | 900.102.031 | 1 | S 140/200 |
| 16 | 900.103.004 | 2 | |
| 17 | 900.103.003 | 1 | |
| 18 | 900.104.004 | 1 | |
| 19 | 900.102.018 | 1 | |
| 20 | 900.104.010 | 1 | |
| 21 | 900.114.016 | 1 | |
| 22 | 900.102.048 | 4 | |
| 23 | 900.115.005 | 1 | |
| 24 | 900.103.004 | 1 | |
| 25 | 900.102.028 | 1 | |
| 26 | 900.115.001 | 1 | S 100/120 |
| | 900.115.003 | 1 | S 140/200 |
| 27 | 900.104.004 | 4 | S 140/200 |
| 28 | 900.103.003 | 4 | S 140/200 |
| 29 | 900.102.025 | 1 | |
| 30 | 900.103.004 | 1 | |
| 31 | 900.114.007 | 1 | S 100 |

| REF. | C O D E | Q. TY | MACH. MOD. |
|------|-------------|-------|------------|
| 31 | 900.114.008 | 1 | S 120 |
| | 900.114.009 | 1 | S 140 |
| | 900.114.006 | 1 | S 160 |
| | 900.114.010 | 1 | S 180 |
| | 900.114.011 | 1 | S 200 |
| 32 | 900.108.001 | 2 | S 100/120 |
| | 900.108.002 | 2 | S 140/200 |
| 33 | 900.142.018 | 1 | S 100 |
| | 900.142.019 | 1 | S 120 |
| | 900.142.020 | 1 | S 140 |
| | 900.142.021 | 1 | S 160 |
| | 900.142.022 | 1 | S 180 |
| | 900.142.023 | 1 | S 200 |
| 34 | 900.104.005 | 1 | |
| 35 | 900.102.025 | 3 | |
| 37 | 900.120.014 | 1 | |
| 38 | 900.116.012 | 2 | S 100/140 |
| | 900.116.013 | 2 | S 160/200 |
| 39 | 900.102.016 | 1 | S 100/160 |
| | 900.102.023 | 1 | S 180/200 |
| 40 | 900.104.003 | 1 | S 100/160 |
| 41 | 900.104.004 | 1 | S 180/200 |
| | 900.103.002 | 1 | S 100/160 |
| | 900.103.003 | 1 | S 180/200 |
| 42 | 900.116.005 | 1 | S 100/160 |
| | 900.116.006 | 1 | S 180/200 |
| 43 | 900.102.019 | 2 | S 100/160 |
| | 900.102.027 | 2 | S 180/200 |
| 44 | 900.103.009 | 2 | S 100/160 |
| | 900.103.010 | 2 | S 180/200 |
| 45 | 900.116.014 | 1 | S 100/160 |
| | 900.116.019 | 1 | S 180/200 |
| 46 | 900.116.015 | 1 | S 100/160 |
| | 900.116.020 | 1 | S 180/200 |
| 47 | 900.103.005 | 1 | S 100/160 |
| | 900.103.006 | 1 | S 180/200 |
| 48 | 900.104.005 | 1 | S 100/160 |
| | 900.104.006 | 1 | S 180/200 |
| 49 | 900.116.026 | 1 | S 100/140 |
| | 900.116.027 | 1 | S 160/200 |
| 50 | 900.116.014 | 1 | S 100/160 |

| REF. | C O D E | Q. TY | MACH. MOD. |
|------|-------------|-------|------------|
| 50 | 900.102.037 | 1 | S 180/200 |
| 51 | 900.116.014 | 1 | S 100/160 |
| | 900.116.019 | 1 | S 180/200 |
| 52 | 900.116.015 | 1 | S 100/160 |
| | 900.116.020 | 1 | S 180/200 |
| 53 | 900.103.005 | 2 | S 100/160 |
| | 900.103.006 | 2 | S 180/200 |
| 54 | 900.104.005 | 2 | S 100/160 |
| | 900.104.006 | 2 | S 180/200 |
| 55 | 900.102.029 | 2 | S 100/160 |
| | 900.102.036 | 2 | S 180/200 |
| 56 | 900.116.007 | 1 | S 100 |
| | 900.116.008 | 1 | S 120 |
| | 900.116.009 | 1 | S 140 |
| | 900.116.010 | 1 | S 160 |
| | 900.116.011 | 1 | S 180/200 |
| 57 | 900.104.004 | 3 | |
| 58 | 900.102.020 | 3 | |
| 59 | 900.139.035 | 1 | S 100/120 |
| | 900.139.036 | 1 | S 140/200 |
| 60 | 900.102.049 | 1 | |
| 61 | 900.103.003 | 3 | |
| 62 | 900.115.006 | | |