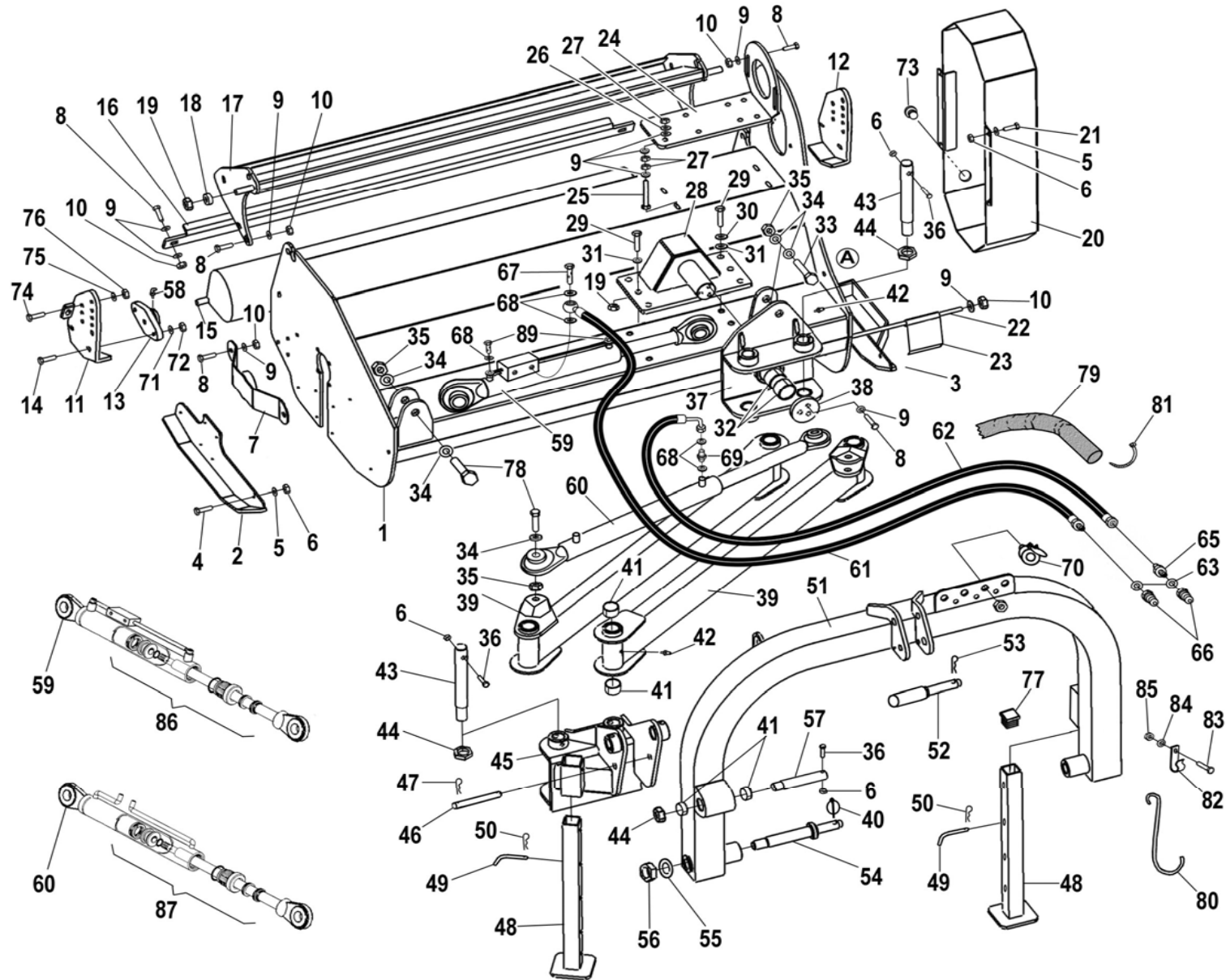


FRAME
CHASSIS
TELAIO
RAHMEN
BASTIDOR

TDF-L



M-1-1-0

M-1-1-0

REF	CODE	QTY	ENGLISH	FRANÇAIS	ITALIANO	DEUTSCH	ESPAÑOL	NOTE
1	900.252.050	1	FRAME	CHASSIS	TELAIO	RAHMEN	BASTIDOR	120
1	900.252.051	1	FRAME	CHASSIS	TELAIO	RAHMEN	BASTIDOR	140
1	900.252.052	1	FRAME	CHASSIS	TELAIO	RAHMEN	BASTIDOR	160
2	900.252.024	1	SKID	PATIN	SLITTA	KUFE	CORREDERA	
3	900.252.064	1	SKID	PATIN	SLITTA	KUFE	CORREDERA	
4	900.102.100	12	SCREW TE M10x30	VIS TE M10x30	VITE TE M10x30	SCHRAUBE TE M10x30	TORNILLO TE M10 x30	
5	900.104.045	16	WASHER 10x20	RONDELLE 10x20	RONDELLA 10x20	ZWISCHENSCH. 10x20	ARANDELA 10x20	
6	900.103.018	21	NUT BLOCK M10	ECROU BLOCK M10	DADO BLOCK M10	MUTTER BLOCK M10	TUERCA BLOCK M10	
7	900.252.060	1	GUARD	PROTECTION	PROTEZIONE	SCHUTZ	PROTECCION	
8	900.102.098	11	SCREW TE M12x30	VIS TE M12x30	VITE TE M12x30	SCHRAUBE TE M12x30	TORNILLO TE M12x30	
9	900.104.046	27	WASHER 12x24	RONDELLE 12x24	RONDELLA 12x24	ZWISCHENSCH. 12x24	ARANDELA 12x24	
10	900.103.019	10	NUT BLOCK M12	ECROU BLOCK M12	DADO BLOCK M12	MUTTER BLOCK M12	TUERCA BLOCK M12	
11	900.252.034	1	SUPPORT	SUPPORT	SUPPORTO	STUETZE	SOPORTE	
12	900.252.035	1	SUPPORT	SUPPORT	SUPPORTO	STUETZE	SOPORTE	
13	900.100.082	2	SUPPORT UCFL 204	SUPPORT UCFL 204	SUPPORTO UCFL 204	STUETZE UCFL 204	SOPORTE UCFL 204	120-140
13	900.100.030	2	SUPPORT UCFL 206	SUPPORT UCFL 206	SUPPORTO UCFL 206	STUETZE UCFL 206	SOPORTE UCFL 206	160
14	900.102.169	4	SCREW TE M10x40	VIS TE M10x40	VITE TE M10x40	SCHRAUBE TE M10x40	TORNILLO TE M10x40	120-140
14	900.102.112	4	SCREW TE M14x45	VIS TE M14x45	VITE TE M14x45	SCHRAUBE TE M14x45	TORNILLO TE M14x45	160
15	900.252.065	1	ROLLER	ROULEAU	RULLO	WALZE	RODILLO	120
15	900.251.050	1	ROLLER	ROULEAU	RULLO	WALZE	RODILLO	140
15	900.251.027	1	ROLLER	ROULEAU	RULLO	WALZE	RODILLO	160
16	900.251.014.1	1	SCRAPER	RACLEUR	RASCHIARULLO	WALZENSCHABER	RASCAROD.	120
16	900.251.015	1	SCRAPER	RACLEUR	RASCHIARULLO	WALZENSCHABER	RASCAROD.	140
16	900.251.016	1	SCRAPER	RACLEUR	RASCHIARULLO	WALZENSCHABER	RASCAROD.	160
17	900.252.053	1	SHIELD	CAPOT	COFANO	HAUBE	CARCASA	120
17	900.252.054	1	SHIELD	CAPOT	COFANO	HAUBE	CARCASA	140
17	900.252.021	1	SHIELD	CAPOT	COFANO	HAUBE	CARCASA	160
18	900.211.028	2	BUSH	COQUILLE	BOCCOLA	BUCHSE	CASQUILLO	
19	900.103.023	6	NUT BLOCK M16	ECROU BLOCK M16	DADO BLOCK M16	MUTTER BLOCK M16	TUERCA BLOCK M16	
20	900.272.005.1	1	COVER	CARTER	CARTER	GEHAEUSE	CARTER	
21	900.102.121	4	SCREW TE M10x25	VIS TE M10x25	VITE TE M10x25	SCHRAUBE TE M10x25	TORNILLO TE M10x25	
22	900.240.112	1	ROD	TIGE	ASTA	STANGE	VARILLA	120
22	900.238.057	1	ROD	TIGE	ASTA	STANGE	VARILLA	140
22	900.238.058	1	ROD	TIGE	ASTA	STANGE	VARILLA	160
23	900.238.063	12	FLAP	AILETTE	ALETTA	SCHUTZLAMELLE	ALETA	120
23	900.238.063	14	FLAP	AILETTE	ALETTA	SCHUTZLAMELLE	ALETA	140
23	900.238.063	16	FLAP	AILETTE	ALETTA	SCHUTZLAMELLE	ALETA	160
24	900.252.061	1	PLATE	PLAQUE	PIASTRA	PLATTE	PLACA	
25	900.102.381	4	SCREW TE M12x100	VIS TE M12x100	VITE TE M12x100	SCHRAUBE TE M12x100	TORNILLO TE M12x100	
26	900.104.105	4	WASHER GROWER 12	RONDELLE GROWER 12	RONDELLA GROWER 12	ZWISCHENSCH.GROWER12	ARANDELA GROWER 12	
27	900.103.035	12	NUT M12	ECROU M12	DADO M12	MUTTER M12	TUERCA M12	
28	900.252.055	1	PIN	TOURILLON	PERNO	STIFT	PERNO	
29	900.102.235	6	SCREW TE M16x50	VIS TE M16x50	VITE TE M16x50	SCHRAUBE TE M16x50	TORNILLO TE M16x50	
30	900.104.107	2	WASHER GROWER 16	RONDELLE GROWER 16	RONDELLA GROWER 16	ZWISCHENSCH.GROWER16	ARANDELA GROWER 16	
31	900.104.043	6	WASHER 16x32	RONDELLE 16x32	RONDELLA 16x32	ZWISCHENSCH. 16x32	ARANDELA 16x32	
32	900.252.011	2	BUSH KU 5050	COQUILLE KU 5050	BOCCOLA KU 5050	BUCHSE KU 5050	CASQUILLO KU 5050	
33	900.102.465	1	SCREW TE M20x110	VIS TE M20x110	VITE TE M20x110	SCHRAUBE TE M20x110	TORNILLO TE M20x110	
34	900.104.048	6	WASHER 21x37	RONDELLE 21x37	RONDELLA 21x37	ZWISCHENSCH. 21x37	ARANDELA 21x37	
35	900.103.106	4	NUT BLOCK M20	ECROU BLOCK M20	DADO BLOCK M20	MUTTER BLOCK M20	TUERCA BLOCK M20	
36	900.102.078	5	SCREW TE M10x65	VIS TE M10x65	VITE TE M10x65	SCHRAUBE TE M10x65	TORNILLO TE M10x65	
37	900.252.056	1	FORK	FOURCHETTE	FORCELLA	GABEL	HORQUILLA	
38	900.252.010.1	1	WASHER BRACKET	RONDELLE	RONDELLA CERNIERA	ZWISCHENSCH. 16x32	ARANDELA	
39	900.252.058	2	ARM	BRAS	BRACCIO	ARM	BRAZO	

M-1-1-0

REF	CODE	QTY	ENGLISH	FRANÇAIS	ITALIANO	DEUTSCH	ESPAÑOL	NOTE
40	900.108.042	2	CLICK PIN 10	CHEVILLE DECKIC 10	SPINA A SCATTO 10	SCHNAPPSTIFT 10	CLAVIJA DE RES. 10	
41	900.252.012	10	BUSH KU 3040	COQUILLE KU 3040	BOCCOLA KU 3040	BUCHSE KU 3040	CASQUILLO KU 3040	
42	900.105.015	5	GREASE NIPPLE M8x1,25	GRAISSEUR M8x1,25	INGRASSATORE M8x1,25	SCHMIERNIPPEL M8x1,25	ENGRASADOR M8x1,25	
43	900.277.016	4	PIN	TOURILLON	PERNO	STIFT	PERNO	
44	900.103.014	5	RING NUT BLOCK 30x1,5	EMBOUT BLOCK 30x1,5	GHIERA BLOCK 30x1,5	NUTMUTTER BLOCK 30x1,5	TUERCA BLOCK 30x1,5	
45	900.252.057	1	FORK	FOURCHETTE	FORCELLA	GABEL	HORQUILLA	
46	900.277.005	1	PIN	TOURILLON	PERNO	STIFT	PERNO	
47	900.108.017	2	SPLIT PIN R 5	GOUPILLE R 5	COPIGLIA R 5	ARRETIERUNG R 5	PASADOR R 5	
48	900.238.001	2	STAND	SUPPORT	SOSTEGNO	STUETZE	SOPORTE	
49	900.207.008	2	PIN	CHEVILLE	SPINA	DORN	CLAVIJA	
50	900.108.005	2	SPLIT PIN R 3	GOUPILLE R 3	COPIGLIA R 3	ARRETIERUNG R 3	PASADOR R 3	
51	900.252.059	1	FRONT FRAME	CHASSIS AV.	TELAIO ANT.	FRONTGEHAEUSE	BASTIDOR ANT.	
52	900.116.028	1	PIN	TOURILLON	PERNO	STIFT	PERNO	
53	900.108.017	1	SPLIT PIN R 5	GOUPILLE R 5	COPIGLIA R 5	ARRETIERUNG R 5	PASADOR R 5	
54	900.277.018	2	PIN	TOURILLON	PERNO	STIFT	PERNO	FIRST CAT.
54	900.277.010	2	PIN	TOURILLON	PERNO	STIFT	PERNO	SECOND CAT.
55	900.104.090	2	WASHER GROWER 24	RONDELLE GROWER 24	RONDELLA GROWER 24	ZWISCHENSCH.GROWER24	ARANDELA GROWER 24	
56	900.103.048	2	NUT M24x2	ECROU M24x2	DADO M24x2	MUTTER M24x2	TUERCA M24x2	
57	900.277.015	1	PIN	TOURILLON	PERNO	STIFT	PERNO	
58	900.105.014	1	GREASE NIPPLE M6x1 90°	GRAISSEUR M6x1 90°	INGRASS. M6x1 90°	SCHMIERNIPPEL M6x1 90°	ENGRASADOR M6x1 90°	
59	900.275.012	1	CYLINDER	VERIN	CILINDRO	ZYLINDER	CILINDRO	
60	900.275.013.1	1	CYLINDER	VERIN	CILINDRO	ZYLINDER	CILINDRO	
61	900.276.040	2	PIPE	TUBE	TUBO	ROHR	TUBO	
62	900.276.041.1	2	PIPE	TUBE	TUBO	ROHR	TUBO	
63	900.104.033	4	WASHER COPPER 1/2"	RONDELLE CUIVRE 1/2"	RONDELLA RAME 1/2"	ZWISCHENSCH.KUPFER 1/2"	ARANDELA COBRE 1/2"	
64	900.252.087	1	PLATE	PLAQUE	PIASTRA DI CHIUSURA	PLATTE	PLACA	
65	900.276.028	2	NIPPLES 1/2"-1/2" D.1	NIPPLES 1/2"-1/2" D.1	NIPPLES 1/2"-1/2" D.1	NIPPEL 1/2"-1/2" D.1	NIPPLES 1/2"-1/2" D.1	
66	900.237.174	4	JACK 1/2"	EMBAYAGE 1/2"	INNESTO 1/2"	VERBINDEN 1/2"	CONEXION 1/2"	
67	900.102.269	2	BOLT DRILLED 3/8"	BOULON AVEC TROUS 3/8"	BULLONE FORATO 3/8"	SCHRAUBB. GEBORTH 3/8"	BULON OJOS 3/8"	
68	900.104.039	10	WASHER COPPER 3/8"	RONDELLE CUIVRE 3/8"	RONDELLA RAME 3/8"	ZWISCHENSCH.KUPFER 3/8"	ARANDELA COBRE 3/8"	
69	900.237.108	2	NIPPLES 3/8"-3/8"	NIPPLES 3/8"-3/8"	NIPPLES 3/8"-3/8"	NIPPEL 3/8"-3/8"	NIPPLES 3/8"-3/8"	
70	900.276.039	4	SUPPORT	SUPPORTO	SUPPORTO	STUETZE	SOPORTE	
71	900.104.045	4	WASHER 10x20	RONDELLE 10x20	RONDELLA 10x20	ZWISCHENSCH. 10x20	ARANDELA 10x20	120-140
71	900.104.044	4	WASHER 14x28	RONDELLE 14x28	RONDELLA 14x28	ZWISCHENSCH. 14x28	ARANDELA 14x28	160
72	900.103.018	4	NUT BLOCK M10	ECROU BLOCK M10	DADO BLOCK M10	MUTTER BLOCK M10	TUERCA BLOCK M10	120-140
72	900.103.021	4	NUT BLOCK M14	ECROU BLOCK M14	DADO BLOCK M14	MUTTER BLOCK M14	TUERCA BLOCK M14	160
73	PROVIDED	1	PLUG	BOUCHON	TAPPO	DECKEL	TAPON	160 ONLY
74	900.102.188	4	SCREW TE M14 x35	VIS TE M14x35	VITE TE M14x35	SCHRAUBE TE M14x35	TORNILLO TE M14x35	
75	900.104.044	4	WASHER 14x28	RONDELLE 14x28	RONDELLA 14x28	ZWISCHENSCH. 14x28	ARANDELA 14x28	
76	900.103.021	4	NUT BLOCK M14	ECROU BLOCK M14	DADO BLOCK M14	MUTTER BLOCK M14	TUERCA BLOCK M14	
77	900.109.011	2	PLUG	BOUCHON	TAPPO	DECKEL	TAPON	
78	900.102.467	3	SCREW TE M20x100	VIS TE M20x100	VITE TE M20x100	SCHRAUBE TE M20x100	TORNILLO TE M20x100	
79	900.276.042	1	SHEAT	ENVELOPP	GUAINA ANT. L= 3400	SCHEIDE	FUNDA	
79	900.276.043	1	SHEAT	ENVELOPP	GUAINA ANT. L= 1600	SCHEIDE	FUNDA	
80	900.117.105	1	PTO SHAFT SUPPORT	CARDAN SUPPORT	SOSTEGNO CARDANO	G.WELLE STUETZE	SOPORTE CARDANO	
81	900.276.035	3	PIPE-HOLDER CLAMP	BANDE TUBE ARR.	FASCETTA FERMATUBO	BINDE ROHR-HALTER	BANDEJA PUNTATUBO	
82	900.117.106	1	HITCH SUPPORT	LIAISON SUPPORT	AGGANCIO SOSTEGNO	HANG. STUETZE	AGGANCIO SOPORTE	
83	900.102.147	1	SCREW TE M8x25	VIS TE M8x25	VITE TE M8x25	SCHRAUBE TE M8x25	TORNILLO TE M8x25	
84	900.104.052	1	WASHER 8x17	RONDELLE 8x17	RONDELLA 8x17	ZWISCHENSCH. 8x17	ARANDELA 8x17	
85	900.103.020	1	NUT BLOCK M8	ECROU BLOCK M8	DADO BLOCK M8	MUTTER BLOCK M8	TUERCA BLOCK M8	
89	900.276.044	2	BOLT DRILLED 3/8" D.1	BOUL.TROUS 3/8" D.1	BULL. FORATO 3/8" D.1	SCHRAUBB. GEB. 3/8" D.1	BULON OJOS 3/8" D.1	