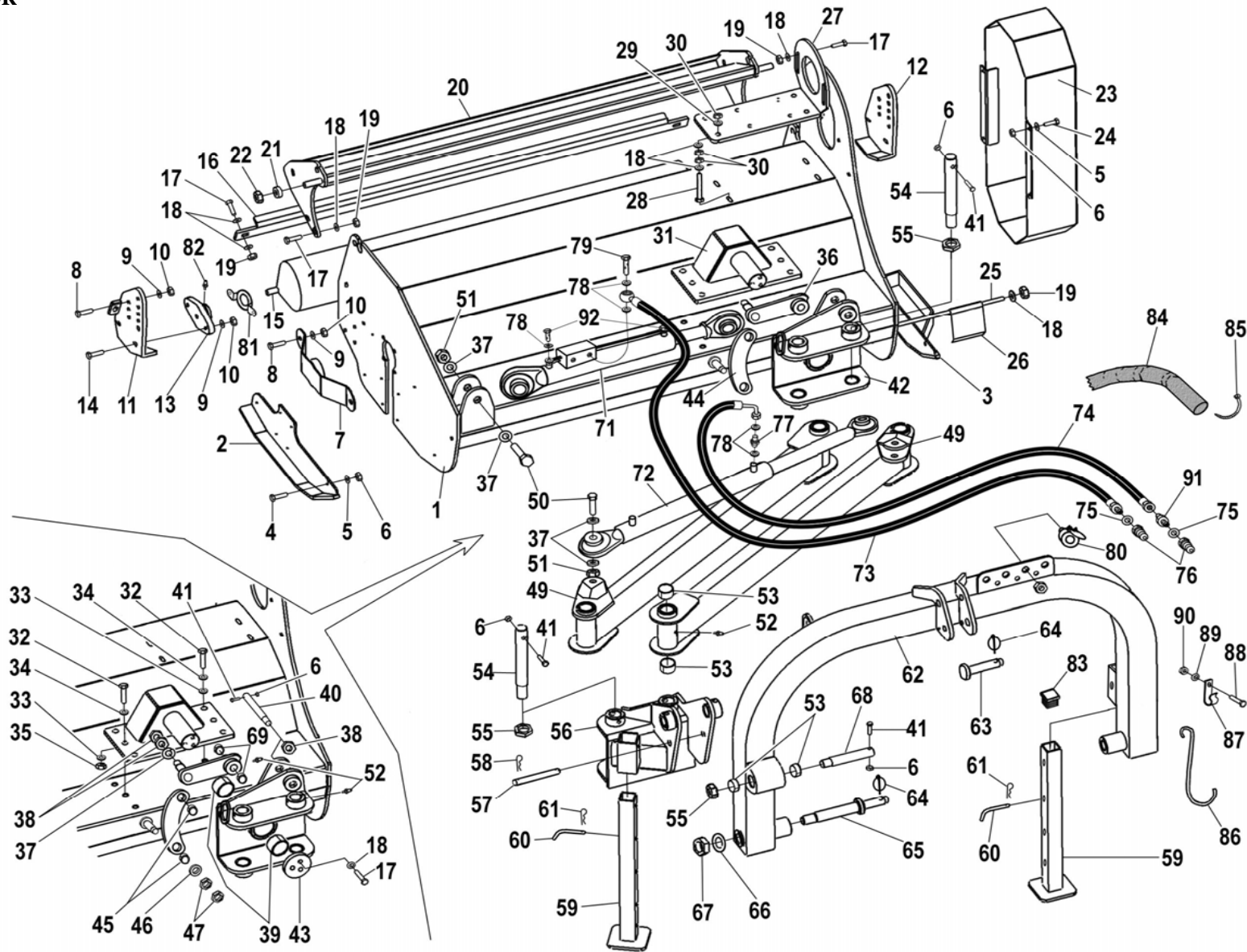


TDF-M/HD



M-2-1-0

| REF | CODE | QTY | ENGLISH | FRANÇAIS | ITALIANO | DEUTSCH | ESPAÑOL | NOTE |
|-----|---------------|-----|------------------|------------------|-------------------|-----------------------|---------------------|-------------------|
| 1 | 900.252.018.1 | 1 | FRAME | CHASSIS | TELAIO | RAHMEN | BASTIDOR | 160 M |
| 1 | 900.252.019.1 | 1 | FRAME | CHASSIS | TELAIO | RAHMEN | BASTIDOR | 180 M / HD |
| 1 | 900.252.020.1 | 1 | FRAME | CHASSIS | TELAIO | RAHMEN | BASTIDOR | 200 M |
| 1 | 900.252.040.1 | 1 | FRAME | CHASSIS | TELAIO | RAHMEN | BASTIDOR | 200 HD |
| 1 | 900.252.041.1 | 1 | FRAME | CHASSIS | TELAIO | RAHMEN | BASTIDOR | 220 HD |
| 2 | 900.252.024 | 1 | SKID | PATIN | SLITTA | KUFE | CORREDERA | |
| 3 | 900.252.025 | 1 | SKID | PATIN | SLITTA | KUFE | CORREDERA | |
| 4 | 900.102.100 | 12 | SCREW TE M10x30 | VIS TE M10x30 | VITE TE M10x30 | SCHRAUBE TE M10x30 | TORNILLO TE M10 x30 | |
| 5 | 900.104.045 | 16 | WASHER 10x20 | RONDELLE 10x20 | RONDELLA 10x20 | ZWISCHENSCHIEBE 10x20 | ARANDELA 10x20 | |
| 6 | 900.103.018 | 22 | NUT BLOCK M10 | ECROU BLOCK M10 | DADO BLOCK M10 | MUTTER BLOCK M10 | TUERCA BLOCK M10 | |
| 7 | 900.252.032 | 1 | GUARD | PROTECTION | PROTEZIONE | SCHUTZ | PROTECCION | 160M 180M/HD 200M |
| 7 | 900.252.046 | 1 | GUARD | PROTECTION | PROTEZIONE | SCHUTZ | PROTECCION | 200-220 HD |
| 8 | 900.102.188 | 15 | SCREW TE M14x35 | VIS TE M14x35 | VITE TE M14x35 | SCHRAUBE TE M14x35 | TORNILLO TE M14x35 | |
| 9 | 900.104.044 | 13 | WASHER 14x28 | RONDELLE 14x28 | RONDELLA 14x28 | ZWISCHENSCHIEBE 14x28 | ARANDELA 14x28 | |
| 10 | 900.103.021 | 7 | NUT BLOCK M14 | ECROU BLOCK M14 | DADO BLOCK M14 | MUTTER BLOCK M14 | TUERCA BLOCK M14 | |
| 11 | 900.252.034 | 1 | SUPPORT | SUPPORT | SUPPORTO | STUETZE | SOPORTE | |
| 12 | 900.252.035 | 1 | SUPPORT | SUPPORT | SUPPORTO | STUETZE | SOPORTE | |
| 13 | 900.100.030 | 2 | SUPPORT UCFL 206 | SUPPORT UCFL 206 | SUPPORTO UCFL 206 | STUETZE UCFL 206 | SOPORTE UCFL 206 | |
| 14 | 900.102.112 | 4 | SCREW TE M14x45 | VIS TE M14x45 | VITE TE M14x45 | SCHRAUBE TE M14x45 | TORNILLO TE M14x45 | |
| 15 | 900.251.027 | 1 | ROLLER | ROULEAU | RULLO | WALZE | RODILLO | 160 M |
| 15 | 900.240.118 | 1 | ROLLER | ROULEAU | RULLO | WALZE | RODILLO | 180 M / HD |
| 15 | 900.251.051 | 1 | ROLLER | ROULEAU | RULLO | WALZE | RODILLO | 200 M / HD |
| 15 | 900.251.052 | 1 | ROLLER | ROULEAU | RULLO | WALZE | RODILLO | 220 HD |
| 16 | 900.251.016 | 1 | SCRAPER | RACLEUR | RASCHIARULLO | WALZENSCHABER | RASCAROD. | 160 M |
| 16 | 900.251.158 | 1 | SCRAPER | RACLEUR | RASCHIARULLO | WALZENSCHABER | RASCAROD. | 180 M / HD |
| 16 | 900.251.073 | 1 | SCRAPER | RACLEUR | RASCHIARULLO | WALZENSCHABER | RASCAROD. | 200 M / HD |
| 16 | 900.251.159 | 1 | SCRAPER | RACLEUR | RASCHIARULLO | WALZENSCHABER | RASCAROD. | 220 HD |
| 17 | 900.102.102 | 12 | SCREW TE M12x35 | VIS TE M12x35 | VITE TE M12x35 | SCHRAUBE TE M12x35 | TORNILLO TE M12x35 | |
| 18 | 900.104.046 | 24 | WASHER 12x24 | RONDELLE 12x24 | RONDELLA 12x24 | ZWISCHENSCHIEBE 12x24 | ARANDELA 12x24 | |
| 19 | 900.103.019 | 8 | NUT BLOCK M12 | ECROU BLOCK M12 | DADO BLOCK M12 | MUTTER BLOCK M12 | TUERCA BLOCK M12 | |
| 20 | 900.252.021 | 1 | SHIELD | CAPOT | COFANO | HAUBE | CARCASA | 160 |
| 20 | 900.252.022 | 1 | SHIELD | CAPOT | COFANO | HAUBE | CARCASA | 180 |
| 20 | 900.252.023 | 1 | SHIELD | CAPOT | COFANO | HAUBE | CARCASA | 200 |
| 20 | 900.252.042 | 1 | SHIELD | CAPOT | COFANO | HAUBE | CARCASA | 220 |
| 21 | 900.211.028 | 2 | BUSH | COQUILLE | BOCCOLA | BUCHSE | CASQUILLO | |
| 22 | 900.103.023 | 2 | NUT BLOCK M16 | ECROU BLOCK M16 | DADO BLOCK M16 | MUTTER BLOCK M16 | TUERCA BLOCK M16 | |
| 23 | 900.272.003 | 1 | COVER | CARTER | CARTER | GEHAEUSE | CARTER | |
| 24 | 900.102.121 | 4 | SCREW TE M10x25 | VIS TE M10x25 | VITE TE M10x25 | SCHRAUBE TE M10x25 | TORNILLO TE M10x25 | |
| 25 | 900.238.058 | 1 | ROD | TIGE | ASTA | STANGE | VARILLA | 160 |
| 25 | 900.240.114 | 1 | ROD | TIGE | ASTA | STANGE | VARILLA | 180 |
| 25 | 900.251.054 | 1 | ROD | TIGE | ASTA | STANGE | VARILLA | 200 |
| 25 | 900.251.055 | 1 | ROD | TIGE | ASTA | STANGE | VARILLA | 220 |
| 26 | 900.238.063 | 16 | FLAP | AILETTE | ALETTA | SCHUTZLAMELLE | ALETA | 160 |
| 26 | 900.238.063 | 18 | FLAP | AILETTE | ALETTA | SCHUTZLAMELLE | ALETA | 180 |
| 26 | 900.238.063 | 20 | FLAP | AILETTE | ALETTA | SCHUTZLAMELLE | ALETA | 200 |
| 26 | 900.238.063 | 22 | FLAP | AILETTE | ALETTA | SCHUTZLAMELLE | ALETA | 220 |

M-2-1-0

| REF | CODE | QTY | ENGLISH | FRANÇAIS | ITALIANO | DEUTSCH | ESPAÑOL | NOTE |
|-----|-------------|-----|-----------------------|---------------------|----------------------|------------------------|---------------------|--------|
| 27 | 900.252.033 | 1 | PLATE | PLAQUE | PIASTRA | PLATTE | PLACA | |
| 28 | 900.102.381 | 4 | SCREW TE M12x100 | VIS TE M12x100 | VITE TE M12x100 | SCHRAUBE TE M12x100 | TORNILLO TE M12x100 | |
| 29 | 900.104.105 | 4 | WASHER GROWER 12 | RONDELLE GROWER 12 | RONDELLA GROWER 12 | ZWISCHENSCH.GROWER12 | ARANDELA GROWER 12 | |
| 30 | 900.103.035 | 12 | NUT M12 | ECROU M12 | DADO M12 | MUTTER M12 | TUERCA M12 | |
| 31 | 900.252.026 | 1 | PIN | TOURILLON | PERNO | STIFT | PERNO | |
| 32 | 900.102.281 | 6 | SCREW TE M16x60 | VIS TE M16x60 | VITE TE M16x60 | SCHRAUBE TE M16x60 | TORNILLO TE M16x60 | |
| 33 | 900.104.107 | 6 | WASHER GROWER 16 | RONDELLE GROWER 16 | RONDELLA GROWER 16 | ZWISCHENSCH.GROWER16 | ARANDELA GROWER 16 | |
| 34 | 900.104.043 | 2 | WASHER 16x32 | RONDELLE 16x32 | RONDELLA 16x32 | ZWISCHENSCH. 16x32 | ARANDELA 16x32 | |
| 35 | 900.103.109 | 2 | NUT M16 | ECROU M16 | DADO M16 | MUTTER M16 | TUERCA M16 | |
| 36 | 900.252.029 | 1 | TIE ROD | BIELLE | BIELLA | STANGE | BIELA | |
| 37 | 900.104.053 | 7 | WASHER 31x56x4 | RONDELLE 31x56x4 | RONDELLA 31x56x4 | ZWISCHENSCH. 31x56x4 | ARANDELA 31x56x4 | |
| 38 | 900.103.014 | 3 | RING NUT BLOCK 30x1,5 | EMBOUT BLOCK 30x1,5 | GHIERA BLOCK 30x1,5 | NUTMUTTER BLOCK 30x1,5 | TUERCA BLOCK 30x1,5 | |
| 39 | 900.252.008 | 2 | BUSH KU 8540 | COQUILLE KU 8540 | BOCCOLA KU 8540 | BUCHSE KU 8540 | CASQUILLO KU 8540 | |
| 40 | 900.277.008 | 1 | PIN | TOURILLON | PERNO | STIFT | PERNO | |
| 41 | 900.102.383 | 6 | SCREW TE M10x70 | VIS TE M10x70 | VITE TE M10x70 | SCHRAUBE TE M10x70 | TORNILLO TE M10x70 | |
| 42 | 900.252.027 | 1 | FORK | FOURCHETTE | FORCELLA | GABEL | HORQUILLA | |
| 43 | 900.252.002 | 1 | WASHER | RONDELLE | RONDELLA | ZWISCHENSCH. 16x32 | ARANDELA | |
| 44 | 900.252.003 | 1 | TIE ROD | BIELLE | BIELLA | STANGE | BIELA | |
| 45 | 900.252.006 | 2 | BUSH KU 4020 | COQUILLE KU 4020 | BOCCOLA KU 4020 | BUCHSE KU 4020 | CASQUILLO KU 4020 | |
| 46 | 900.104.116 | 1 | WASHER 40x72x6 | RONDELLE 40x72x6 | RONDELLA 40x72x6 | ZWISCHENSCH.40x72x6 | ARANDELA 40x72x6 | |
| 47 | 900.103.033 | 2 | RING NUT BLOCK 40x1,5 | EMBOUT BLOCK 40x1,5 | GHIERA BLOCK 40x1,5 | NUTMUTTER BLOCK 40x1,5 | TUERCA BLOCK 40x1,5 | |
| 49 | 900.252.030 | 2 | ARM | BRAS | BRACCIO | ARM | BRAZO | |
| 50 | 900.102.382 | 3 | SCREW TE M30x130 | VIS TE M30x130 | VITE TE M30x130 | SCHRAUBE TE M30x130 | TORNILLO TE M30x130 | |
| 51 | 900.103.130 | 3 | NUT BLOCK M30 | ECROU BLOCK M30 | DADO BLOCK M30 | MUTTER BLOCK M30 | TUERCA BLOCK M30 | |
| 52 | 900.105.015 | 6 | GREASE NIPPLE M8x1,25 | GRAISSEUR M8x1,25 | INGRASSATORE M8x1,25 | SCHMIERNIPPEL M8x1,25 | ENGRASADOR M8x1,25 | |
| 53 | 900.252.007 | 10 | BUSH KU 3550 | COQUILLE KU 3550 | BOCCOLA KU 3550 | BUCHSE KU 3550 | CASQUILLO KU 3550 | |
| 54 | 900.277.009 | 4 | PIN | TOURILLON | PERNO | STIFT | PERNO | |
| 55 | 900.103.069 | 5 | RING NUT BLOCK 35x1,5 | EMBOUT BLOCK 35x1,5 | GHIERA BLOCK 35x1,5 | NUTMUTTER BLOCK 35x1,5 | TUERCA BLOCK 35x1,5 | |
| 56 | 900.252.028 | 1 | FORK | FOURCHETTE | FORCELLA | GABEL | HORQUILLA | TDF-M |
| 56 | 900.252.045 | 1 | FORK | FOURCHETTE | FORCELLA | GABEL | HORQUILLA | TDF-HD |
| 57 | 900.277.005 | 1 | PIN | TOURILLON | PERNO | STIFT | PERNO | |
| 58 | 900.108.017 | 2 | SPLIT PIN R 5 | GOUPILLE R 5 | COPIGLIA R 5 | ARRETIERUNG R 5 | PASADOR R 5 | |
| 59 | 900.238.001 | 2 | STAND | SUPPORT | SOSTEGNO | STUETZE | SOPORTE | |
| 60 | 900.207.008 | 2 | PIN | CHEVILLE | SPINA | DORN | CLAVIJA | |
| 61 | 900.108.005 | 2 | SPLIT PIN R 3 | GOUPILLE R 3 | COPIGLIA R 3 | ARRETIERUNG R 3 | PASADOR R 3 | |
| 62 | 900.252.031 | 1 | FRONT FRAME | CHASSIS AV. | TELAIO ANT. | FRONTGEHAUSE | BASTIDOR ANT. | TDF-M |
| 62 | 900.252.044 | 1 | FRONT FRAME | CHASSIS AV. | TELAIO ANT. | FRONTGEHAUSE | BASTIDOR ANT. | TDF-HD |
| 63 | 900.277.012 | 1 | PIN | TOURILLON | PERNO | STIFT | PERNO | |
| 64 | 900.108.042 | 3 | CLICK PIN 10 | CHEVILLE DECKIC 10 | SPINA A SCATTO 10 | SCHNAPPSTIFT 10 | CLAVIJA DE RES. 10 | |
| 65 | 900.277.010 | 2 | PIN | TOURILLON | PERNO | STIFT | PERNO | |
| 66 | 900.104.090 | 2 | WASHER GROWER 24 | RONDELLE GROWER 24 | RONDELLA GROWER 24 | ZWISCHENSCH.GROWER24 | ARANDELA GROWER 24 | |
| 67 | 900.103.048 | 2 | NUT M24x2 | ECROU M24x2 | DADO M24x2 | MUTTER M24x2 | TUERCA M24x2 | |
| 68 | 900.277.006 | 1 | PIN | TOURILLON | PERNO | STIFT | PERNO | TDF-M |
| 68 | 900.277.013 | 1 | PIN | TOURILLON | PERNO | STIFT | PERNO | TDF-HD |
| 69 | 900.252.005 | 2 | BUSH KU 3025 | COQUILLE KU 3025 | BOCCOLA KU 3025 | BUCHSE KU 3025 | CASQUILLO KU 3025 | |

M-2-1-0

| REF | CODE | QTY | ENGLISH | FRANÇAIS | ITALIANO | DEUTSCH | ESPAÑOL | NOTE |
|-----|---------------|-----|------------------------|------------------------|-----------------------|-------------------------|-----------------------|------|
| 71 | 900.275.010 | 1 | CYLINDER | VERIN | CILINDRO | ZYLINDER | CILINDRO | |
| 72 | 900.275.011 | 1 | CYLINDER | VERIN | CILINDRO | ZYLINDER | CILINDRO | |
| 73 | 900.276.040 | 2 | PIPE | TUBE | TUBO | ROHR | TUBO | |
| 74 | 900.276.041.1 | 2 | PIPE | TUBE | TUBO | ROHR | TUBO | |
| 75 | 900.104.033 | 4 | WASHER COPPER 1/2" | RONDELLE CUIVRE 1/2" | RONDELLA RAME 1/2" | ZWISCHENSCH.KUPFER 1/2" | ARANDELA COBRE 1/2" | |
| 76 | 900.237.174 | 4 | JACK 1/2" | EMBRAYAGE 1/2" | INNESTO 1/2" | VERBINDEN 1/2" | CONEXION 1/2" | |
| 77 | 900.237.108 | 2 | NIPPLES 3/8"-3/8" | NIPPLES 3/8"-3/8" | NIPPLES 3/8"-3/8" | NIPPEL 3/8"-3/8" | NIPPLES 3/8"-3/8" | |
| 78 | 900.104.039 | 10 | WASHER COPPER 3/8" | RONDELLE CUIVRE 3/8" | RONDELLA RAME 3/8" | ZWISCHENSCH.KUPFER 3/8" | ARANDELA COBRE 3/8" | |
| 79 | 900.102.269 | 2 | BOLT DRILLED 3/8" | BOULON AVEC TROUS 3/8" | BULLONE FORATO 3/8" | SCHRAUBB. GEBORH 3/8" | BULON OJOS 3/8" | |
| 80 | 900.276.039 | 4 | SUPPORT | SUPPORTO | SUPPORTO | STUETZE | SOPORTE | |
| 81 | 900.117.100 | 2 | GUARD | PROTECTION | PROTEZIONE | SCHUTZ | PROTECCION | |
| 82 | 900.105.014 | 1 | GREASE NIPPLE M6x1 90° | GRAISSEUR M6x1 90° | INGRASS. M6x1 90° | SCHMIERNIPPEL M6x1 90° | ENGRASADOR M6x1 90° | |
| 83 | 900.109.011 | 2 | PLUG | BOUCHON | TAPPO | DECKEL | TAPON | |
| 84 | 900.276.042 | 2 | SHEAT | ENVELOPP | GUAINA ANT. L= 3400 | SCHEIDE | FUNDA | |
| 84 | 900.276.043 | 2 | SHEAT | ENVELOPP | GUAINA ANT. L= 1600 | SCHEIDE | FUNDA | |
| 85 | 900.276.035 | 6 | PIPE-HOLDER CLAMP | BANDE TUBE ARR. | FASCETTA FERMATUBO | BINDE ROHR-HALTER | BANDEJA PUNTATUBO | |
| 86 | 900.117.105 | 1 | PTO SHAFT SUPPORT | CARDAN SUPPORT | SOSTEGNO CARDANO | G.WELLE STUETZE | SOPORTE CARDANO | |
| 87 | 900.117.106 | 1 | HITCH SUPPORT | LIAISON SUPPORT | AGGANCIO SOSTEGNO | HANG. STUETZE | AGGANGIO SOPORTE | |
| 88 | 900.102.147 | 1 | SCREW TE M8x25 | VIS TE M8x25 | VITE TE M8x25 | SCHRAUBE TE M8x25 | TORNILLO TE M8x25 | |
| 89 | 900.104.052 | 1 | WASHER 8x17 | RONDELLE 8x17 | RONDELLA 8x17 | ZWISCHENSCH. 8x17 | ARANDELA 8x17 | |
| 90 | 900.103.020 | 1 | NUT BLOCK M8 | ECROU BLOCK M8 | DADO BLOCK M8 | MUTTER BLOCK M8 | TUERCA BLOCK M8 | |
| 91 | 900.276.028 | 2 | NIPPLES 1/2"-1/2" D.1 | NIPPLES 1/2"-1/2" D.1 | NIPPLES 1/2"-1/2" D.1 | NIPPEL 1/2"-1/2" D.1 | NIPPLES 1/2"-1/2" D.1 | |
| 92 | 900.276.044 | 2 | BOLT DRILLED 3/8" D.1 | BOUL.TROUS 3/8"D.1 | BULL. FORATO 3/8" D.1 | SCHRAUBB. GEB. 3/8" D.1 | BULON OJOS 3/8" D.1 | |
| 93 | 900.252.087 | 1 | PLATE | PLAQUE | PIASTRA DI CHIUSURA | PLATTE | PLACA | |