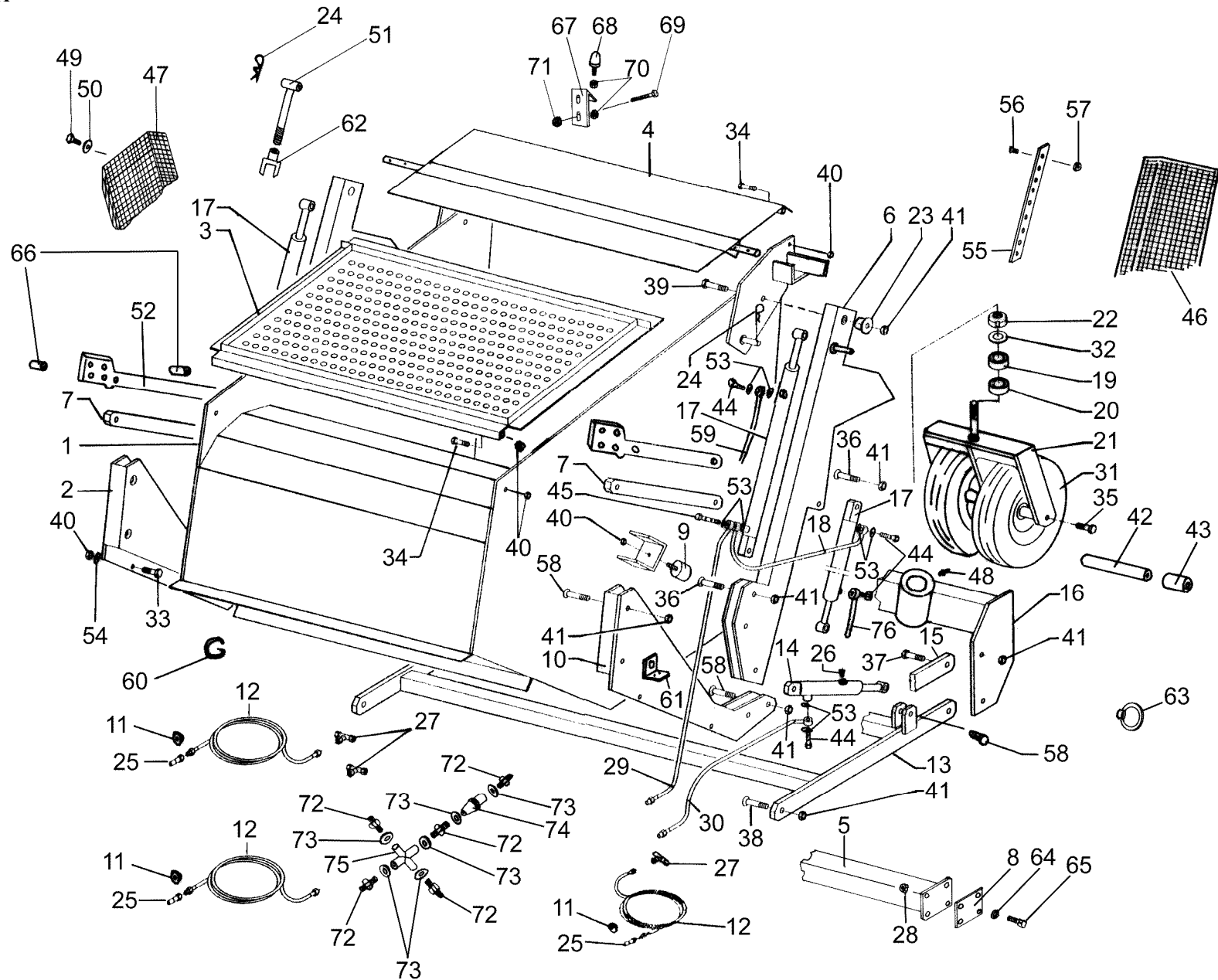


HIGH DISCHARGE
DESCARGEMENT HAUT
SCARICO ALTO
HOCH AUSWURF
DESCARGA ALTA

TRIS-H



K-1-4-1

K-1-4-1

REF	CODE	QTY	ENGLISH	FRANÇAIS	ITALIANO	DEUTSCH	ESPAÑOL	NOTE
1	900.234.006.0	1	COLLECTOR	COLLECTEUR	CASSONE	KASTEN	RECOGEDOR	120
1	900.234.007.0	1	COLLECTOR	COLLECTEUR	CASSONE	KASTEN	RECOGEDOR	150
1	900.234.008.0	1	COLLECTOR	COLLECTEUR	CASSONE	KASTEN	RECOGEDOR	180
2	900.234.033	1	FLASK	MOULE	STAFFA	KLAUE	PLETINA	
3	900.234.020	1	LID	COUVERCLE	COPERCHIO	DECKEL	TAPA	120
3	900.234.021	1	LID	COUVERCLE	COPERCHIO	DECKEL	TAPA	150
3	900.234.022	1	LID	COUVERCLE	COPERCHIO	DECKEL	TAPA	180
4	900.234.017.1	1	LID	COUVERCLE	COPERCHIO	DECKEL	TAPA	120
4	900.234.018.1	1	LID	COUVERCLE	COPERCHIO	DECKEL	TAPA	150
4	900.234.019.1	1	LID	COUVERCLE	COPERCHIO	DECKEL	TAPA	180
5	900.234.121	1	MAST	MONTANT	MONTANTE	MASTEN	MONTANTE	120
5	900.234.122	1	MAST	MONTANT	MONTANTE	MASTEN	MONTANTE	150
5	900.234.123	1	MAST	MONTANT	MONTANTE	MASTEN	MONTANTE	180
6	900.234.116	1	MAST	MONTANT	MONTANTE	MASTEN	MONTANTE	120
6	900.234.117	1	MAST	MONTANT	MONTANTE	MASTEN	MONTANTE	150
6	900.234.118	1	MAST	MONTANT	MONTANTE	MASTEN	MONTANTE	180
7	900.234.038.0	2	CONNECT. ROD	BIELLE	BIELLA	PLEUEL	BIELA	
8	900.234.120	2	SHIM	EPAISSER REG.	SPESSORE REG.	STAERKE	ESPESOR REG.	
9	900.234.078	2	SHOCK ABSORVER	AMORTISSEUR	AMMORTIZZATORE	STOSSDAEMPFER	AMORTIGUADOR	
10	900.234.034	1	FLASK	MOULE	STAFFA	KLAUE	PLETINA	
11	900.104.033	3	WASHER	RONDELLE	RONDELLA	ZWISCHENSCHIEBE	ARANDELA	
12	900.234.044	3	PIPE	TUBE	TUBO	ROHR	TUBO	
13	900.234.070.0	1	FRAME	CHASSIS	TELAIO	RAHMEN	BASTIDOR	120
13	900.234.071.0	1	FRAME	CHASSIS	TELAIO	RAHMEN	BASTIDOR	150
13	900.234.072.0	1	FRAME	CHASSIS	TELAIO	RAHMEN	BASTIDOR	180
14	900.234.077	2	CYLINDER	VERIN	CILINDRO	ZYLINDER	CILINDRO	
15	900.234.073.0	2	TIE ROD	TIRANT	TIRANTE	ZUGSTANGE	TIRANTE	
16	900.234.067.0	1	FRAME	CHASSIS	TELAIO	RAHMEN	BASTIDOR	120
16	900.234.068.0	1	FRAME	CHASSIS	TELAIO	RAHMEN	BASTIDOR	150
16	900.234.069.0	1	FRAME	CHASSIS	TELAIO	RAHMEN	BASTIDOR	180
17	900.234.042.1	4	CYLINDER	VERIN	CILINDRO	ZYLINDER	CILINDRO	
18	900.234.054.0	2	PIPE	TUBE	TUBO	ROHR	TUBO	
19	900.100.043	2	BEARING	ROULEMENT	CUSCINETTO	KUGELLAGER	COJINETE	
20	900.100.115	2	BEARING	ROULEMENT	CUSCINETTO	KUGELLAGER	COJINETE	
21	900.234.074.0	2	FORK	FOURCHETTE	FORCELLA	GABEL	HORQUILLA	
22	900.103.030.T	2	RING NUT	EMBOUT	GHIERA	NUTMUTTER	CASQUILLO	
23	900.234.039	2	BUSH	COQUILLE	BOCCOLA	BUCHSE	CASQUILLO	
24	900.108.005	6	SPLIT PIN	GOUPILLE	COPIGLIA	ARRETIERUNG	PASADOR	
25	900.237.174	3	JACK	EMBRYAGE	INNESTO	VERBINDEN	CONEXION	
26	900.237.201	2	SILENCER	SILENCIEUX	SILENZIATORE	DAEMPFER	SILENCIADOR	
27	900.237.258	3	FITTING	RACCORD	RACCORDO	FEDER	RACORD	
28	900.103.019.T	8	NUT	ECROU	DADO	MUTTER	TUERCA	
29	900.234.048	2	PIPE	TUBE	TUBO	ROHR	TUBO	120
29	900.234.049	2	PIPE	TUBE	TUBO	ROHR	TUBO	150
29	900.234.053	2	PIPE	TUBE	TUBO	ROHR	TUBO	180
30	900.234.055	2	PIPE	TUBE	TUBO	ROHR	TUBO	120
30	900.234.056	2	PIPE	TUBE	TUBO	ROHR	TUBO	150
30	900.234.057	2	PIPE	TUBE	TUBO	ROHR	TUBO	180
31	900.234.076	4	WHEEL	ROUE	RUOTA	RAD	RUEDA	
32	900.234.103	2	WASHER	RONDELLE	RONDELLA	ZWISCHENSCHIEBE	ARANDELA	

K-1-4-1

REF	CODE	QTY	ENGLISH	FRANÇAIS	ITALIANO	DEUTSCH	ESPAÑOL	NOTE
33	900.102.078.T	4	SCREW	VIS	VITE	SCHRAUBE	TORNILLO	
34	900.102.171.T	4	SCREW	VIS	VITE	SCHRAUBE	TORNILLO	
35	900.102.130.T	4	SCREW	VIS	VITE	SCHRAUBE	TORNILLO	
36	900.102.280	6	SCREW	VIS	VITE	SCHRAUBE	TORNILLO	
37	900.102.235.T	2	SCREW	VIS	VITE	SCHRAUBE	TORNILLO	
38	900.102.258	2	SCREW	VIS	VITE	SCHRAUBE	TORNILLO	
39	900.102.213.T	2	SCREW	VIS	VITE	SCHRAUBE	TORNILLO	
40	900.103.018.T	10	NUT	ECROU	DADO	MUTTER	TUERCA	
41	900.103.023.T	24	NUT	ECROU	DADO	MUTTER	TUERCA	
42	900.234.075.0	2	WHEEL STUD	TOURILLON ROUE	PERNO RUOTA	RADZAPFEN	PERNO RUEDA	
43	900.234.079.0	8	SPACER	ENTRETOISE	DISTANZIALE	ABSTANDSRING	DISTANCIADOR	
44	900.102.257	6	BOLT	BOULON	BULLONE	SCHRAUBBOLZEN	BULON	
45	900.102.259	2	BOLT	BOULON	BULLONE	SCHRAUBBOLZEN	BULON	
46	900.234.037	1	GUARD	PROTECTION	PROTEZIONE	SCHUTZ	PROTECCION	
47	900.234.089	1	GUARD	PROTECTION	PROTEZIONE	SCHUTZ	PROTECCION	
48	900.105.007	2	GREASE NIPPLE	GRAISSEUR	INGRASSATORE	SCHMIERNIPPEN	ENGRASADOR	
49	900.102.256.T	6	SCREW	VIS	VITE	SCHRAUBE	TORNILLO	
50	900.104.057	6	WASHER	RONDELLE	RONDELLA	ZWISCHENSCHIEBE	ARANDELA	
51	900.234.102	2	CONNECT. ROD	BIELLE	BIELLA	PLEUEL	BIELA	
52	900.234.108.0	2	CONNECT. ROD	BIELLE	BIELLA	PLEUEL	BIELA	
53	900.104.041	16	WASHER	RONDELLE	RONDELLA	ZWISCHENSCHIEBE	ARANDELA	
54	900.104.045	4	WASHER	RONDELLE	RONDELLA	ZWISCHENSCHIEBE	ARANDELA	
55	900.234.088	2	PLATE	PLAT	PIATTO	PLATTE	PLACA	
56	900.102.285	14	SCREW	VIS	VITE	SCHRAUBE	TORNILLO	
57	900.103.118	14	NUT	ECROU	DADO	MUTTER	TUERCA	
58	900.102.083.T	12	SCREW	VIS	VITE	SCHRAUBE	TORNILLO	
59	900.234.082.0	1	PIPE	TUBE	TUBO	ROHR	TUBO	120
59	900.234.083.0	1	PIPE	TUBE	TUBO	ROHR	TUBO	150
59	900.234.084.0	1	PIPE	TUBE	TUBO	ROHR	TUBO	180
60	900.245.089	2	CLAMP	BORNE A VIS	MORSETTO	KLEMME	TERMINAL	
61	900.234.085.0	2	ANGULAR	CORNIERE	ANGOLARE	WINKEL	RACORD	
62	900.103.116	2	FORK	FOURCHETTE	FORCELLA	GABEL	HORQUILLA	
63	900.103.115	2	TRANSP. RING	ANNEAU	GOLFARE	TRANSPORTING	ANILLO	
64	900.104.046	8	WASHER	RONDELLE	RONDELLA	ZWISCHENSCHIEBE	ARANDELA	
65	900.102.065.T	8	SCREW	VIS	VITE	SCHRAUBE	TORNILLO	
66	900.234.115	8	BUSH	COQUILLE	BOCCOLA	BUCHSE	CASQUILLO	
67	900.234.110	1	SUPPORT	SUPPORT	SUPPORTO	STUETZE	SOPORTE	
68	900.234.111	1	SHOCK ABSORVER	AMORTISSEUR	AMMORTIZZATORE	STOSSDAEMPFER	AMORTIGUADOR	
69	900.102.078.T	2	SCREW	VIS	VITE	SCHRAUBE	TORNILLO	
70	900.103.053.T	2	NUT	ECROU	DADO	MUTTER	TUERCA	
71	900.103.054.T	2	NUT	ECROU	DADO	MUTTER	TUERCA	
72	900.237.108	5	NIPPLES	NIPPLES	NIPPLES	NIPPEL	NIPPLES	
73	900.104.039	6	WASHER	RONDELLE	RONDELLA	ZWISCHENSCHIEBE	ARANDELA	
74	900.245.019	1	VALVE	VALVE	VALVOLA	VENTILE	VALVULA	
75	900.237.066	1	FITTING	RACCORD	RACCORDO	FEDER	RACORD	
76	900.234.082.0	2	PIPE	TUBE	TUBO	ROHR	TUBO	120
76	900.234.083.0	2	PIPE	TUBE	TUBO	ROHR	TUBO	150
76	900.234.084.0	2	PIPE	TUBE	TUBO	ROHR	TUBO	180