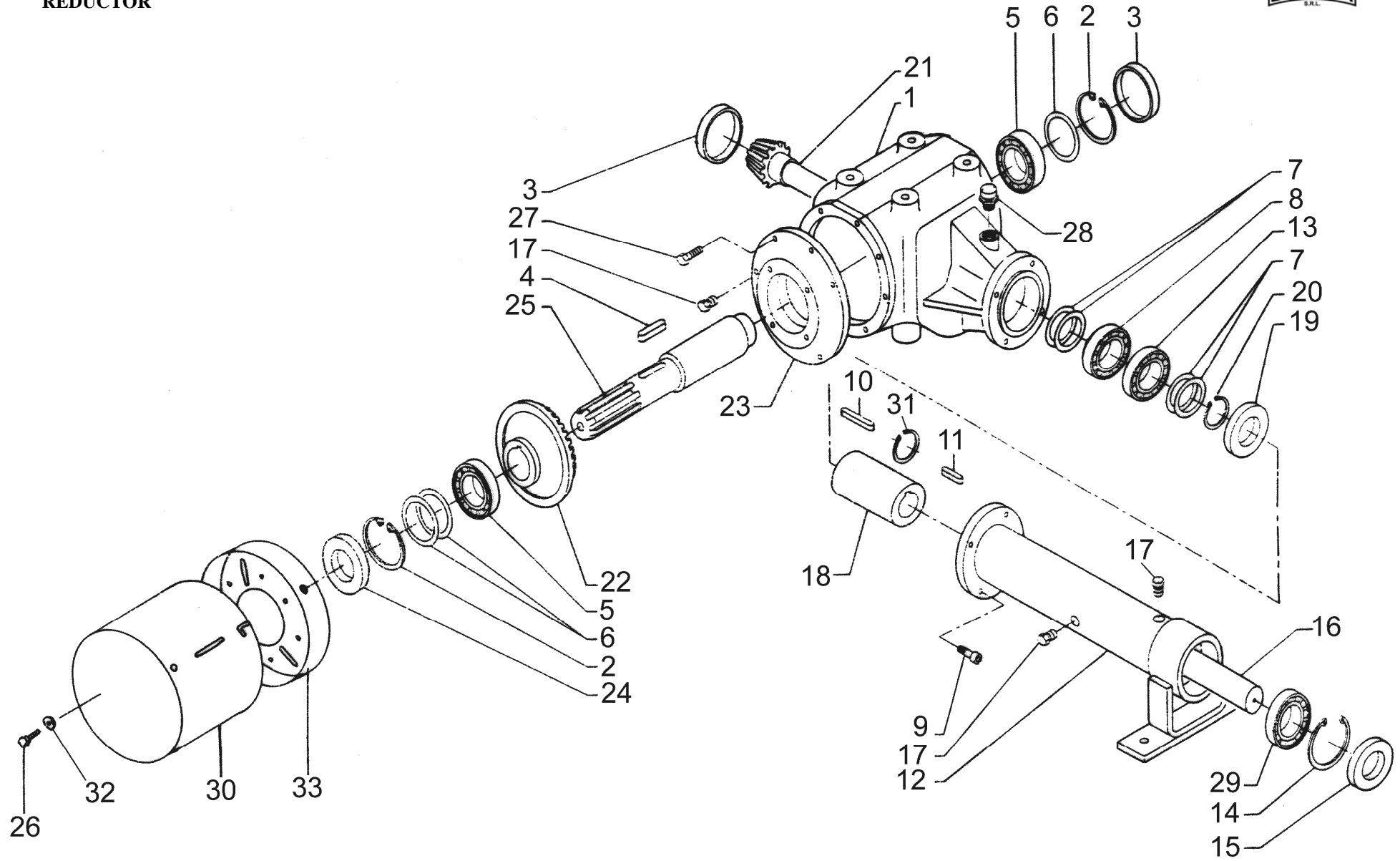


GEARBOX  
BOITE DE VITESSE  
GRUPPO  
GETRIEBE  
REDUCTOR

# VFM-2 VFI-2



## H-13-2-0

| REF | CODE        | QTY | ENGLISH      | FRANÇAIS   | ITALIANO   | DEUTSCH         | ESPAÑOL     | NOTE |
|-----|-------------|-----|--------------|------------|------------|-----------------|-------------|------|
| 1   | 900.240.250 | 1   | CASE         | BOITE      | SCATOLA    | KISTE           | CAJA        |      |
| 2   | 900.106.011 | 2   | CIRCLIP      | SERFLEX    | SEEGER     | SEEGER          | SEEGER      |      |
| 3   | 900.240.253 | 2   | LID          | COUVERCLE  | COPERCHIO  | DECKEL          | TAPA        |      |
| 4   | 900.105.029 | 1   | KEY          | CLAVETTE   | CHIAVETTA  | KEIL            | CHAVETA     |      |
| 5   | 900.100.033 | 2   | BEARING      | ROULEMENT  | CUSCINETTO | KUGELLAGER      | COJINETE    |      |
| 6   | 900.107.066 | 2   | SHIM         | EPAISSEUR  | SPESSORE   | STAERKE         | ESPESOR     |      |
| 7   | 900.107.048 | 2   | SHIM         | EPAISSEUR  | SPESSORE   | STAERKE         | ESPESOR     |      |
| 8   | 900.100.037 | 1   | BEARING      | ROULEMENT  | CUSCINETTO | KUGELLAGER      | COJINETE    |      |
| 9   | 900.102.206 | 4   | SCREW        | VIS        | VITE       | SCHRAUBE        | TORNILLO    |      |
| 10  | 900.105.044 | 1   | KEY          | CLAVETTE   | CHIAVETTA  | KEIL            | CHAVETA     |      |
| 11  | 900.105.005 | 1   | KEY          | CLAVETTE   | CHIAVETTA  | KEIL            | CHAVETA     |      |
| 12  | 900.240.013 | 1   | TUBE         | TUBE       | CANNOTTO   | ROHR            | TUBO        |      |
| 13  | 900.100.008 | 1   | BEARING      | ROULEMENT  | CUSCINETTO | KUGELLAGER      | COJINETE    |      |
| 14  | 900.106.005 | 1   | CIRCLIP      | SERFLEX    | SEEGER     | SEEGER          | SEEGER      |      |
| 15  | 900.101.076 | 1   | OIL SEAL     | PARE-HUILE | PARAOLIO   | SIMMERRING      | PARA-ACEITE |      |
| 16  | 900.240.064 | 1   | SHAFT        | ARBRE      | ALBERO     | WELLE           | EJE         |      |
| 17  | 900.102.079 | 3   | PLUG         | BOUCHON    | TAPPO      | DECKEL          | TAPON       |      |
| 18  | 900.240.255 | 1   | BUSH         | COQUILLE   | BOCCOLA    | BUCHSE          | CASQUILLO   |      |
| 19  | 900.101.009 | 1   | OIL SEAL     | PARE-HUILE | PARAOLIO   | SIMMERRING      | PARA-ACEITE |      |
| 20  | 900.106.013 | 1   | CIRCLIP      | SERFLEX    | SEEGER     | SEEGER          | SEEGER      |      |
| 21  | 900.240.254 | 1   | PINION       | PIGNON     | PIGNONE    | RITZEL          | PINON       |      |
| 22  | 900.240.251 | 1   | CROWN        | COURONNE   | CORONA     | TELLERRAD       | CORONA      |      |
| 23  | 900.240.252 | 1   | FLANGE       | FLASQUE    | FLANGIA    | FLANSCH         | BRIDA       |      |
| 24  | 900.101.066 | 1   | OIL SEAL     | PARE-HUILE | PARAOLIO   | SIMMERRING      | PARA-ACEITE |      |
| 25  | 900.240.260 | 1   | SHAFT        | ARBRE      | ALBERO     | WELLE           | EJE         |      |
| 26  | 900.102.256 | 2   | SCREW        | VIS        | VITE       | SCHRAUBE        | TORNILLO    |      |
| 27  | 900.102.011 | 8   | SCREW        | VIS        | VITE       | SCHRAUBE        | TORNILLO    |      |
| 28  | 900.102.236 | 1   | PLUG         | BOUCHON    | TAPPO      | DECKEL          | TAPON       |      |
| 29  | 900.100.016 | 1   | BEARING      | ROULEMENT  | CUSCINETTO | KUGELLAGER      | COJINETE    |      |
| 30  | 900.117.072 | 1   | GUARD        | PROTECTION | PROTEZIONE | SCHUTZ          | PROTECCION  |      |
| 31  | 900.106.026 | 1   | CIRCLIP      | SERFLEX    | SEEGER     | SEEGER          | SEEGER      |      |
| 32  | 900.104.057 | 2   | WASHER       | RONDELLE   | RONDELLA   | ZWISCHENSCHIEBE | ARANDELA    |      |
| 33  | 900.117.070 | 1   | PROT. HOLDER | DISQUE     | FONDELLO   | ZWSCHUTZHALTER  | DISCO       |      |