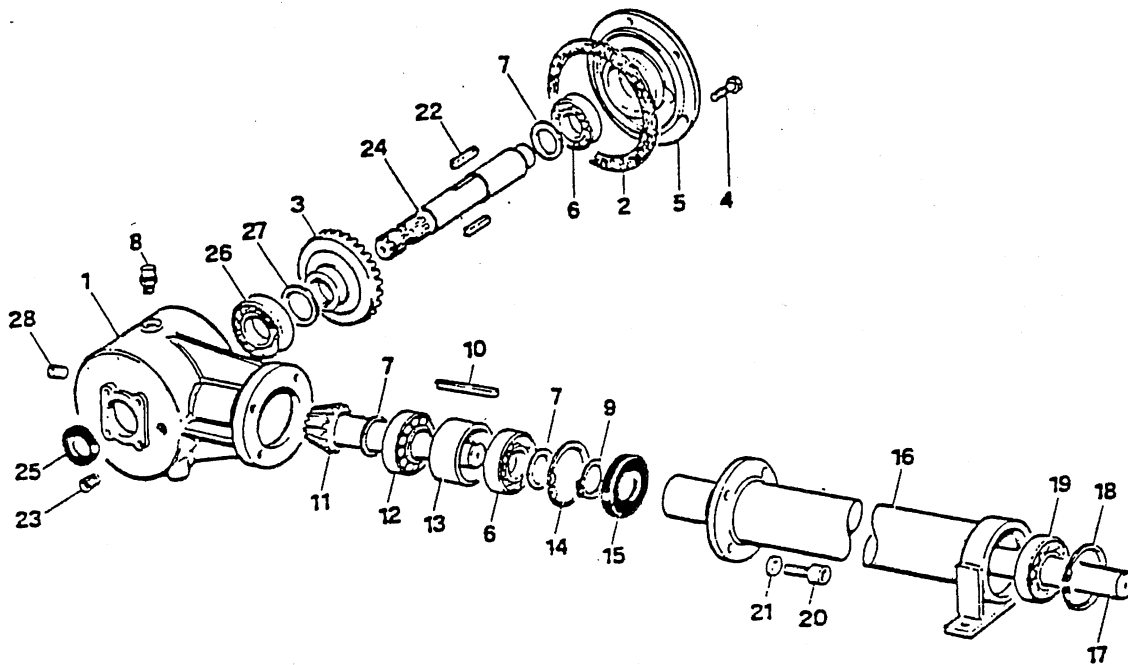




# VN-2

GEARBOX-BOITE DE VITESSE-GRUPPO-GETRIEBE-REDUCTOR H.10.2.0



REF	CODE	QTY	ENGLISH	FRANÇAIS	ITALIANO	DEUTSCH	ESPAÑOL	NOTE
VN-2								H.10.2.0
1	900.240.250	1	CASE	BOITE	SCATOLA	KISTE	CAJA	
2	900.107.066	2	SHIM	EPAISSEUR	SPESSORE REG.	STAERKE	ESPEJOR REG.	
3	900.240.251	1	CROWN	COURONNE	CORONA	TELLERRAD	CORONA	
4	900.106.011	2	CIRCLIP	SERFLEX	SEEGER	SEEGER	SEEGER	
5	900.240.252	1	LID	COUVERCLE	COPERCHIO	DECKEL	TAPA	
6	900.100.033	2	BEARING	ROULEMENT	CUSCINETTO	KUGELLAGER	COJINETE	
7	900.107.048	2	SHIM	EPAISSEUR	SPESSORE REG.	STAERKE	ESPEJOR REG.	
8	900.102.079	1	PLUG	BOUCHON	TAPPO	ZAPFEN	TAPON	
9	900.240.253	2	LID	COUVERCLE	COPERCHIO	DECKEL	TAPA	
10	900.105.044	1	KEY	CLAVETTE	CHIAVETTA	KEIL	CHAVETA	
11	900.240.254	1	PINION	PIGNON	PIGNONE	IRITZEL	PINON	
12	900.100.037	1	BEARING	ROULEMENT	CUSCINETTO	KUGELLAGER	COJINETE	
13	900.240.255	1	BUSH	COQUILLE	BOCCOLA	BUCHSE	CASQUILLO	
14	900.106.013	1	CIRCLIP	SERFLEX	SEEGER	SEEGER	SEEGER	
15	900.101.009.A	1	OIL SEAL	PARE-HUILE	PARAOLIO	SIMMERRING	PARA-ACEITE	
16	900.240.013	1	EXTENSION	PROLONGE	PROLUNGA	VERLAENGERUNG	PROLONGACION	125-200
17	900.240.064	1	SHAFT	ARBRE	ALBERO	WELLE	EJE	125-200
18	900.106.005	1	CIRCLIP	SERFLEX	SEEGER	SEEGER	SEEGER	
19	900.100.016	1	BEARING	ROULEMENT	CUSCINETTO	KUGELLAGER	COJINETE	
20	900.102.206	4	BOLT	VIS	VITE	SCHRAUBE	TORNILLO	
21	900.106.026	1	CIRCLIP	SERFLEX	SEEGER	SEEGER	SEEGER	
22	900.105.029	1	KEY	CLAVETTE	CHIAVETTA	KEIL	CHAVETA	
23	900.102.280	3	PLUG	BOUCHON	TAPPO	ZAPFEN	TAPON	
24	900.240.260	1	SHAFT	ARBRE	ALBERO	WELLE	EJE	
25	900.101.066	1	OIL SEAL	PARE-HUILE	PARAOLIO	SIMMERRING	PARA-ACEITE	
26	900.102.011	8	BOLT	VIS	VITE	SCHRAUBE	TORNILLO	
27	900.101.076	1	OIL SEAL	PARE-HUILE	PARAOLIO	SIMMERRING	PARA-ACEITE	
28	900.105.005	1	KEY	CLAVETTE	CHIAVETTA	KEIL	CHAVETA	
29	900.100.008	1	BEARING	ROULEMENT	CUSCINETTO	KUGELLAGER	COJINETE	
30	900.117.070	1	PROT. HOLDER	DISQUE	FONDELLO	ZWSCHUTZHALTER	DISCO	
31	900.117.072	1	GUARD	PROTECTION	PROTEZIONE	SCHUTZ	PROTECCION	
32	900.102.256	7	BOLT	VIS	VITE	SCHRAUBE	TORNILLO	
33	900.104.054	4	WASHER	RONDELLE	RONDELLA	ZWISCHENSCHIEBE	ARANDELA	