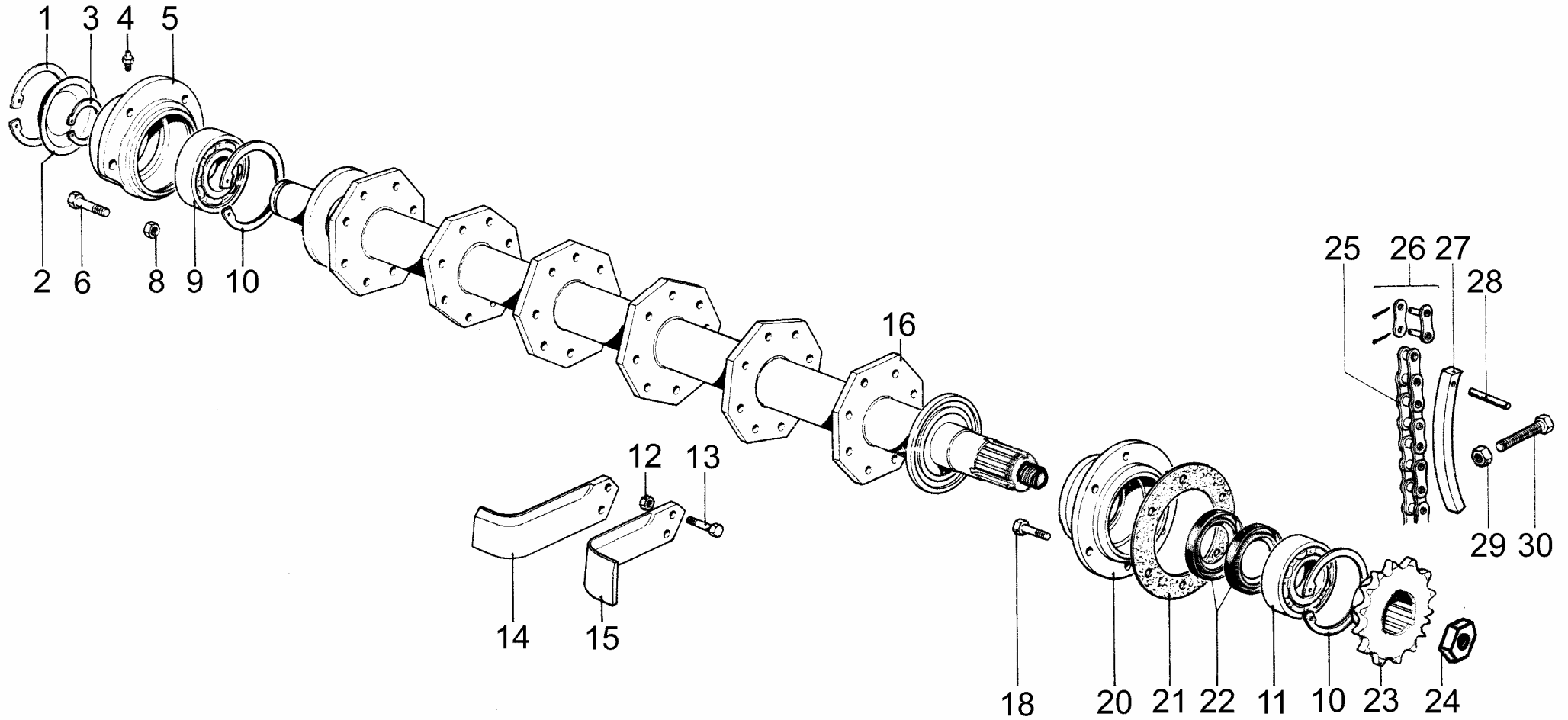


ROTOR  
ROTOR  
ROTORE  
ROTOR  
ROTOR

# WEEK END



A-1-3-0

REF	CODE	QTY	ENGLISH	FRANÇAIS	ITALIANO	DEUTSCH	ESPAÑOL	NOTE
1	900.106.011	1	CIRCLIP	SERFLEX	SEEGER	SEEGER	SEEGER	
2	900.110.052	1	CLAMPING	CHAPEAU	CAPPELOTTO	KAPPE	CAPUCHON	
3	900.106.013	1	CIRCLIP	SERFLEX	SEEGER	SEEGER	SEEGER	
4	900.105.007	1	GREASE NIPPLE	GRAISSEUR	INGRASSATORE	SCHMIERNIPPEL	ENGRASADOR	
5	900.110.051	1	SUPPORT	SUPPORT	SUPPORTO	STUETZE	SOPORTE	
6	900.102.012	4	SCREW	VIS	VITE	SCHRAUBE	TORNILLO	
8	900.103.002	4	NUT	ECROU	DADO	MUTTER	TUERCA	
9	900.100.015	1	BEARING	ROULEMENT	CUSCINETTO	KUGELLAGER	COJINETE	
10	900.106.011	2	CIRCLIP	SERFLEX	SEEGER	SEEGER	SEEGER	
11	900.100.033	1	BEARING	ROULEMENT	CUSCINETTO	KUGELLAGER	COJINETE	
12	900.103.083.T	--	NUT	ECROU	DADO	MUTTER	TUERCA	
13	900.102.150	--	SCREW	VIS	VITE	SCHRAUBE	TORNILLO	
14	900.111.022	--	BLADE	LAME	ZAPPETTA	MESSER	AZADA	
15	900.111.021	--	BLADE	LAME	ZAPPETTA	MESSER	AZADA	
16	900.110.085	1	ROTOR	ROTOR	ROTORE	ROTOR	ROTOR	80
16	900.110.086	1	ROTOR	ROTOR	ROTORE	ROTOR	ROTOR	100
16	900.110.087	1	ROTOR	ROTOR	ROTORE	ROTOR	ROTOR	120
18	900.102.012	6	SCREW	VIS	VITE	SCHRAUBE	TORNILLO	
20	900.110.047	1	SUPPORT	SUPPORT	SUPPORTO	STUETZE	SOPORTE	
21	900.139.061	1	GASKET	JOINT	GUARNIZIONE	DICHTUNG	JUNTA	
22	900.101.035	2	OIL SEAL	PARE-HUILE	PARAOLIO	SIMMERRING	PARA-ACEITE	
23	900.112.067	1	PINION	PIGNON	PIGNONE	RITZEL	PINON	
24	900.103.030.T	1	RING NUT	EMBOUT	GHIERA	NUTMUTTER	CASQUILLO	> 53690
25	900.112.050	1	CHAIN	CHAINE	CATENA	KETTE	CADENA	
26	900.112.039	1	JOINT	JOINT	GIUNTO	GELENK	UNION	
27	900.113.018	1	STRETCHER	TENDEUR	TENDICATENA	KETTENSANNER	TENSOR CADENA	
28	900.113.014	1	PIN	TOURILLON	PERNO	STIFT	PERNO	
29	900.103.005	1	NUT	ECROU	DADO	MUTTER	TUERCA	
30	900.102.132	1	SCREW	VIS	VITE	SCHRAUBE	TORNILLO	