

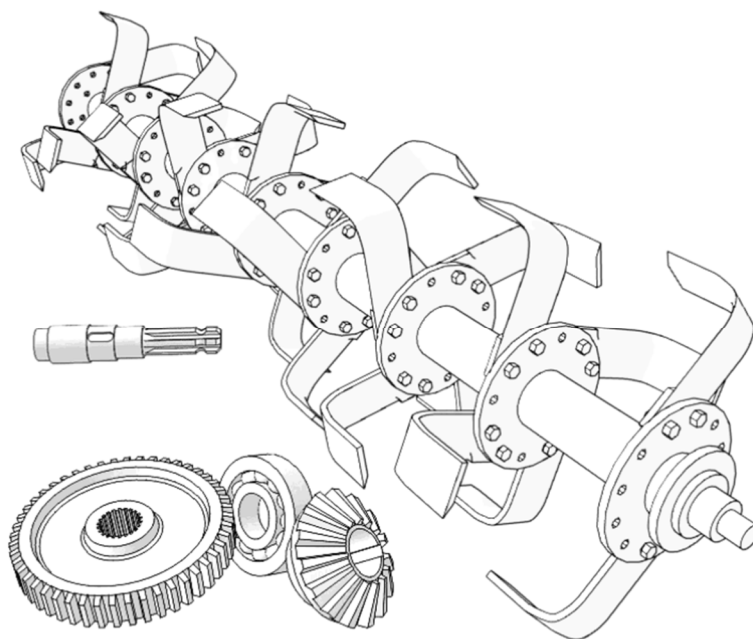


*SPARE PARTS CATALOGUE  
CATALOGUE DE PIÈCES DÉTACHÉES  
CATALOGO RICAMBI  
ERSATZKATALOG  
CATÁLOGO DE REPUESTOS*

---

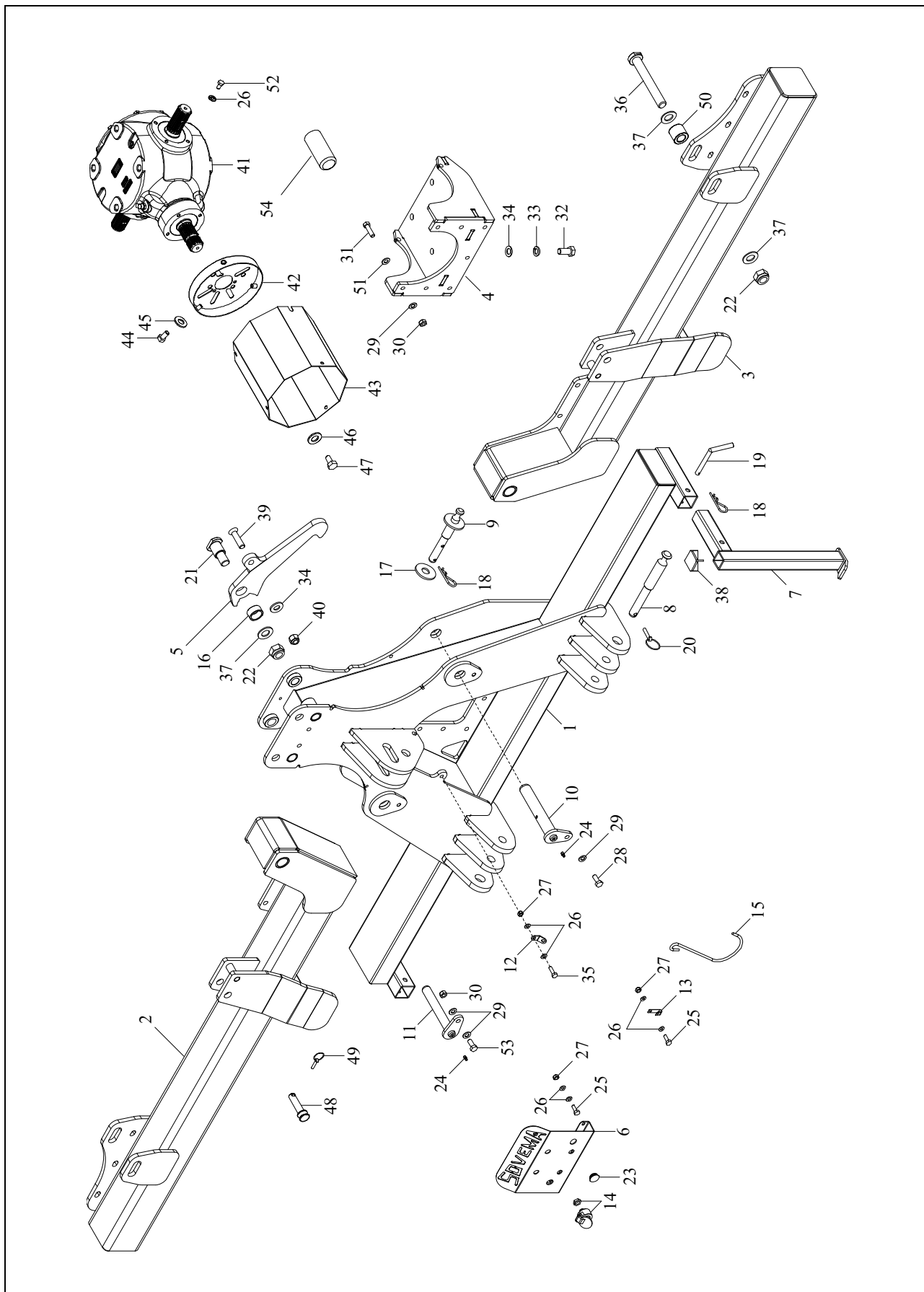
# **DBL-H** (HYDRAULIC HOOD)

---



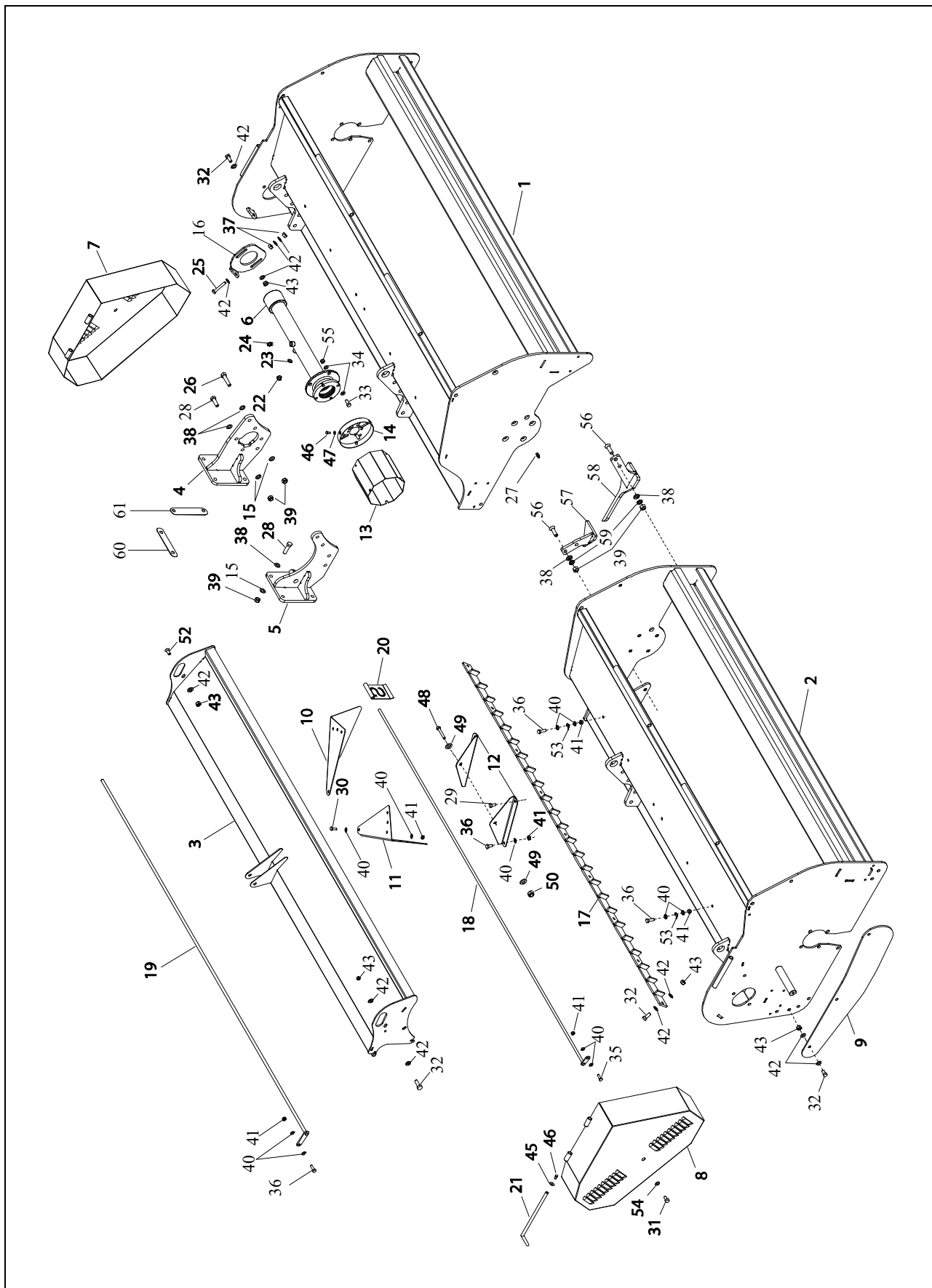
Rev. 2021

# DBL-H



FRAME – CHASSIS – TELAIO – RAHMEN – BASTIDOR

REF	CODE	QTY	ENGLISH	FRANÇAIS	ITALIANO	DEUTSCH	ESPAÑOL	NOTE
1	900.253.062	1	FRAME	CHASSIS	TELAIO	RAHMEN	BASTIDOR	
2	900.253.068	1	ARM	BRAS	BRACCIO	ARM	BRAZO	
3	900.253.069	1	ARM	BRAS	BRACCIO	ARM	BRAZO	
4	900.253.067	1	STAND	SUPPORT	SOSTEGNO	STUETZE	SOPORTE	
5	900.253.074	2	HOOK	CROCHET	GANCIO	HAKEN	ENGANCHE	
6	900.253.066	1	COVER	CARTER	CARTER	ABDECKUNG	CARTER	
7	900.253.081	2	FOOT	SUPPORT	PIEDE	STUETZFUSS	SOPORTE	
8	900.277.042	2	PIN	CHEVILLE	SPINA	DORN	CLAVIJA	
9	900.277.043	1	PIN	CHEVILLE	SPINA	DORN	CLAVIJA	
10	900.277.038	2	PIN	CHEVILLE	SPINA	DORN	CLAVIJA	
11	900.277.037	2	PIN	CHEVILLE	SPINA	DORN	CLAVIJA	
12	900.213.046	1	STAND	SUPPORT	SOSTEGNO	STUETZE	SOPORTE	
13	900.117.106	1	STAND	SUPPORT	SOSTEGNO	STUETZE	SOPORTE	
14	900.276.039	2	STAND	SUPPORT	SOSTEGNO	STUETZE	SOPORTE	
15	900.117.105	1	HOOK	CROCHET	GANCIO	HAKEN	ENGANCHE	
16	900.253.085	2	SPACER	ENTRETOISE	DISTANZIALE	ABSTANDSRING	DISTANCIADOR	
17	900.251.358	2	WASHER	RONDELLE	RONDELLA	ZWISCHENSCHLEIBE	ARANDELA	
18	900.108.017	3	SPLIT PIN	GOUPILLE	COPIGLIA	SPLINT	PASADOR	
19	900.090.067	2	PIN	CHEVILLE	SPINA	DORN	CLAVIJA	
20	900.108.042	2	SPLIT PIN	GOUPILLE	COPIGLIA	SPLINT	PASADOR	
21	900.277.040	2	PIN	CHEVILLE	SPINA	DORN	CLAVIJA	
22	900.103.130	4	NUT	ECROU	DADO	MUTTER	TUERCA	
23	900.109.016	2	PLUG	BOUCHON	TAPPO	DECKEL	TAPON	
24	900.105.015	4	GREASE NIPPLE	GRAISSEUR	INGRASSATORE	SCHMIERNIPPEL	ENGRASADOR	
25	900.102.100	4	SCREW	VIS	VITE	SCHRAUBE	TORNILLO	
26	900.104.045	14	WASHER	RONDELLE	RONDELLA	ZWISCHENSCHLEIBE	ARANDELA	
27	900.103.018	4	NUT	ECROU	DADO	MUTTER	TUERCA	
28	900.102.188	2	SCREW	VIS	VITE	SCHRAUBE	TORNILLO	
29	900.104.044	18	WASHER	RONDELLE	RONDELLA	ZWISCHENSCHLEIBE	ARANDELA	
30	900.103.021	9	NUT	ECROU	DADO	MUTTER	TUERCA	
31	900.102.066	7	SCREW	VIS	VITE	SCHRAUBE	TORNILLO	
32	900.102.373	4	SCREW	VIS	VITE	SCHRAUBE	TORNILLO	
33	900.104.031	4	WASHER	RONDELLE	RONDELLA	ZWISCHENSCHLEIBE	ARANDELA	
34	900.104.048	6	WASHER	RONDELLE	RONDELLA	ZWISCHENSCHLEIBE	ARANDELA	
35	900.102.122	1	SCREW	VIS	VITE	SCHRAUBE	TORNILLO	
36	900.277.039	2	SCREW	VIS	VITE	SCHRAUBE	TORNILLO	
37	900.104.053	6	WASHER	RONDELLE	RONDELLA	ZWISCHENSCHLEIBE	ARANDELA	
38	900.109.012	2	PLUG	BOUCHON	TAPPO	DECKEL	TAPON	
39	900.102.522	2	SCREW	VIS	VITE	SCHRAUBE	TORNILLO	
40	900.103.106	2	NUT	ECROU	DADO	MUTTER	TUERCA	
41	900.146.103	1	CASE	BOITE	SCATOLA	SCHACHTEL	CAJA	
42	900.117.071	1	GUARD	PROTECTION	PROTEZIONE	SCHUTZ	PROTECCION	
43	900.117.115.2	1	PTO PROT. HOLDER	DISQUE	FONDELLO	ZWSCHUTZHALTER	DISCO	
44	900.102.256	3	SCREW	VIS	VITE	SCHRAUBE	TORNILLO	
45	900.104.052	3	WASHER	RONDELLE	RONDELLA	ZWISCHENSCHLEIBE	ARANDELA	
46	900.104.045	4	WASHER	RONDELLE	RONDELLA	ZWISCHENSCHLEIBE	ARANDELA	
47	900.102.121	4	SCREW	VIS	VITE	SCHRAUBE	TORNILLO	
48	900.277.041	2	PIN	CHEVILLE	SPINA	DORN	CLAVIJA	
49	900.108.042	2	SPLIT PIN	GOUPILLE	COPIGLIA	SPLINT	PASADOR	
50	900.253.087	2	SPACER	ENTRETOISE	DISTANZIALE	ABSTANDSRING	DISTANCIADOR	
51	900.104.131	7	WASHER	RONDELLE	RONDELLA	ZWISCHENSCHLEIBE	ARANDELA	
52	900.102.101	8	SCREW	VIS	VITE	SCHRAUBE	TORNILLO	
53	900.102.112	2	SCREW	VIS	VITE	SCHRAUBE	TORNILLO	
54	900.109.009	1	GUARD	PROTECTION	PROTEZIONE	SCHUTZ	PROTECCION	

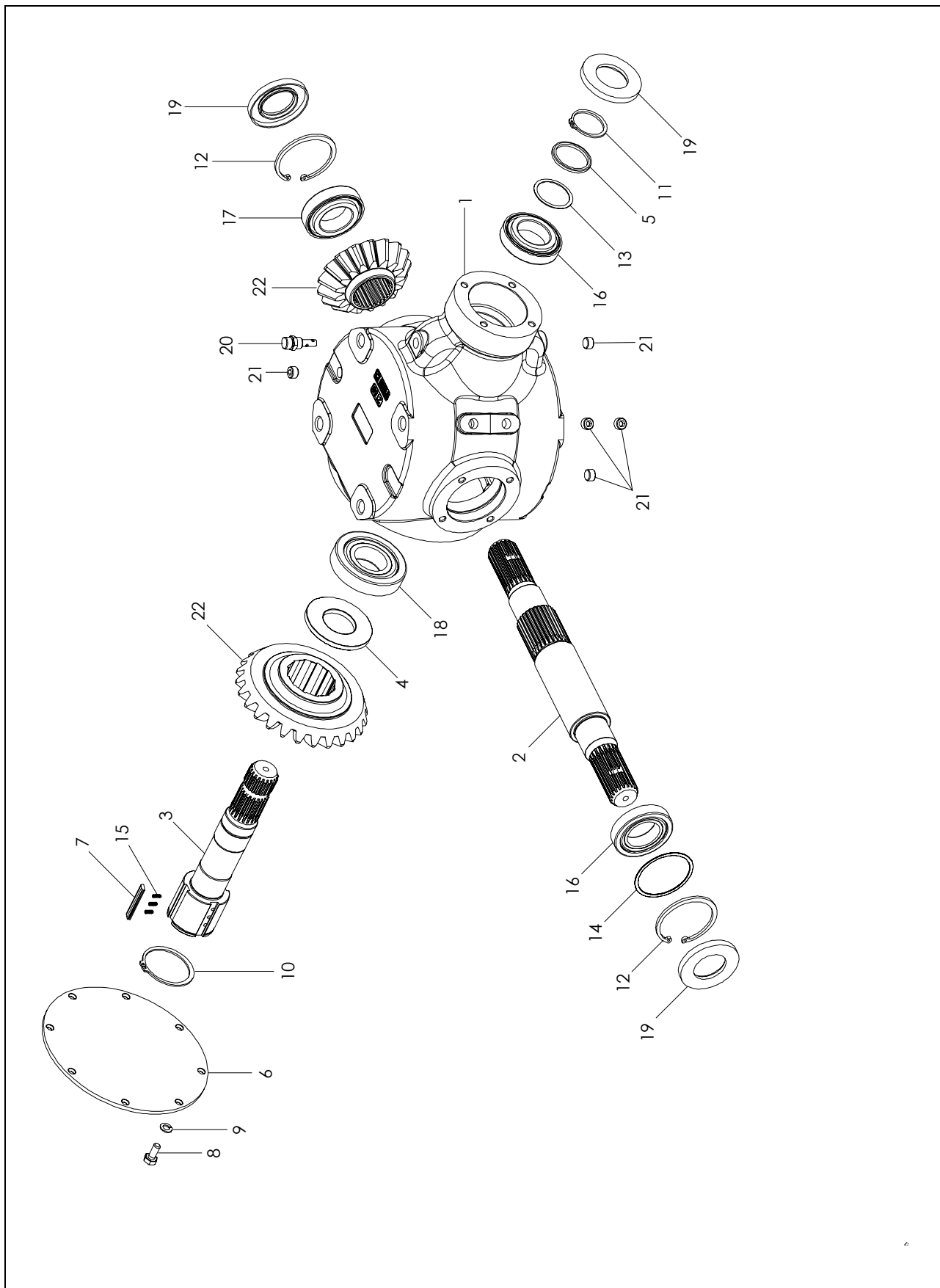


# DBL-H



REF	CODE	QTY	ENGLISH	FRANÇAIS	ITALIANO	DEUTSCH	ESPAÑOL	NOTE
1	900.253.050/52/54	1	FRAME	CHASSIS	TELAIO	RAHMEN	BASTIDOR	DBL-H 400/500/600
2	900.253.051/53/55	1	FRAME	CHASSIS	TELAIO	RAHMEN	BASTIDOR	DBL-H 400/500/600
3	900.253.056/7/8	2	SHIELD	CAPOT	COFANO	HAUBE	CARCASA	DBL-H 400/500/600
4	900.253.071	2	SUPPORT	SUPPORT	SUPPORTO	STUETZE	SOPORTE	
5	900.253.070	2	SUPPORT	SUPPORT	SUPPORTO	STUETZE	SOPORTE	
6	900.119.110/1/2	2	EXTENSION	PROLONGE	PROLUNGA	VERLAENGERUNG	PROLONGACION	DBL-H 400/500/600
7	900.272.018	1	COVER	CARTER	CARTER	ABDECKUNG	CARTER	
8	900.272.019	1	COVER	CARTER	CARTER	ABDECKUNG	CARTER	
9	900.253.125	2	GUARD	PROTECTION	PROTEZIONE	SCHUTZ	PROTECCION	
10	900.238.052	6/8/8	AILERON	AILERON	ALETTONE	FLUEGEL	ALERON	DBL-H 400/500/600
11	900.238.053	6/8/8	AILERON	AILERON	ALETTONE	FLUEGEL	ALERON	DBL-H 400/500/600
12	900.253.135	4	SUPPORT	SUPPORT	SUPPORTO	STUETZE	SOPORTE	
13	900.117.072.2	2	GUARD	PROTECTION	PROTEZIONE	SCHUTZ	PROTECCION	
14	900.117.070	2	PTO PROT. HOLDER	DISQUE	FONDELLO	ZWSCHUTZHALTER	DISCO	
15	900.104.130	36	WASHER	RONDELLE	RONDELLA	ZWISCHENSCHLEIBE	ARANDELA	
16	900.253.082	2	COLLAR	COLLIER	COLLARE	BAND	FIADOR	
17	900.253.093	4	SCRAPER	RACLEUR	RASCHIARULLO	WALZENSCHABER	RASCA-RODILLO	DBL-H 400
17	900.253.094	4	SCRAPER	RACLEUR	RASCHIARULLO	WALZENSCHABER	RASCA-RODILLO	DBL-H 500
17	900.253.095	4	SCRAPER	RACLEUR	RASCHIARULLO	WALZENSCHABER	RASCA-RODILLO	DBL-H 600
18	900.253.063	2	ROD	TIGE	ASTA	STANGE	VARILLA	DBL-H 400
18	900.253.064	2	ROD	TIGE	ASTA	STANGE	VARILLA	DBL-H 500
18	900.253.065	2	ROD	TIGE	ASTA	STANGE	VARILLA	DBL-H 600
19	900.253.059	2	ROD	TIGE	ASTA	STANGE	VARILLA	DBL-H 400
19	900.253.060	2	ROD	TIGE	ASTA	STANGE	VARILLA	DBL-H 500
19	900.253.061	2	ROD	TIGE	ASTA	STANGE	VARILLA	DBL-H 600
20	900.238.063	40/50/56	STRAP	BANDE	BANDELLA	BAND	BANDEJA	DBL-H 400/500/600
21	900.277.044	2	PIN	CHEVILLE	SPINA	DORN	CLAVIJA	
22	900.102.110	2	PLUG	BOUCHON	TAPPO	DECKEL	TAPON	
23	900.104.085	2	WASHER	RONDELLE	RONDELLA	ZWISCHENSCHLEIBE	ARANDELA	
24	900.102.323	2	PLUG	BOUCHON	TAPPO	DECKEL	TAPON	
25	900.102.286	2	SCREW	VIS	VITE	SCHRAUBE	TORNILLO	
26	900.102.299	4	SCREW	VIS	VITE	SCHRAUBE	TORNILLO	
27	900.105.015	4	GREASE NIPPLE	GRAISSEUR	INGRASSATORE	SCHMIERNIPPEL	ENGRASADOR	
28	900.102.281	32	SCREW	VIS	VITE	SCHRAUBE	TORNILLO	
29	900.102.069	4	SCREW	VIS	VITE	SCHRAUBE	TORNILLO	
30	900.102.121	24/32/28	SCREW	VIS	VITE	SCHRAUBE	TORNILLO	DBL-H 400/500/600
31	900.102.069	2	SCREW	VIS	VITE	SCHRAUBE	TORNILLO	
32	900.102.188	36/44/56	SCREW	VIS	VITE	SCHRAUBE	TORNILLO	DBL-H 400/500/600
33	900.102.115	4	SCREW	VIS	VITE	SCHRAUBE	TORNILLO	
34	900.104.046	8	WASHER	RONDELLE	RONDELLA	ZWISCHENSCHLEIBE	ARANDELA	
35	900.102.100	2	SCREW	VIS	VITE	SCHRAUBE	TORNILLO	
36	900.102.122	6	SCREW	VIS	VITE	SCHRAUBE	TORNILLO	
37	900.103.051	4	NUT	ECROU	DADO	MUTTER	TUERCA	
38	900.104.043	40	WASHER	RONDELLE	RONDELLA	ZWISCHENSCHLEIBE	ARANDELA	
39	900.103.063	40	NUT	ECROU	DADO	MUTTER	TUERCA	
40	900.104.045	36/44/44	WASHER	RONDELLE	RONDELLA	ZWISCHENSCHLEIBE	ARANDELA	DBL-H 400/500/600
41	900.103.018	36/44/44	NUT	ECROU	DADO	MUTTER	TUERCA	DBL-H 400/500/600
42	900.104.044	86/102/118	WASHER	RONDELLE	RONDELLA	ZWISCHENSCHLEIBE	ARANDELA	DBL-H 400/500/600
43	900.103.021	42/50/58	NUT	ECROU	DADO	MUTTER	TUERCA	DBL-H 400/500/600
45	900.104.057	2	WASHER	RONDELLE	RONDELLA	ZWISCHENSCHLEIBE	ARANDELA	
46	900.102.256	8	SCREW	VIS	VITE	SCHRAUBE	TORNILLO	
47	900.104.052	6	WASHER	RONDELLE	RONDELLA	ZWISCHENSCHLEIBE	ARANDELA	
48	900.102.336	4	SCREW	VIS	VITE	SCHRAUBE	TORNILLO	
49	900.104.043	4	WASHER	RONDELLE	RONDELLA	ZWISCHENSCHLEIBE	ARANDELA	
50	900.103.023	4	NUT	ECROU	DADO	MUTTER	TUERCA	
51	900.102.488	12	GRUB SCREW	VIS	GRANO	STIFT	PASADOR	
52	900.102.351	2	SCREW	VIS	VITE	SCHRAUBE	TORNILLO	
53	900.213.046	4	STAND	SUPPORT	SOSTEGNO	STUETZE	SOPORTE	
54	900.104.047	2	WASHER	RONDELLE	RONDELLA	ZWISCHENSCHLEIBE	ARANDELA	
55	900.103.019	4	NUT	ECROU	DADO	MUTTER	TUERCA	
56	900.102.166	4	SCREW	VIS	VITE	SCHRAUBE	TORNILLO	
57	900.253.138	1	CONVEYOR	DEFLECTEUR	DEFLETTORE	KONVEYOR	DEFLECTOR	
58	900.253.127	1	CONVEYOR	DEFLECTEUR	DEFLETTORE	KONVEYOR	DEFLECTOR	
59	900.104.107	4	WASHER	RONDELLE	RONDELLA	ZWISCHENSCHLEIBE	ARANDELA	
60	900.253.072	-	SHIM	EPAISSEUR	SPESSORE REG.	STAERKE	ESPESOR REG.	
61	900.253.073	-	SHIM	EPAISSEUR	SPESSORE REG.	STAERKE	ESPESOR REG.	

**GEARBOX – BOITE DE VITESSE – GRUPPO – GETRIEBE – REDUCTOR**



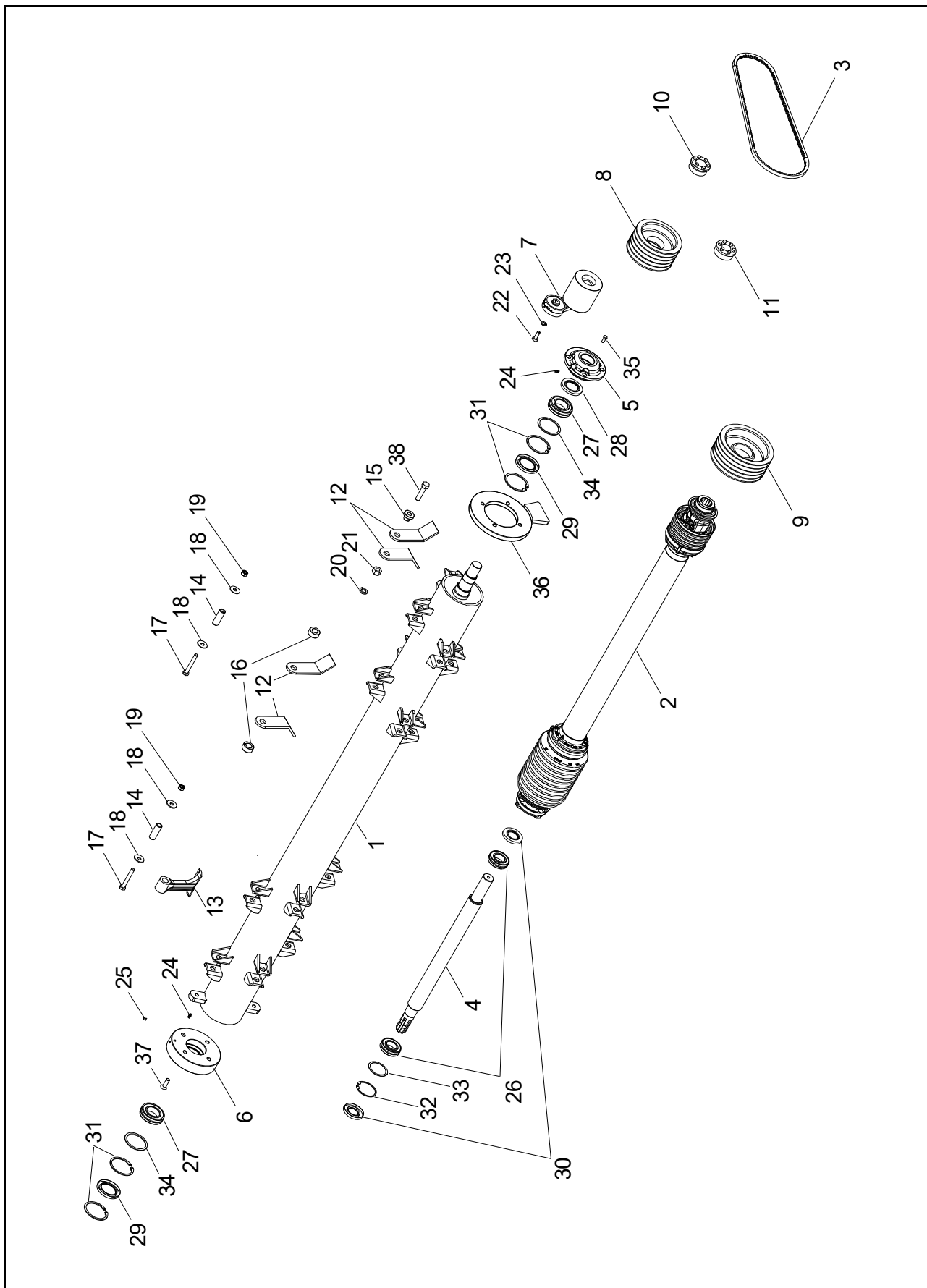
# DBL-H



REF	CODE	QTY	ENGLISH	FRANÇAIS	ITALIANO	DEUTSCH	ESPAÑOL	NOTE
1	900.161.060	1	CASE	BOITE	SCATOLA	SCHACHTEL	CAJA	
2	900.160.085	1	SHAFT	ARBRE	ALBERO	WELLE	EJE	
3	900.160.087	1	SHAFT	ARBRE	ALBERO	WELLE	EJE	
4	900.160.095	1	SPACER	ENTRETOISE	DISTANZIALE	ABSTANDSRING	DISTANCIADOR	
5	900.160.096	1	SPACER	ENTRETOISE	DISTANZIALE	ABSTANDSRING	DISTANCIADOR	
6	900.161.061	1	LID	COUVERCLE	COPERCHIO	DECKEL	TAPA	
7	900.105.060	4	KEY	CLAVETTE	CHIAVETTA	KEIL	CHAVETA	
8	900.102.011	1	SCREW	VIS	VITE	SCHRAUBE	TORNILLO	
9	900.104.083	1	WASHER	RONDELLE	RONDELLA	ZWISCHENSCHIEBE	ARANDELA	
10	900.106.047	1	CIRCLIP	SERFLEX	SEEGER	SEEGER	SEEGER	
11	900.106.061	1	CIRCLIP	SERFLEX	SEEGER	SEEGER	SEEGER	
12	900.106.062	2	CIRCLIP	SERFLEX	SEEGER	SEEGER	SEEGER	
13	900.107.110	1	SHIM	EPAISSEUR	SPESSORE REG.	STAERKE	ESPESOR REG.	
14	900.107.112	1	SHIM	EPAISSEUR	SPESSORE REG.	STAERKE	ESPESOR REG.	
15	900.253.150	12	SPRING	RESSORT	MOLLA	FEDER	MUELLE	
16	900.100.054	2	BEARING	ROULEMENT	CUSCINETTO	KUGELLAGER	COJINETE	
17	900.100.171	1	BEARING	ROULEMENT	CUSCINETTO	KUGELLAGER	COJINETE	
18	900.100.172	1	BEARING	ROULEMENT	CUSCINETTO	KUGELLAGER	COJINETE	
19	900.101.121	3	OIL SEAL	PARE-HUILE	PARAOILIO	SIMMERRING	PARA-ACEITE	
20	900.102.600	1	PLUG	BOUCHON	TAPPO	DECKEL	TAPON	
21	900.102.305	5	PLUG	BOUCHON	TAPPO	DECKEL	TAPON	
22	900.160.091	1	BEVEL GEAR	COUPLE CONIQUE	COPPIA CONICA	RITZEL+TELLER.	PAR CONICO	

**GEARBOX – BOITE DE VITESSE – GRUPPO – GETRIEBE – REDUCTOR**

# DBL-H



ROTOR – ROTOR – ROTORE – ROTOR - ROTOR



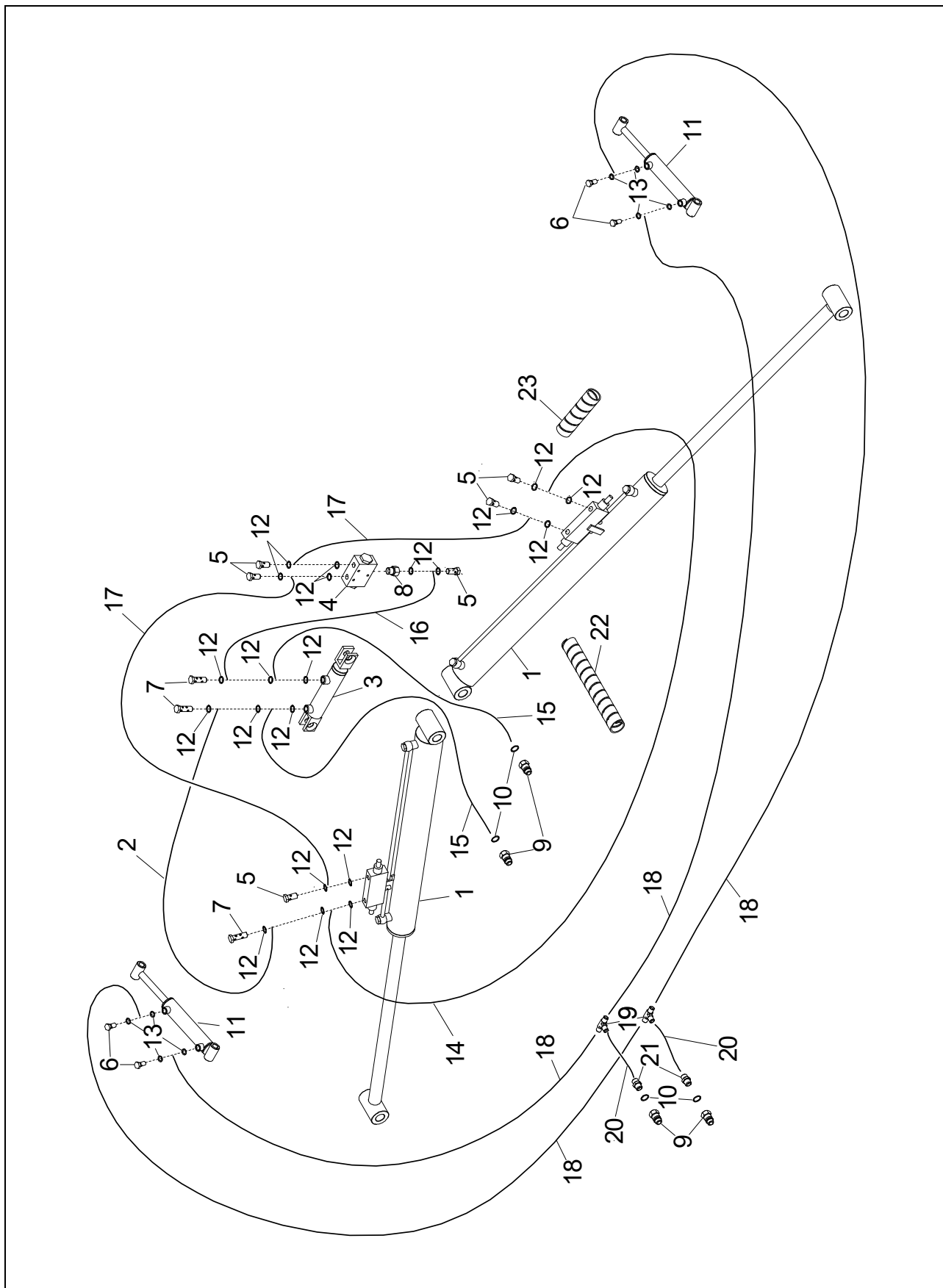
# DBL-H



REF	CODE	QTY	ENGLISH	FRANÇAIS	ITALIANO	DEUTSCH	ESPAÑOL	NOTE
1	900.253.096	2	ROTOR	ROTOR	ROTORE	ROTOR	ROTOR	DBL-H 400
1	900.253.097	2	ROTOR	ROTOR	ROTORE	ROTOR	ROTOR	DBL-H 500
1	900.253.098	2	ROTOR	ROTOR	ROTORE	ROTOR	ROTOR	DBL-H 600
2	C8126NN4	2	DRIVE SHAFT	ARBRE DE TRANSMISSION	ALBERO TRASMISSIONE	GETRIEBE WELLE	EJE DE TRANSMISION	
3	900.268.007	10	BELT	COURROIE	CINGHIA	RIEMEN	CINTA	
4	900.118.122	2	DRIVE SHAFT	ARBRE DE TRANSMISSION	ALBERO TRASMISSIONE	GETRIEBE WELLE	EJE DE TRANSMISION	DBL-H 400
4	900.118.123	2	DRIVE SHAFT	ARBRE DE TRANSMISSION	ALBERO TRASMISSIONE	GETRIEBE WELLE	EJE DE TRANSMISION	DBL-H 500
4	900.118.124	2	DRIVE SHAFT	ARBRE DE TRANSMISSION	ALBERO TRASMISSIONE	GETRIEBE WELLE	EJE DE TRANSMISION	DBL-H 600
5	900.251.323.1	2	SUPPORT	SUPPORT	SUPPORTO	STUETZE	SOPORTE	
6	900.253.039	2	SUPPORT	SUPPORT	SUPPORTO	STUETZE	SOPORTE	
7	900.253.088	2	BELT TENSIONER	TENDEUR COURROIE	TENDICINGHIA	RIEMENSPANNER	TENSOR CINTA	
8	900.238.086	1	PULLEY	POULIE	PULEGGIA	RIEMENSCHIEBE	POLEA	
9	900.270.007	1	PULLEY	POULIE	PULEGGIA	RIEMENSCHIEBE	POLEA	
10	900.238.092	1	CLAMPING	BLOCAGE	CALETTATORE	KLEMMHUELSE	ENSAMBLADOR	
11	900.269.002	1	CLAMPING	BLOCAGE	CALETTATORE	KLEMMHUELSE	ENSAMBLADOR	
12	900.238.065	88/104/120	KNIFE	COUTEAU	COLTELLO	MESSER	CUCHILLA	DBL-H 400/500/600
13	900.111.089	40/48/56	HAMMER KNIFE	MASSE MOULE	MAZZA	HAMMER	MARTILLO	DBL-H 400/500/600
14	900.238.395	40/48/56	BUSH	COQUILLE	BOCCOLA	BUCHSE	CASQUILLO	DBL-H 400/500/600
15	900.253.126	4	BUSH	COQUILLE	BOCCOLA	BUCHSE	CASQUILLO	
16	900.238.070	80/96/112	SPACER	ENTRETOISE	DISTANZIALE	ABSTANDSRING	DISTANCIADOR	DBL-H 400/500/600
17	900.102.199	40/48/56	SCREW	VIS	VITE	SCHRAUBE	TORNILLO	DBL-H 400/500/600
18	900.104.115	80/96/112	WASHER	RONDELLE	RONDELLA	ZWISCHENSCHIEBE	ARANDELA	DBL-H 400/500/600
19	900.103.021	40/48/56	NUT	ECROU	DADO	MUTTER	TUERCA	DBL-H 400/500/600
20	900.104.107	4	WASHER	RONDELLE	RONDELLA	ZWISCHENSCHIEBE	ARANDELA	
21	900.103.063	4	NUT	ECROU	DADO	MUTTER	TUERCA	
22	900.102.102	2	SCREW	VIS	VITE	SCHRAUBE	TORNILLO	
23	900.104.133	2	WASHER	RONDELLE	RONDELLA	ZWISCHENSCHIEBE	ARANDELA	
24	900.105.015	4	GREASE NIPPLE	GRAISSEUR	INGRASSATORE	SCHMIERNIPPEL	ENGRASADOR	
25	900.102.506	2	GRUB SCREW	VIS	GRANO	STIFT	PASADOR	
26	900.100.147	4	BEARING	ROULEMENT	CUSCINETTO	KUGELLAGER	COJINETE	
27	900.100.150	4	BEARING	ROULEMENT	CUSCINETTO	KUGELLAGER	COJINETE	
28	900.101.107	2	OIL SEAL	PARE-HUILE	PARAOILIO	SIMMERRING	PARA-ACEITE	
29	900.101.011	2	OIL SEAL	PARE-HUILE	PARAOILIO	SIMMERRING	PARA-ACEITE	
30	900.101.057	4	OIL SEAL	PARE-HUILE	PARAOILIO	SIMMERRING	PARA-ACEITE	
31	900.106.006	8	CIRCLIP	SERFLEX	SEEGER	SEEGER	SEEGER	
32	900.106.014	2	CIRCLIP	SERFLEX	SEEGER	SEEGER	SEEGER	
33	900.107.081	4	SHIM	EPAISSEUR	SPESSORE REG.	STAERKE	ESPESSOR REG.	
34	900.251.325.1	4	SPACER	ENTRETOISE	DISTANZIALE	ABSTANDSRING	DISTANCIADOR	
35	900.102.108	8	SCREW	VIS	VITE	SCHRAUBE	TORNILLO	
36	900.271.011.1	2	SUPPORT	SUPPORT	SUPPORTO	STUETZE	SOPORTE	
37	900.102.166	8	SCREW	VIS	VITE	SCHRAUBE	TORNILLO	
38	900.102.299	4	SCREW	VIS	VITE	SCHRAUBE	TORNILLO	

**ROTOR – ROTOR – ROTORE – ROTOR - ROTOR**

# DBL-H



HYDRAULIC - HYDRAULIQUE - OLEODINAMICA - HYDRAULIK - HIDRAULICA

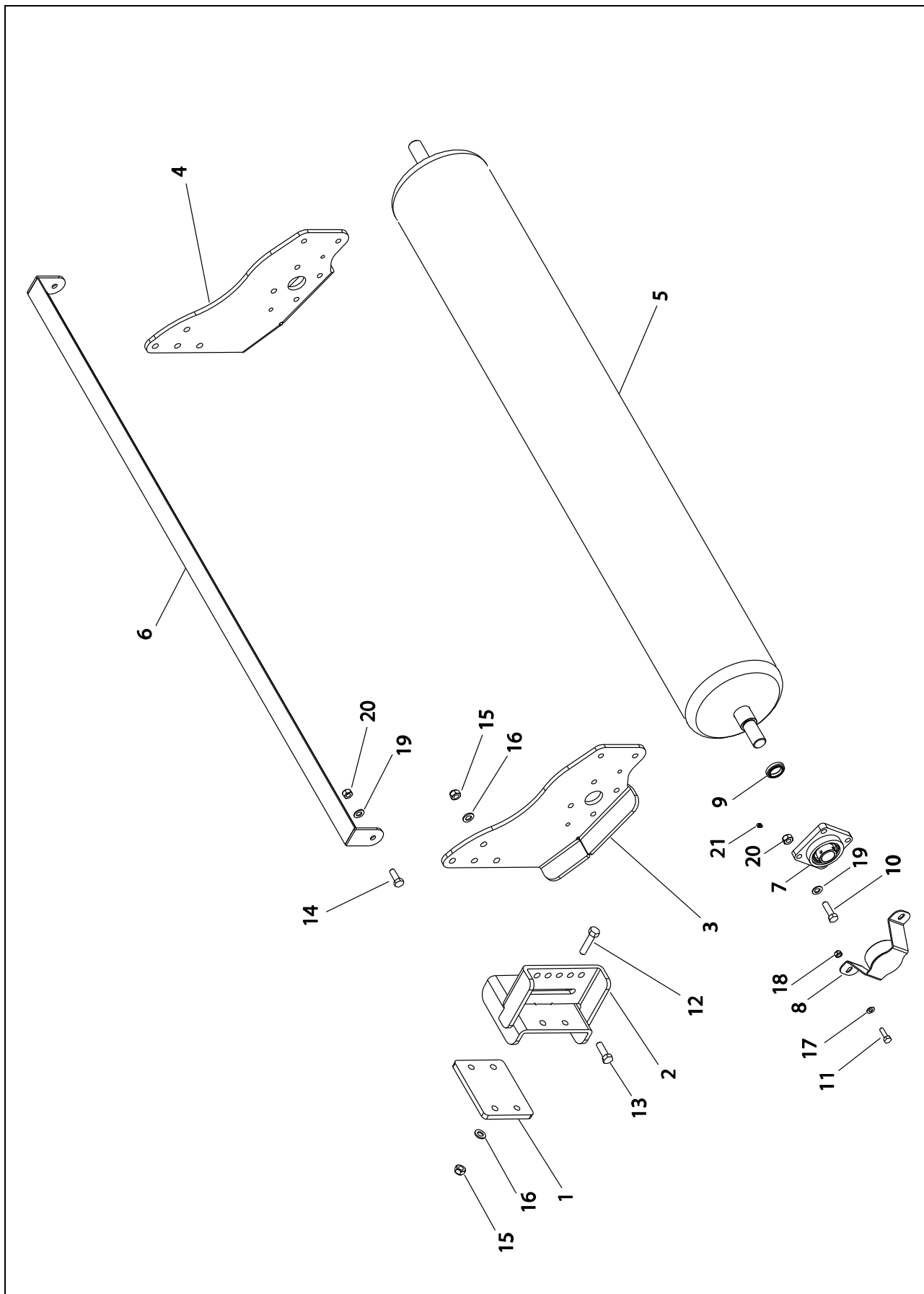
# DBL-H



REF	CODE	QTY	ENGLISH	FRANÇAIS	ITALIANO	DEUTSCH	ESPAÑOL	NOTE
1	900.275.029	2	CYLINDER	VERIN	CILINDRO	ZYLINDER	CILINDRO	
2	900.276.092	1	PIPE	TUBE	TUBO	ROHR	TUBO	
3	900.275.027	1	CYLINDER	VERIN	CILINDRO	ZYLINDER	CILINDRO	
4	900.276.069	1	VALVE	VALVE	VALVOLA	VENTILE	VALVULA	
5	900.102.269	6	SCREW	VIS	VITE	SCHRAUBE	TORNILLO	
6	900.102.257	4	SCREW	VIS	VITE	SCHRAUBE	TORNILLO	
7	900.276.080	3	SCREW	VIS	VITE	SCHRAUBE	TORNILLO	
8	900.276.091	1	NIPPLE	NIPPLES	NIPLES	NIPPEL	NIPPLES	
9	900.237.174	4	JACK	EMBAYAGE	INNESTO	VERBINDUNG	CONEXION	
10	900.104.033	4	WASHER	RONDELLE	RONDELLA	ZWISCHENSCHLEIBE	ARANDELA	
11	900.275.036	2	CYLINDER	VERIN	CILINDRO	ZYLINDER	CILINDRO	
12	900.104.039	21	WASHER	RONDELLE	RONDELLA	ZWISCHENSCHLEIBE	ARANDELA	
13	900.104.041	8	WASHER	RONDELLE	RONDELLA	ZWISCHENSCHLEIBE	ARANDELA	
14	900.276.082	1	PIPE	TUBE	TUBO	ROHR	TUBO	
15	900.276.023	2	PIPE	TUBE	TUBO	ROHR	TUBO	
16	900.276.081	1	PIPE	TUBE	TUBO	ROHR	TUBO	
17	900.276.084	2	PIPE	TUBE	TUBO	ROHR	TUBO	
18	900.234.053	4	PIPE	TUBE	TUBO	ROHR	TUBO	
19	900.237.258	2	FITTING	RACCORD	RACCORDO	ANSCHLUB	RACORD	
20	900.211.090	2	PIPE	TUBE	TUBO	ROHR	TUBO	
21	900.276.028	2	FITTING	RACCORD	RACCORDO	ANSCHLUB	RACORD	
22	900.276.098	1	GUARD	PROTECTION	PROTEZIONE	SCHUTZ	PROTECCION	
23	900.276.097	2	GUARD	PROTECTION	PROTEZIONE	SCHUTZ	PROTECCION	

HYDRAULIC – HYDRAULIQUE – OLEODINAMICA – HYDRAULIK - HIDRAULICA

# DBL-H



ACCESSORIES – ACCESSOIRES – ACCESSORI – BEIWERKE - ACCESORIOS

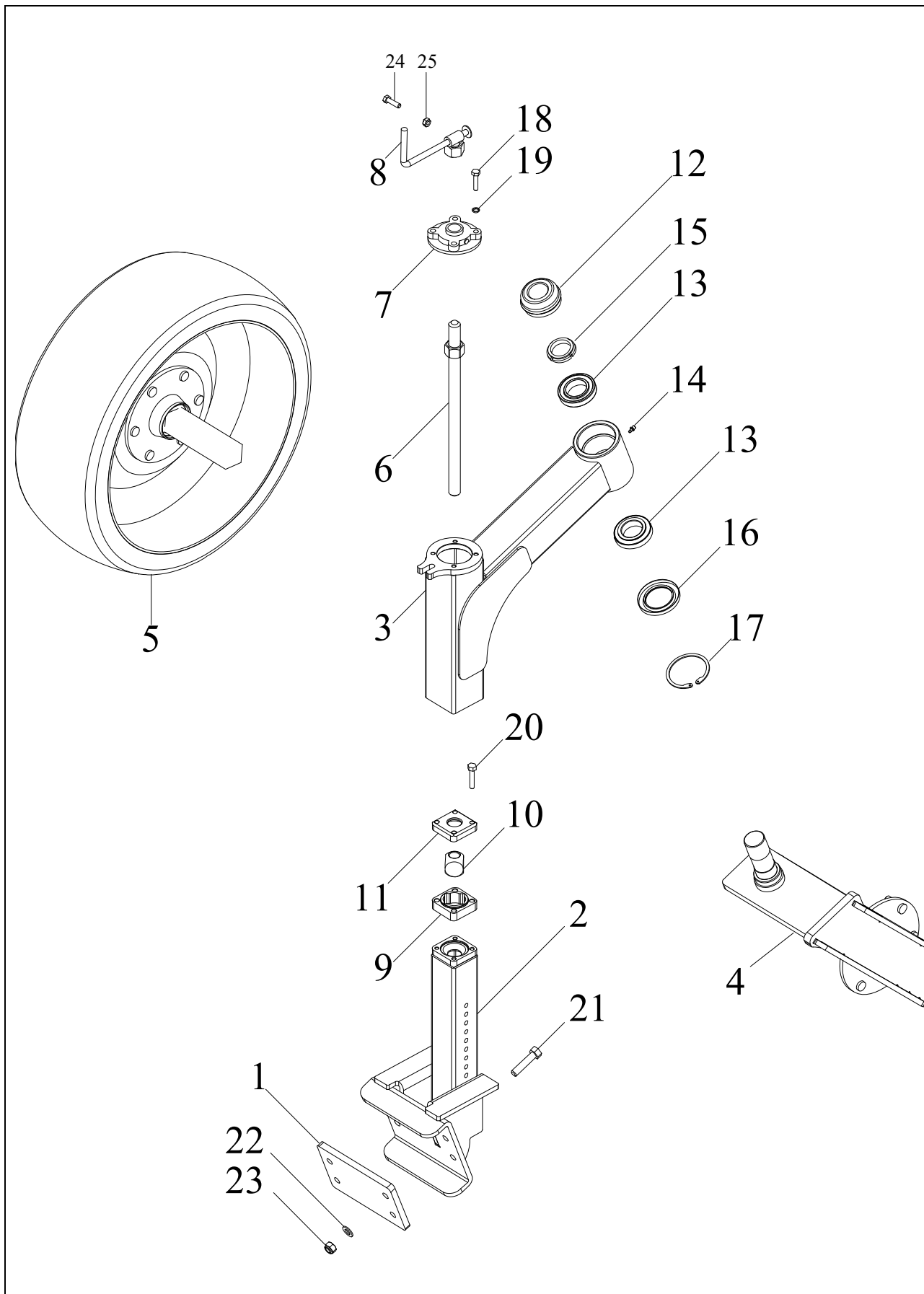
# DBL-H



REF	CODE	QTY	ENGLISH	FRANÇAIS	ITALIANO	DEUTSCH	ESPAÑOL	NOTE
1	900.253.106	4	PLATE	PLAQUE	PIASTRA	PLATTE	PLACA	
2	900.253.105	4	FLASK	MOULE	STAFFA	STUETZPLATTE	PLETINA	
3	900.253.104	2	SIDE	FLANC	FIANCO	SEITE	FLANCO	
4	900.253.103	2	SIDE	FLANC	FIANCO	SEITE	FLANCO	
5	900.253.099	2	ROLLER	ROULEAU	RULLO	WALZE	RODILLO	DBL-H 400
5	900.253.100	2	ROLLER	ROULEAU	RULLO	WALZE	RODILLO	DBL-H 500
5	900.253.101	2	ROLLER	ROULEAU	RULLO	WALZE	RODILLO	DBL-H 600
6	900.238.375.1	2	SCRAPER	RACLEUR	RASCHIARULLO	WALZENSCHABER	RASCA-RODILLO	DBL-H 400
6	900.238.376.1	2	SCRAPER	RACLEUR	RASCHIARULLO	WALZENSCHABER	RASCA-RODILLO	DBL-H 500
6	900.238.378.1	2	SCRAPER	RACLEUR	RASCHIARULLO	WALZENSCHABER	RASCA-RODILLO	DBL-H 600
7	900.100.051	4	SUPPORT	SUPPORT	SUPPORTO	STUETZE	SOPORTE	
8	900.253.102	4	GUARD	PROTECTION	PROTEZIONE	SCHUTZ	PROTECCION	
9	900.103.069	8	RING NUT	EMBOUT	GHIERA	NUTMUTTER	TUERCA	
10	900.102.066	16	SCREW	VIS	VITE	SCHRAUBE	TORNILLO	
11	900.102.122	8	SCREW	VIS	VITE	SCHRAUBE	TORNILLO	
12	900.102.299	16	SCREW	VIS	VITE	SCHRAUBE	TORNILLO	
13	900.102.235	12	SCREW	VIS	VITE	SCHRAUBE	TORNILLO	
14	900.102.096	4	SCREW	VIS	VITE	SCHRAUBE	TORNILLO	
15	900.103.023	28	NUT	ECROU	DADO	MUTTER	TUERCA	
16	900.104.043	36	WASHER	RONDELLE	RONDELLA	ZWISCHENSCHIEBE	ARANDELA	
17	900.104.045	16	WASHER	RONDELLE	RONDELLA	ZWISCHENSCHIEBE	ARANDELA	
18	900.103.018	8	NUT	ECROU	DADO	MUTTER	TUERCA	
19	900.104.044	20	WASHER	RONDELLE	RONDELLA	ZWISCHENSCHIEBE	ARANDELA	
20	900.103.021	20	NUT	ECROU	DADO	MUTTER	TUERCA	
21	900.105.007	4	GREASE NIPPLE	GRAISSEUR	INGRASSATORE	SCHMIERNIPPEL	ENGRASADOR	

**ACCESSORIES – ACCESSOIRES – ACCESSORI – BEIWERKE - ACCESORIOS**

# DBL-H

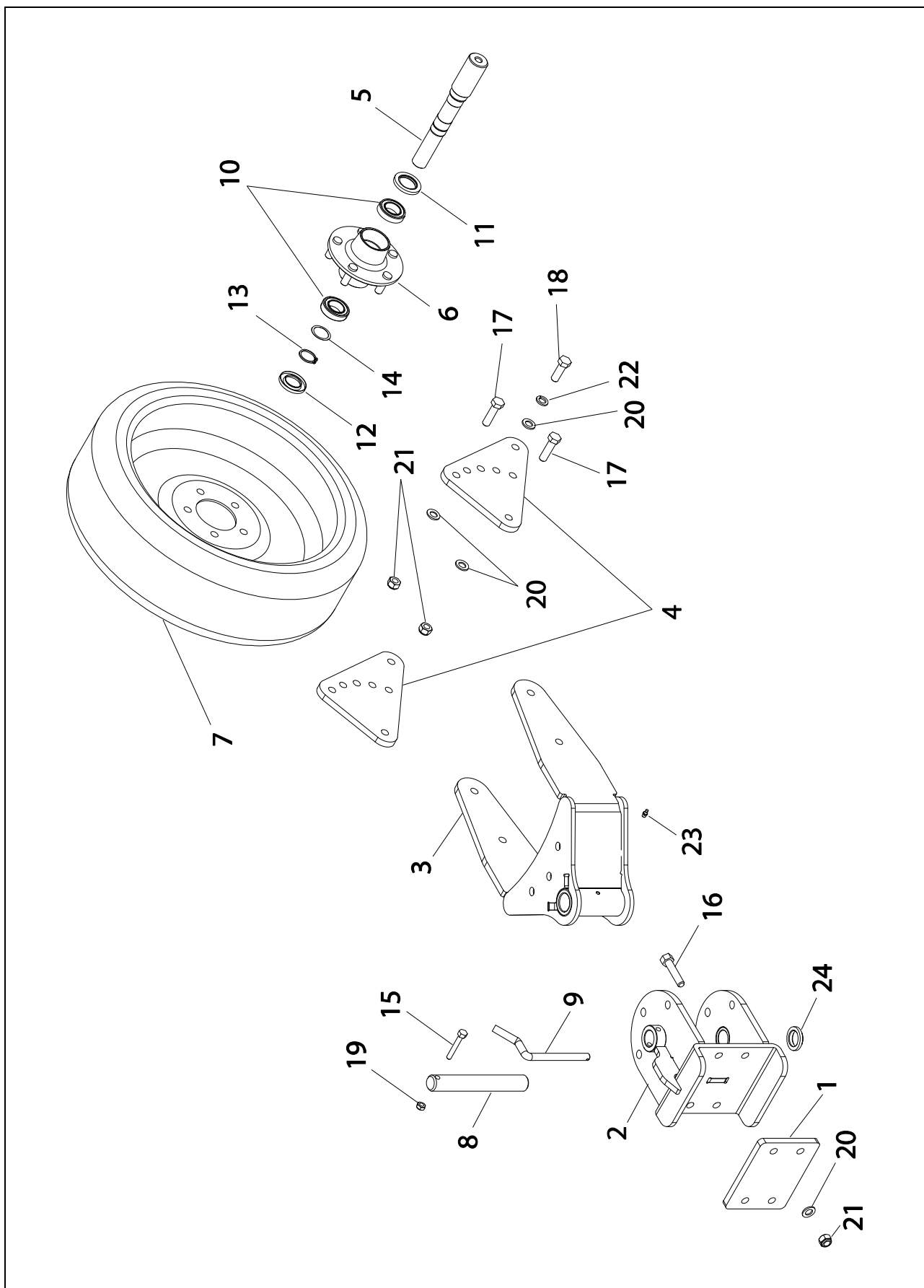


# DBL-H



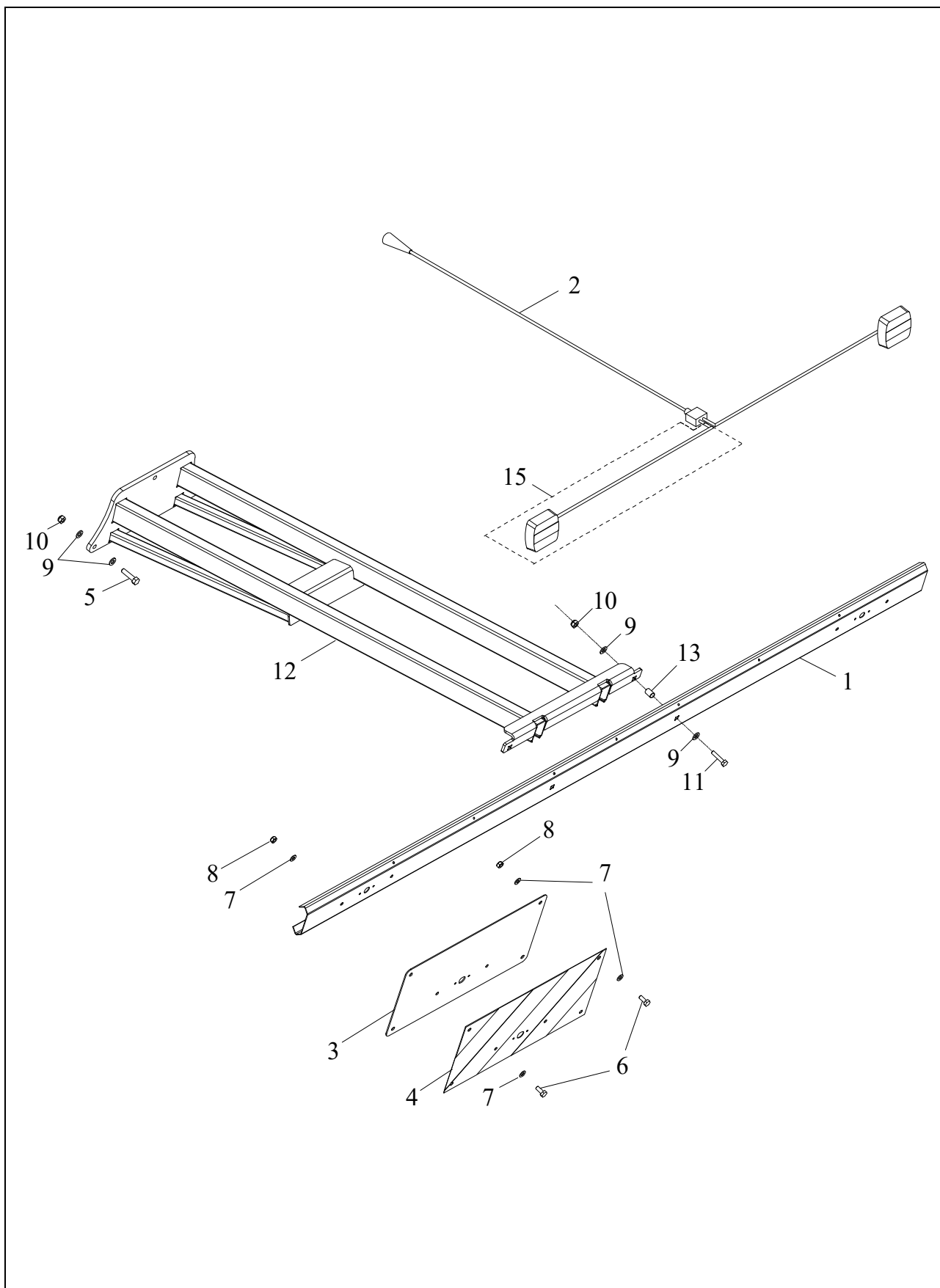
REF	CODE	QTY	ENGLISH	FRANÇAIS	ITALIANO	DEUTSCH	ESPAÑOL	NOTE
1	900.253.116	4	PLATE	PLAQUE	PIASTRA	PLATTE	PLACA	
2	900.253.117	4	SUPPORT	SUPPORT	SUPPORTO	STUETZE	SOPORTE	
3	900.253.118	4	ARM	BRAS	BRACCIO	ARM	BRAZO	
4	900.253.119	4	FORK	FOURCHETTE	FORCELLA	GABEL	HORQUILLA	
5	900.152.017	4	WHEEL	ROUE	RUOTA	RAD	RUEDA	
6	900.253.113	4	THREADED BAR	BARRE FILETEE	BARRA FILETTATA	GEWINDESTANGE	BARRA ACANALADA	
7	900.100.127	4	SUPPORT	SUPPORT	SUPPORTO	STUETZE	SOPORTE	
8	900.243.149	4	HANDLE	POIGNEE	MANIGLIA	HALTEGRIF	MANETA	
9	900.253.115	4	PLATE	PLAQUE	PIASTRA	PLATTE	PLACA	
10	900.253.112	4	BUSH	COQUILLE	BOCCOLA	BUCHSE	CASQUILLO	
11	900.253.114	4	PLATE	PLAQUE	PIASTRA	PLATTE	PLACA	
12	900.109.033	4	PLUG	BOUCHON	TAPPO	DECKEL	TAPON	
13	900.100.054	8	BEARING	ROULEMENT	CUSCINETTO	KUGELLAGER	COJINETE	
14	900.105.015	4	GREASE NIPPLE	GRAISSEUR	INGRASSATORE	SCHMIERNIPPEL	ENGRASADOR	
15	900.103.134	8	RING NUT	EMBOUT	GHIERA	NUTMUTTER	TUERCA	
16	900.101.011	4	OIL SEAL	PARE-HUILE	PARAOILIO	SIMMERRING	RETEN	
17	900.106.006	4	RING	ANNEAU	ANELLO	RING	ANILLO	
18	900.102.120	16	SCREW	VIS	VITE	SCHRAUBE	TORNILLO	
19	900.104.083	16	WASHER	RONDELLE	RONDELLA	ZWISCHENSCHIEBE	ARANDELA	
20	900.102.171	16	SCREW	VIS	VITE	SCHRAUBE	TORNILLO	
21	900.102.299	16	SCREW	VIS	VITE	SCHRAUBE	TORNILLO	
22	900.104.043	32	WASHER	RONDELLE	RONDELLA	ZWISCHENSCHIEBE	ARANDELA	
23	900.103.023	16	NUT	ECROU	DADO	MUTTER	TUERCA	
24	900.102.171	4	SCREW	VIS	VITE	SCHRAUBE	TORNILLO	
25	900.103.018	4	NUT	ECROU	DADO	MUTTER	TUERCA	

**ACCESSORIES – ACCESSOIRES – ACCESSORI – BEIWERKE - ACCESORIOS**





REF	CODE	QTY	ENGLISH	FRANÇAIS	ITALIANO	DEUTSCH	ESPAÑOL	NOTE
1	900.253.106	4	PLATE	PLAQUE	PIASTRA	PLATTE	PLACA	
2	900.253.109	4	SUPPORT	SUPPORT	SUPPORTO	STUETZE	SOPORTE	
3	900.253.110	4	FORK	FOURCHETTE	FORCELLA	GABEL	HORQUILLA	
4	900.253.111	8	SIDE	FLANC	FIANCO	SEITE	FLANCO	
5	900.277.047	4	PIN	TOURILLON	PERNO	BOLZEN	PERNO	
6	900.090.034	4	HUB	MOYEAU	MOZZO	NABE	BUJE	
7	900.152.007	4	WHEEL	ROUE	RUOTA	RAD	RUEDA	
8	900.277.048	4	PIN	TOURILLON	PERNO	BOLZEN	PERNO	
9	900.238.365	4	PIN	CHEVILLE	SPINA	DORN	CLAVIJA	
10	900.100.133	8	BEARING	ROULEMENT	CUSCINETTO	KUGELLAGER	COJINETE	
11	900.101.078	4	OIL SEAL	PARE-HUILE	PARAOILIO	SIMMERRING	RETEN	
12	900.101.036	4	OIL SEAL	PARE-HUILE	PARAOILIO	SIMMERRING	RETEN	
13	900.106.036	4	RING	ANNEAU	ANELLO	RING	ANILLO	
14	900.107.036	8	SHIM	EPAISSEUR	SPESSORE REG.	STAERKE	ESPESOR REG.	
15	900.102.383	4	SCREW	VIS	VITE	SCHRAUBE	TORNILLO	
16	900.102.299	16	SCREW	VIS	VITE	SCHRAUBE	TORNILLO	
17	900.102.281	16	SCREW	VIS	VITE	SCHRAUBE	TORNILLO	
18	900.102.235	8	SCREW	VIS	VITE	SCHRAUBE	TORNILLO	
19	900.103.018	4	NUT	ECROU	DADO	MUTTER	TUERCA	
20	900.104.043	40	WASHER	RONDELLE	RONDELLA	ZWISCHENSCHIEBE	ARANDELA	
21	900.103.023	32	NUT	ECROU	DADO	MUTTER	TUERCA	
22	900.104.070	8	WASHER	RONDELLE	RONDELLA	ZWISCHENSCHIEBE	ARANDELA	
23	900.105.015	4	GREASE NIPPLE	GRAISSEUR	INGRASSATORE	SCHMIERNIPPEL	ENGRASADOR	
24	900.103.069	4	RING NUT	EMBOUT	GHIERA	NUTMATTER	TUERCA	



# DBL-H



REF	CODE	QTY	ENGLISH	FRANÇAIS	ITALIANO	DEUTSCH	ESPAÑOL	NOTE
1	900.253.140	1	BAR	BARRE	BARRA	STANGE	BARRA	
2	900.253.122	1	WIRING	CABLAGE	CABLAGGIO	VERDRAHTUNG	ALAMBRADO	
3	900.253.137	2	PLATE	PLAQUE	PIASTRA	PLATTE	PLACA	
4	900.253.136	1	PAIR OF PANELS	PLAQUES	COPPIA DI PANNELLI	PLATTE	PLACAS	
5	900.102.065	3	SCREW	VIS	VITE	SCHRAUBE	TORNILLO	
6	900.102.121	12	SCREW	VIS	VITE	SCHRAUBE	TORNILLO	
7	900.104.045	24	WASHER	RONDELLE	RONDELLA	ZWISCHENSCHIBE	ARANDELA	
8	900.103.018	12	NUT	ECROU	DADO	MUTTER	TUERCA	
9	900.104.046	10	WASHER	RONDELLE	RONDELLA	ZWISCHENSCHIBE	ARANDELA	
10	900.103.019	5	NUT	ECROU	DADO	MUTTER	TUERCA	
11	900.102.334	2	SCREW	VIS	VITE	SCHRAUBE	TORNILLO	
12	900.253.040	1	FRAME	CHASSIS	TELAIO	RAHMEN	BASTIDOR	
13	900.251.034	2	BUSH	COQUILLE	BOCCOLA	BUCHSE	CASQUILLO	
15	900.253.108	2	TAIL LIGHT	PHARE	FANALE	SCHEINWERFER	FARO	

**ACCESSORIES – ACCESSOIRES – ACCESSORI – BEIWERKE - ACCESORIOS**