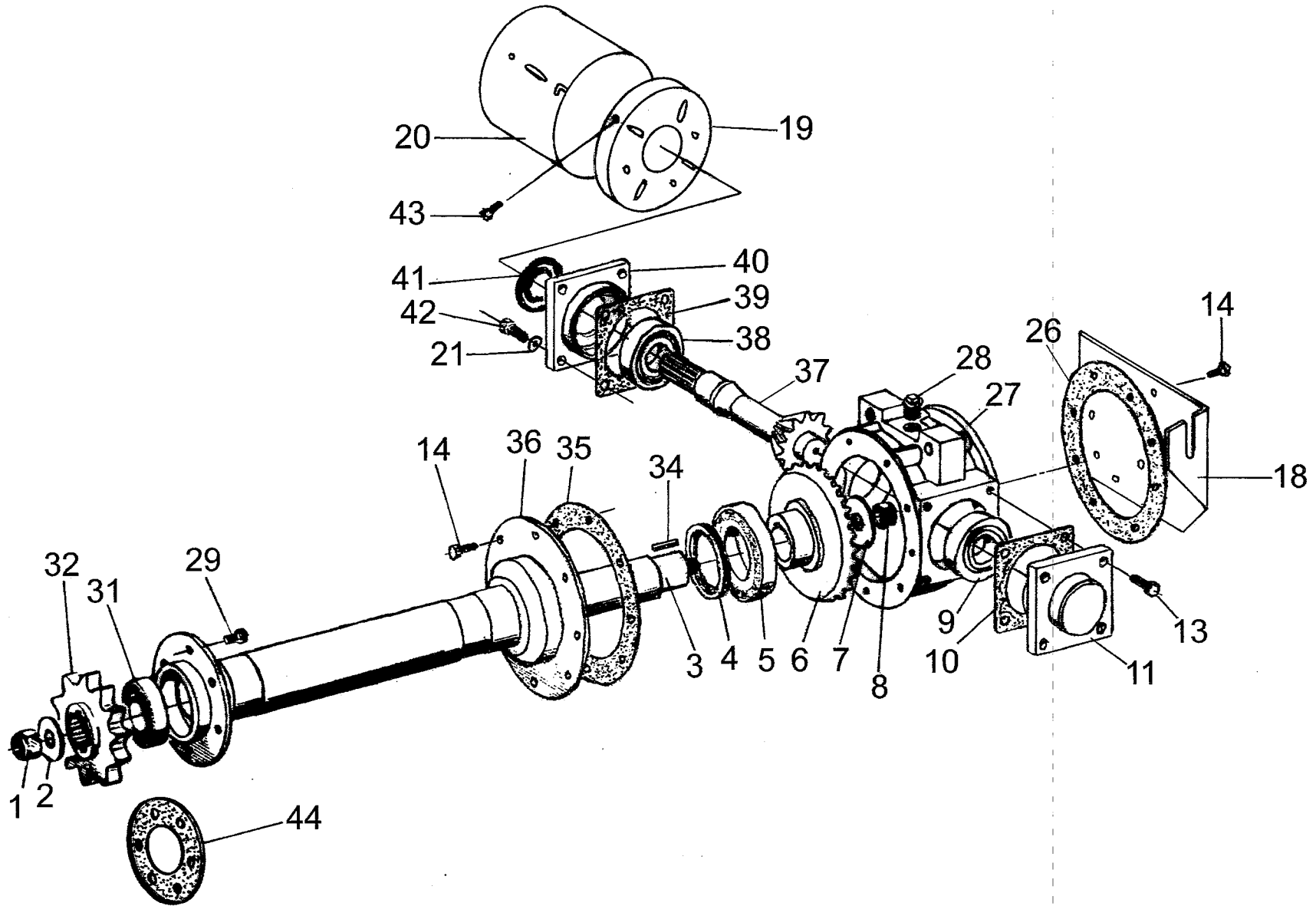


B-1-1-0

REF	CODE	QTY	ENGLISH	FRAÇAIS	ITALIANO	DEUTSCH	ESPAÑOL	NOTE
1	900.102.019	5	SCREW	VIS	VITE	SCHRAUBE	TORNILLO	
2	900.142.049	1	SIDE	FLANC	FIANCO	SEITE	FLANCO	
3	900.142.029	1	FRAME	CHASSIS	TELAIO	RAHMEN	BASTIDOR	80
3	900.142.030	1	FRAME	CHASSIS	TELAIO	RAHMEN	BASTIDOR	90
3	900.142.031	1	FRAME	CHASSIS	TELAIO	RAHMEN	BASTIDOR	100
3	900.142.032	1	FRAME	CHASSIS	TELAIO	RAHMEN	BASTIDOR	110
3	900.142.033	1	FRAME	CHASSIS	TELAIO	RAHMEN	BASTIDOR	120
3	900.142.034	1	FRAME	CHASSIS	TELAIO	RAHMEN	BASTIDOR	130
3	900.142.035	1	FRAME	CHASSIS	TELAIO	RAHMEN	BASTIDOR	140
3	900.142.036	1	FRAME	CHASSIS	TELAIO	RAHMEN	BASTIDOR	150
4	900.115.009	1	SKID	PATIN	SLITTA	KUFE	CORREDERA	
5	900.115.010	1	SKID	PATIN	SLITTA	KUFE	CORREDERA	
7	900.103.050	5	NUT	ECROU	DADO	MUTTER	TUERCA	
8	900.102.011	8	SCREW	VIS	VITE	SCHRAUBE	TORNILLO	
9	900.116.030	2	U-BOLT	MANILLE	CAVALLOTTO	U-BOLZEN	SOPORTE	
10	900.116.076	1	HITCH	ATTelage	ATTACCO	ANBAU	ENGANCHE	
11	900.103.005	4	NUT	ECROU	DADO	MUTTER	TUERCA	
12	900.115.011	2	ROD	TIGE	ASTA	STANGE	VARILLA	
13	900.102.027	2	SCREW	VIS	VITE	SCHRAUBE	TORNILLO	
14	900.108.006	2	SPLIT PIN	GOUPILLE	COPIGLIA	ARRETIERUNG	PASADOR	
15	900.116.044	2	PIN	TOURILLON	PERNO	STIFT	PERNO	
16	900.103.050	4	NUT	ECROU	DADO	MUTTER	TUERCA	
18	900.116.043	2	HITCH	ATTelage	ATTACCO	ANBAU	ENGANCHE	
19	900.108.001	1	SPLIT PIN	GOUPILLE	COPIGLIA	ARRETIERUNG	PASADOR	
20	900.104.002	12	WASHER	RONDELLE	RONDELLA	ZWISCHENSCHLEIBE	ARANDELA	
21	900.103.001	12	NUT	ECROU	DADO	MUTTER	TUERCA	
22	900.102.026	3	SCREW	VIS	VITE	SCHRAUBE	TORNILLO	
24	900.103.050	1	NUT	ECROU	DADO	MUTTER	TUERCA	
25	900.114.016	1	CHAIN	CHAINE	CATENA	KETTE	CADENA	
27	900.102.217	1	SCREW	VIS	VITE	SCHRAUBE	TORNILLO	
28	900.102.019	5	SCREW	VIS	VITE	SCHRAUBE	TORNILLO	
30	900.103.050	5	NUT	ECROU	DADO	MUTTER	TUERCA	
31	900.114.025	1	PIN	CHEVILLE	SPINA	DORN	CLAVIJA	80
31	900.114.017	1	PIN	CHEVILLE	SPINA	DORN	CLAVIJA	90
31	900.114.017	1	PIN	CHEVILLE	SPINA	DORN	CLAVIJA	100
31	900.114.017	1	PIN	CHEVILLE	SPINA	DORN	CLAVIJA	110
31	900.114.017	1	PIN	CHEVILLE	SPINA	DORN	CLAVIJA	120
31	900.114.017	1	PIN	CHEVILLE	SPINA	DORN	CLAVIJA	130
31	900.114.019	1	PIN	CHEVILLE	SPINA	DORN	CLAVIJA	140
31	900.114.031	1	PIN	CHEVILLE	SPINA	DORN	CLAVIJA	150
32	900.114.026	1	SHIELD	CAPOT	COFANO	HAUBE	CARCASA	80
32	900.114.027	1	SHIELD	CAPOT	COFANO	HAUBE	CARCASA	90
32	900.114.001	1	SHIELD	CAPOT	COFANO	HAUBE	CARCASA	100
32	900.114.002	1	SHIELD	CAPOT	COFANO	HAUBE	CARCASA	110
32	900.114.003	1	SHIELD	CAPOT	COFANO	HAUBE	CARCASA	120
32	900.114.004	1	SHIELD	CAPOT	COFANO	HAUBE	CARCASA	130
32	900.114.005	1	SHIELD	CAPOT	COFANO	HAUBE	CARCASA	140
32	900.114.029	1	SHIELD	CAPOT	COFANO	HAUBE	CARCASA	150
33	900.139.034	1	GASKET	JOINT	GUARNIZIONE	DICHTUNG	JUNTA	
34	900.102.049	1	PLUG	BOUCHON	TAPPO	DECKEL	TAPON	
35	900.113.002	1	COVER	CARTER	CARTER	GEHAEUSE	CARTER	
36	900.104.009	1	WASHER	RONDELLE	RONDELLA	ZWISCHENSCHLEIBE	ARANDELA	
37	900.102.009	1	SCREW	VIS	VITE	SCHRAUBE	TORNILLO	
39	900.102.030	1	SCREW	VIS	VITE	SCHRAUBE	TORNILLO	
40	900.102.007	12	SCREW	VIS	VITE	SCHRAUBE	TORNILLO	
41	900.103.036	2	NUT	ECROU	DADO	MUTTER	TUERCA	
43	900.142.004	1	PLATE	PLAQUE	PIASTRA	PLATTE	PLACA	> 52901
43	900.142.050	1	PLATE	PLAQUE	PIASTRA	PLATTE	PLACA	< 52900
44	900.103.002	8	NUT	ECROU	DADO	MUTTER	TUERCA	

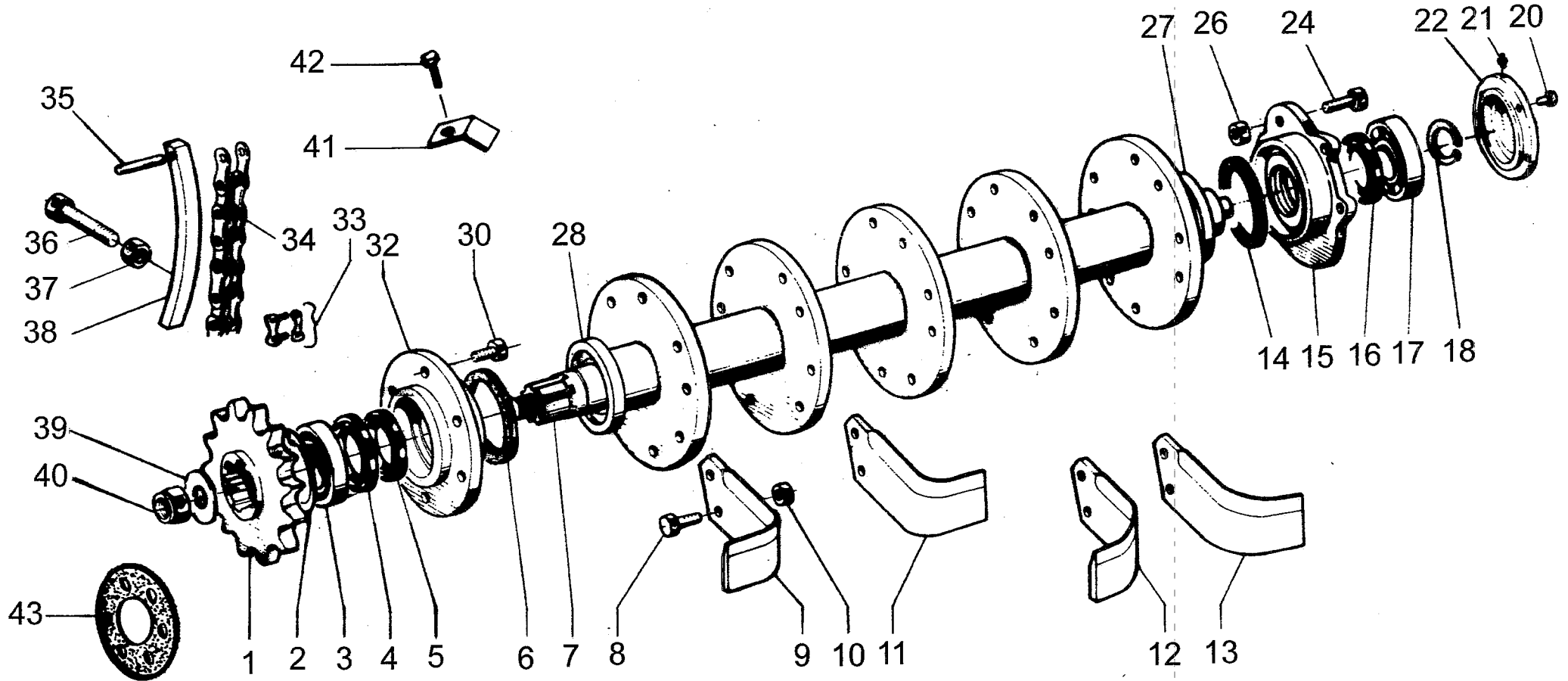


B-1-2-1

REF	CODE	QTY	ENGLISH	FRAANÇAIS	ITALIANO	DEUTSCH	ESPAÑOL	NOTE
1	900.103.030.T	1	RING NUT	EMBOUT	GHIERA	NUTMUTTER	CASQUILLO	> 53690
2	900.104.013	1	WASHER	RONDELLE	RONDELLA	ZWISCHENSCHLEIBE	ARANDELA	
3	900.118.045	1	SHAFT	ARBRE	ALBERO	WELLE	EJE	80-90
3	900.118.051	1	SHAFT	ARBRE	ALBERO	WELLE	EJE	100-110
3	900.118.046	1	SHAFT	ARBRE	ALBERO	WELLE	EJE	120-130
3	900.118.047	1	SHAFT	ARBRE	ALBERO	WELLE	EJE	140-150
4	900.101.005	1	OIL SEAL	PARE-HUILE	PARAOLIO	SIMMERRING	PARA-ACEITE	
5	900.100.010	1	BEARING	ROULEMENT	CUSCINETTO	KUGELLAGER	COJINETE	
6	900.125.005	1	CROWN	COURONNE	CORONA	TELLERRAD	CORONA	
7	900.104.012	1	WASHER	RONDELLE	RONDELLA	ZWISCHENSCHLEIBE	ARANDELA	
8	900.103.014	1	RING NUT	EMBOUT	GHIERA	NUTMUTTER	CASQUILLO	
9	900.100.025	1	BEARING	ROULEMENT	CUSCINETTO	KUGELLAGER	COJINETE	
10	900.139.001	1	GASKET	JOINT	GUARNIZIONE	DICHTUNG	JUNTA	
11	900.125.003	1	CLAMPING	CHAPEAU	CAPPELLOTTO	KAPPE	CAPUCHON	
13	900.102.018	4	SCREW	VIS	VITE	SCHRAUBE	TORNILLO	
14	900.102.011	16	SCREW	VIS	VITE	SCHRAUBE	TORNILLO	
18	900.124.006	1	SUPPORT	SUPPORT	SUPPORTO	STUETZE	SOPORTE	
19	900.117.070	1	PROT. HOLDER	DISQUE	FONDELLO	ZWSCHUTZHALTER	DISCO	
20	900.117.072	1	GUARD	PROTECTION	PROTEZIONE	SCHUTZ	PROTECCION	
21	900.104.010	2	WASHER	RONDELLE	RONDELLA	ZWISCHENSCHLEIBE	ARANDELA	
26	900.139.002	1	GASKET	JOINT	GUARNIZIONE	DICHTUNG	JUNTA	
27	900.125.001	1	CASE	BOITE	SCATOLA	KISTE	CAJA	
28	900.102.051	1	PLUG	BOUCHON	TAPPO	DECKEL	TAPON	
29	900.102.019	6	SCREW	VIS	VITE	SCHRAUBE	TORNILLO	
31	900.100.016	1	BEARING	ROULEMENT	CUSCINETTO	KUGELLAGER	COJINETE	
32	900.112.058	1	PINION	PIGNON	PIGNONE	RITZEL	PINON	
34	900.105.001	2	KEY	CLAVETTE	CHIAVETTA	KEIL	CHAVETA	
35	900.139.002	1	GASKET	JOINT	GUARNIZIONE	DICHTUNG	JUNTA	
36	900.119.005	1	TUBE	TUBE	CANNOTTO	ROHR	TUBO	80-90
36	900.119.048	1	TUBE	TUBE	CANNOTTO	ROHR	TUBO	100-110
36	900.119.035	1	TUBE	TUBE	CANNOTTO	ROHR	TUBO	120-130
36	900.119.036	1	TUBE	TUBE	CANNOTTO	ROHR	TUBO	140-150
37	900.125.004	1	PINION	PIGNON	PIGNONE	RITZEL	PINON	
38	900.100.020	1	BEARING	ROULEMENT	CUSCINETTO	KUGELLAGER	COJINETE	
39	900.139.001	1	GASKET	JOINT	GUARNIZIONE	DICHTUNG	JUNTA	
40	900.125.002	1	CLAMPING	CHAPEAU	CAPPELLOTTO	KAPPE	CAPUCHON	
41	900.101.006	1	OIL SEAL	PARE-HUILE	PARAOLIO	SIMMERRING	PARA-ACEITE	
42	900.102.018	4	SCREW	VIS	VITE	SCHRAUBE	TORNILLO	
43	900.102.256.T	3	SCREW	VIS	VITE	SCHRAUBE	TORNILLO	
44	900.139.004	1	GASKET	JOINT	GUARNIZIONE	DICHTUNG	JUNTA	

ROTOR
ROTOR
ROTORE
ROTOR
ROTOR
ROTOR

RB-2 > 52901



B-1-3-1

REF	CODE	QTY	ENGLISH	FRANÇAIS	ITALIANO	DEUTSCH	ESPAÑOL	NOTE
1	900.112.059	1	PINION	PIGNON	PIGNONE	RITZEL	PINON	
2	900.106.005	1	CIRCLIP	SERFLEX	SEEGER	SEEGER	SEEGER	
3	900.100.009	1	BEARING	ROULEMENT	CUSCINETTO	KUGELLAGER	COJINETE	
4	900.101.001	1	OIL SEAL	PARÉ-HUILE	PARAOLIO	SIMMERRING	PARA-ACEITE	
5	900.101.001	1	OIL SEAL	PARÉ-HUILE	PARAOLIO	SIMMERRING	PARA-ACEITE	
6	900.107.022	1	RING	ANNEAU	ANELLO	RING	ANILLO	
7	900.110.111	1	ROTOR	ROTOR	ROTORE	ROTOR	ROTOR	80
7	900.110.112	1	ROTOR	ROTOR	ROTORE	ROTOR	ROTOR	90
7	900.110.113	1	ROTOR	ROTOR	ROTORE	ROTOR	ROTOR	100
7	900.110.114	1	ROTOR	ROTOR	ROTORE	ROTOR	ROTOR	110
7	900.110.115	1	ROTOR	ROTOR	ROTORE	ROTOR	ROTOR	120
7	900.110.116	1	ROTOR	ROTOR	ROTORE	ROTOR	ROTOR	130
7	900.110.117	1	ROTOR	ROTOR	ROTORE	ROTOR	ROTOR	140
7	900.110.118	1	ROTOR	ROTOR	ROTORE	ROTOR	ROTOR	150
8	900.102.044	--	SCREW	VIS	VITE	SCHRAUBE	TORNILLO	
9	900.111.020	--	BLADE	LAME	ZAPPETTA	MESSER	AZADA	
10	900.103.028	--	NUT	ECROU	DADO	MUTTER	TUERCA	
11	900.111.019	--	BLADE	LAME	ZAPPETTA	MESSER	AZADA	
12	900.111.014	--	BLADE	LAME	ZAPPETTA	MESSER	AZADA	
13	900.111.013	--	BLADE	LAME	ZAPPETTA	MESSER	AZADA	
14	900.107.022	1	RING	ANNEAU	ANELLO	RING	ANILLO	
15	900.110.013	1	SUPPORT	SUPPORT	SUPPORTO	STUETZE	SOPORTE	
16	900.101.001	1	OIL SEAL	PARÉ-HUILE	PARAOLIO	SIMMERRING	PARA-ACEITE	
17	900.100.016	1	BEARING	ROULEMENT	CUSCINETTO	KUGELLAGER	COJINETE	
18	900.106.003	1	CIRCLIP	SERFLEX	SEEGER	SEEGER	SEEGER	
20	900.102.203	4	SCREW	VIS	VITE	SCHRAUBE	TORNILLO	
21	900.105.007	1	GREASE NIPPLE	GRAISSEUR	INGRASSATORE	SCHMIERNIPPEL	ENGRASADOR	
22	900.110.023	1	CLAMPING	CHAPEAU	CAPPELOTTO	KAPPE	CAPUCHON	
24	900.102.020	4	SCREW	VIS	VITE	SCHRAUBE	TORNILLO	
26	900.103.050	10	NUT	ECROU	DADO	MUTTER	TUERCA	
27	900.110.019	1	RING	ANNEAU	ANELLO	RING	ANILLO	
28	900.110.019	1	RING	ANNEAU	ANELLO	RING	ANILLO	
30	900.102.020	6	SCREW	VIS	VITE	SCHRAUBE	TORNILLO	
32	900.110.015	1	SUPPORT	SUPPORT	SUPPORTO	STUETZE	SOPORTE	
33	900.112.034	1	JOINT	JOINT	GIUNTO	GELENK	UNION	
34	900.112.033	1	CHAIN	CHAINE	CATENA	KETTE	CADENA	
35	900.113.014	1	PIN	TOURILLON	PERNO	STIFT	PERNO	
36	900.102.084	1	SCREW	VIS	VITE	SCHRAUBE	TORNILLO	
37	900.103.036	1	NUT	ECROU	DADO	MUTTER	TUERCA	
38	900.113.022	1	STRETCHER	TENDEUR	TENDICATENA	KETTENSPIANNER	TENSOR CADENA	
39	900.104.013	1	WASHER	RONDELLE	RONDELLA	ZWISCHENSCHLEIBE	ARANDELA	
40	900.103.030.T	1	RING NUT	EMBOUT	GHIERA	NUTMUTTER	CASQUILLO	> 53690
41	900.110.043	2	SCRAPER	RACLEUR	RASCHIARULLO	WALZENSCHABER	RASCARODILLO	
42	900.102.010	2	SCREW	VIS	VITE	SCHRAUBE	TORNILLO	
43	900.139.004	1	GASKET	JOINT	GUARNIZIONE	DICHTUNG	JUNTA	