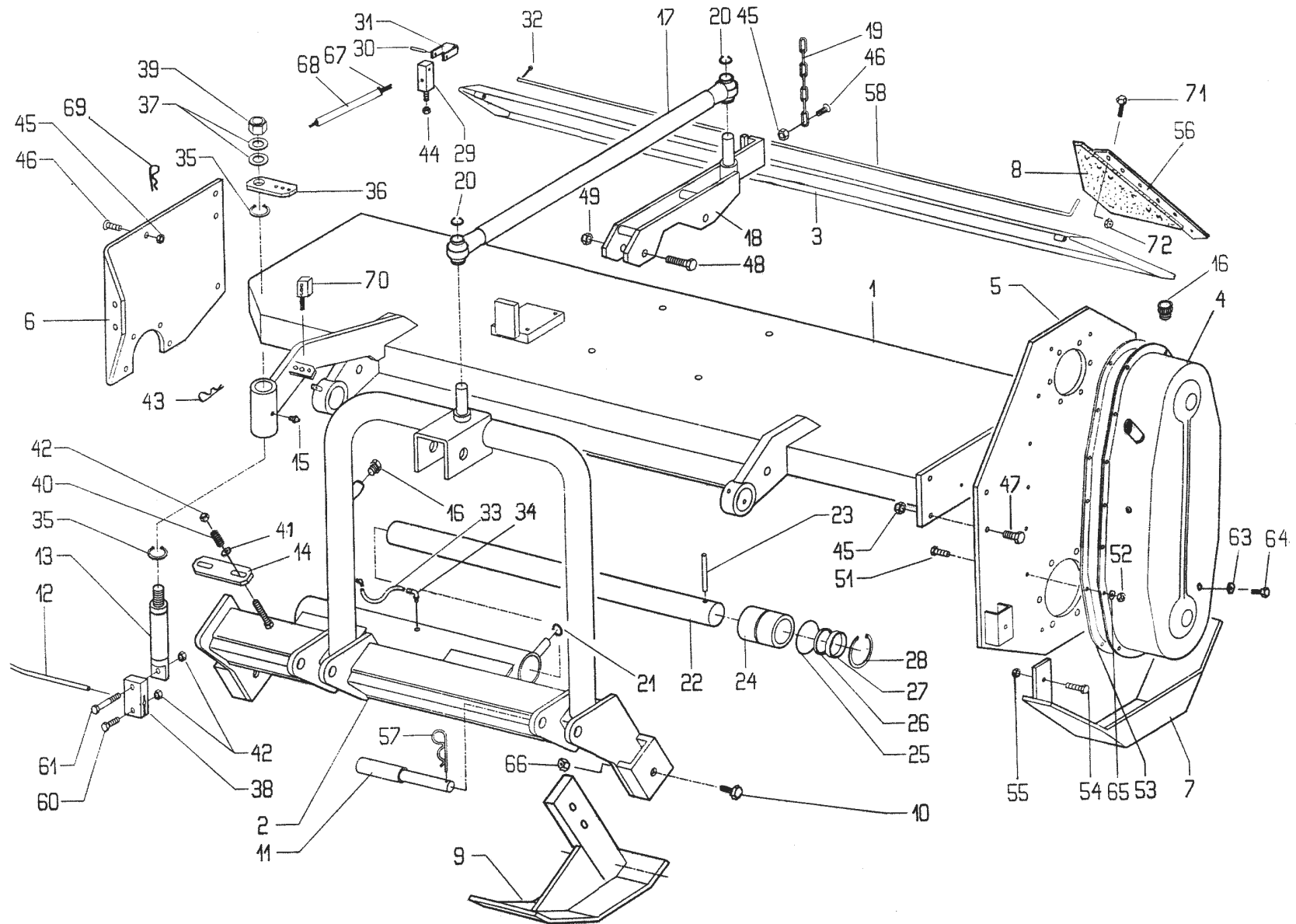


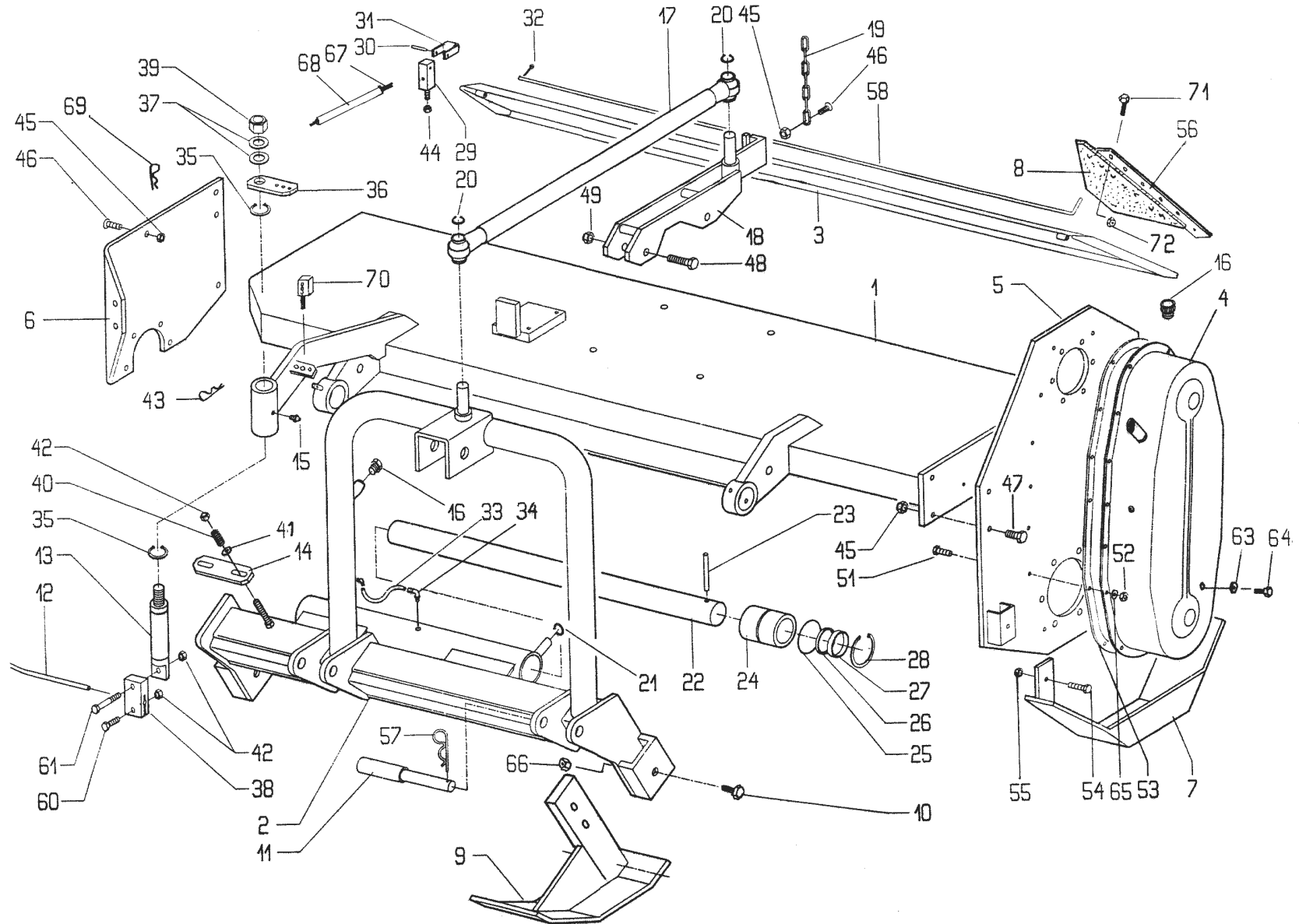
ROM-H



D-2-1-0

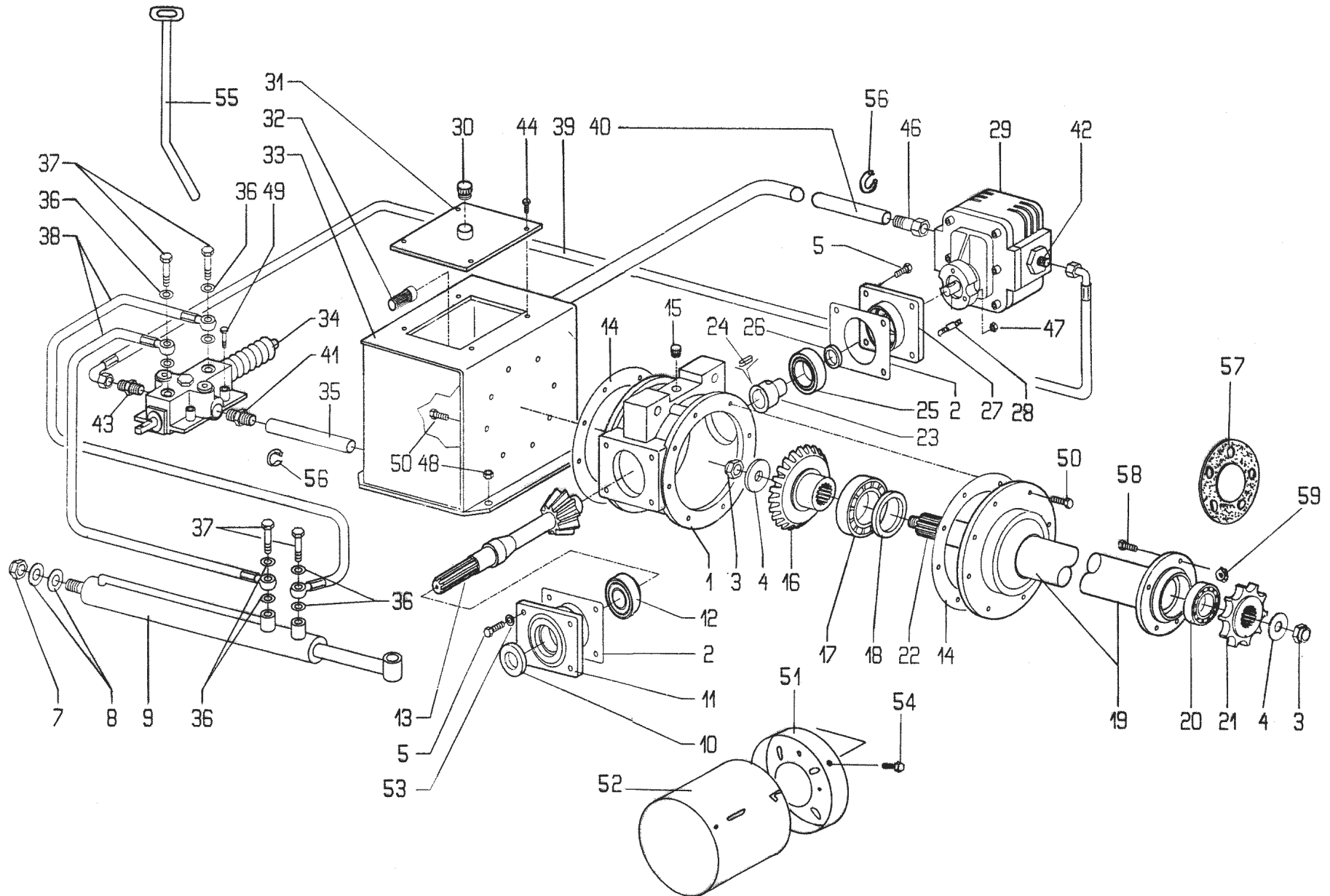
REF	CODE	QTY	ENGLISH	FRANÇAIS	ITALIANO	DEUTSCH	ESPAÑOL	NOTE
1	900.236.002	1	FRAME	CHASSIS	TELAIO	RAHMEN	BASTIDOR	140V
1	900.236.007	1	FRAME	CHASSIS	TELAIO	RAHMEN	BASTIDOR	140F
1	900.236.003	1	FRAME	CHASSIS	TELAIO	RAHMEN	BASTIDOR	160V
1	900.236.008	1	FRAME	CHASSIS	TELAIO	RAHMEN	BASTIDOR	160F
1	900.236.004	1	FRAME	CHASSIS	TELAIO	RAHMEN	BASTIDOR	180V
1	900.236.009	1	FRAME	CHASSIS	TELAIO	RAHMEN	BASTIDOR	180F
1	900.236.005	1	FRAME	CHASSIS	TELAIO	RAHMEN	BASTIDOR	200V
1	900.236.010	1	FRAME	CHASSIS	TELAIO	RAHMEN	BASTIDOR	200F
2	900.236.021	1	FRONT FRAME	CHASSIS AV.	TELAIO ANT.	FRONTGEHAEUSE	BASTIDOR ANT.	
3	900.236.040	1	SHIELD	CAPOT	COFANO	HAUBE	CARCASA	140
3	900.236.041	1	SHIELD	CAPOT	COFANO	HAUBE	CARCASA	160
3	900.236.042	1	SHIELD	CAPOT	COFANO	HAUBE	CARCASA	180
3	900.236.043	1	SHIELD	CAPOT	COFANO	HAUBE	CARCASA	200
4	900.113.004	1	COVER	CARTER	CARTER	GEHAEUSE	CARTER	
5	900.142.027	1	PLATE	PLAQUE	PIASTRA	PLATTE	PLACA	
6	900.236.014	1	SIDE	FLANC	FIANCO	SEITE	FLANCO	
7	900.236.052	1	GUARD	PROTECTION	PROTEZIONE	SCHUTZ	PROTECCION	
8	900.236.054	1	GUARD	PROTECTION	PROTEZIONE	SCHUTZ	PROTECCION	
9	900.236.015	2	SKID	PATIN	SLITTA	KUFE	CORREDERA	
10	900.102.084	2	SCREW	VIS	VITE	SCHRAUBE	TORNILLO	
11	900.116.033	2	PIN	TOURILLON	PERNO	STIFT	PERNO	
12	900.236.031	1	SENSING ARM	TATEUR	TASTATORE	TASTER	BRAZO A TIENTO	
13	900.236.026	1	PIN	TOURILLON	PERNO	STIFT	PERNO	
14	900.236.050	1	STOP	ARRET	ARRESTO	STOP	PARO	
15	900.105.007	1	GREASE NIPPLE	GRAISSEUR	INGRASSATORE	SCHMIERNIPPEL	ENGRASADOR	
16	900.102.049	2	PLUG	BOUCHON	TAPPO	DECKEL	TAPON	
17	900.236.019	1	TIE ROD	TIRANT	TIRANTE	ZUGSTANGE	TIRANTE	
18	900.236.018	1	HITCH	ATTELAGE	ATTACCO	ANBAU	ENGANCHE	
19	900.114.015	1	CHAIN	CHAINE	CATENA	KETTE	CADENA	
20	900.106.017	2	CIRCLIP	SERFLEX	SEEGER	SEEGER	SEEGER	
21	900.106.024	1	CIRCLIP	SERFLEX	SEEGER	SEEGER	SEEGER	
22	900.120.076	1	SLIDING	GLISSEMENT	SCORRIMENTO	GLEITEN	DESPLAZAMIENTO	
23	900.108.012	1	ELASTIC PIN	CHEVILLE EL.	SPINA ELASTICA	ELAST. DORN	CLAVIJA EL.	
24	900.120.077	2	BUSH	COQUILLE	BOCCOLA	BUCHSE	CASQUILLO	
25	900.237.269	2	RING	ANNEAU	ANELLO	RING	ANILLO	
26	900.101.084	2	OIL SEAL	PARE-HUILE	PARAOILIO	SIMMERRING	PARA-ACEITE	
27	900.101.083	2	DUST SCRAPER	RACLEUR POUSS.	RASCHIAPOLVERE	STAUBSCHABER	RASCA-POLVO	
28	900.106.032	2	CIRCLIP	SERFLEX	SEEGER	SEEGER	SEEGER	
29	900.236.024	1	PIN	TOURILLON	PERNO	STIFT	PERNO	
30	900.108.033	1	PIN	CHEVILLE	SPINA	DORN	CLAVIJA	
31	900.236.023	1	STOP	BLOCAGE	BLOCCO	STOP	BLOQUEO	
32	900.108.001	1	SPLIT PIN	GOUPILLE	COPIGLIA	ARRETIERUNG	PASADOR	
33	900.236.067	1	PIPE	TUBE	TUBO	ROHR	TUBO	
34	900.236.046	2	FITTING	RACCORD	RACCORDO	FEDER	RACORD	
35	900.106.003	2	CIRCLIP	SERFLEX	SEEGER	SEEGER	SEEGER	
36	900.236.022	1	ARM	LEVIER	LEVA	SCHALTBEHEL	PALANCA	
37	900.104.056	1	WASHER	RONDELLE	RONDELLA	ZWISCHENSCHIBE	ARANDELA	
38	900.236.025	1	STOP	BLOCAGE	BLOCCO	STOP	BLOQUEO	
39	900.103.030.T	1	RING NUT	EMBOUT	GHIERA	NUTMUTTER	CASQUILLO	
40	900.236.068	1	SPRING	RESSORT	MOLLA	FEDER	MUELLE	
41	900.104.046	1	WASHER	RONDELLE	RONDELLA	ZWISCHENSCHIBE	ARANDELA	
42	900.103.019.T	3	NUT	ECROU	DADO	MUTTER	TUERCA	
43	900.108.005	1	SPLIT PIN	GOUPILLE	COPIGLIA	ARRETIERUNG	PASADOR	

ROM-H



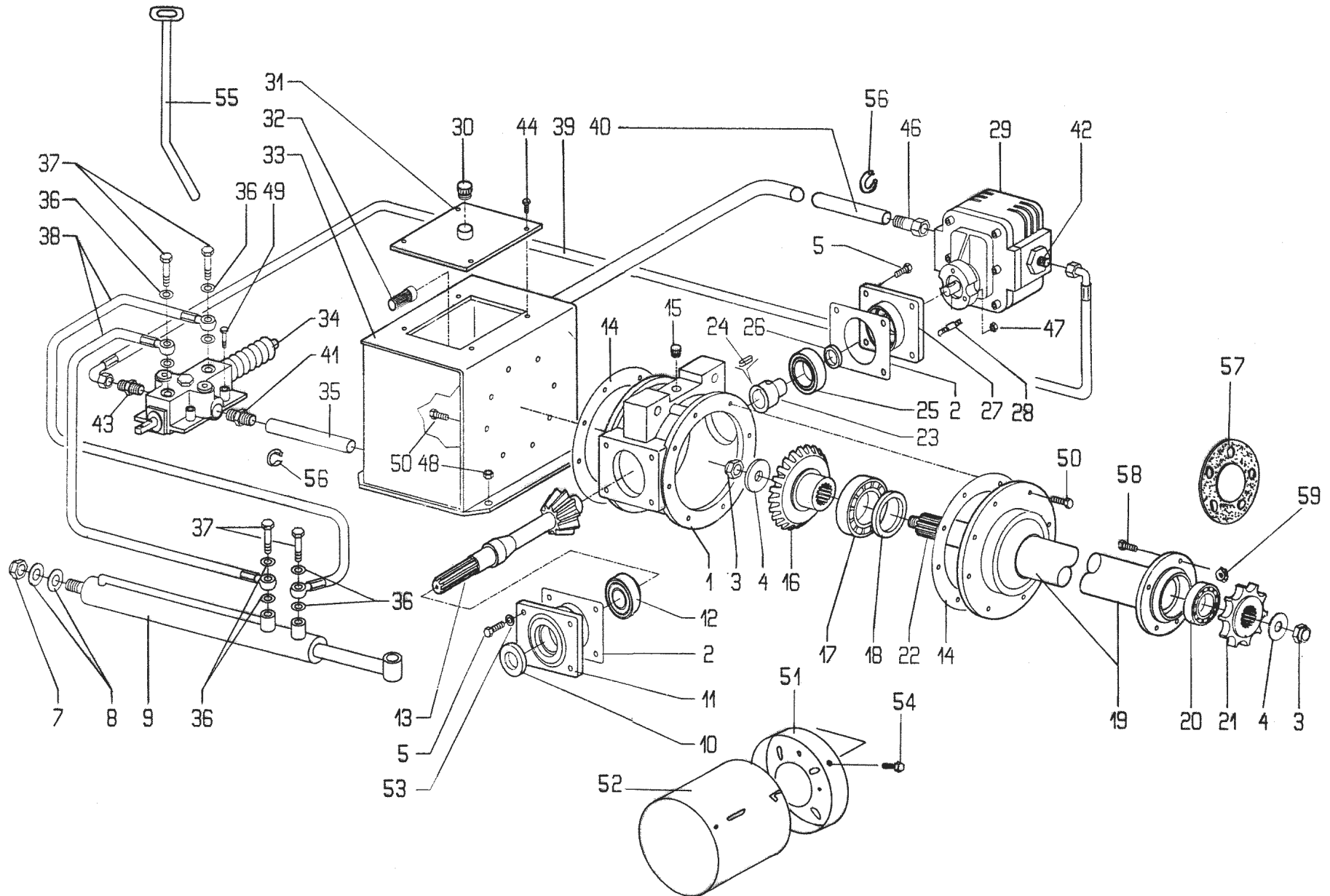
D-2-1-0

REF	CODE	QTY	ENGLISH	FRANÇAIS	ITALIANO	DEUTSCH	ESPAÑOL	NOTE
44	900.103.002	1	NUT	ECROU	DADO	MUTTER	TUERCA	
45	900.103.050	10	NUT	ECROU	DADO	MUTTER	TUERCA	
46	900.102.217	6	SCREW	VIS	VITE	SCHRAUBE	TORNILLO	
47	900.102.019	5	SCREW	VIS	VITE	SCHRAUBE	TORNILLO	
48	900.102.084	2	SCREW	VIS	VITE	SCHRAUBE	TORNILLO	
49	900.103.006	2	NUT	ECROU	DADO	MUTTER	TUERCA	
51	900.102.007	17	SCREW	VIS	VITE	SCHRAUBE	TORNILLO	
52	900.103.001	17	NUT	ECROU	DADO	MUTTER	TUERCA	
53	900.139.036	1	GASKET	JOINT	GUARNIZIONE	DICHTUNG	JUNTA	
54	900.102.232	2	SCREW	VIS	VITE	SCHRAUBE	TORNILLO	
55	900.103.005	2	NUT	ECROU	DADO	MUTTER	TUERCA	
56	900.236.053	1	FLASK	MOULE	STAFFA	KLAUE	PLETINA	
57	900.108.006	2	SPLIT PIN	GOUPILLE	COPIGLIA	ARRETIERUNG	PASADOR	
58	900.114.019	1	PIN	CHEVILLE	SPINA	DORN	CLAVIJA	140
58	900.114.020	1	PIN	CHEVILLE	SPINA	DORN	CLAVIJA	160
58	900.114.021	1	PIN	CHEVILLE	SPINA	DORN	CLAVIJA	180
58	900.114.022	1	PIN	CHEVILLE	SPINA	DORN	CLAVIJA	200
60	900.102.115.T	1	SCREW	VIS	VITE	SCHRAUBE	TORNILLO	
61	900.102.176.T	1	SCREW	VIS	VITE	SCHRAUBE	TORNILLO	
63	900.104.009	1	WASHER	RONDELLE	RONDELLA	ZWISCHENSCHIEBE	ARANDELA	
64	900.102.009	1	SCREW	VIS	VITE	SCHRAUBE	TORNILLO	
65	900.104.002	17	WASHER	RONDELLE	RONDELLA	ZWISCHENSCHIEBE	ARANDELA	
66	900.103.023.T	2	NUT	ECROU	DADO	MUTTER	TUERCA	
67	900.236.057	1	CABLE	CABLE	CAVO	KABEL	CABLE	140 V/F
67	900.236.059	1	CABLE	CABLE	CAVO	KABEL	CABLE	160 V/F 180-200 V
67	900.236.061	1	CABLE	CABLE	CAVO	KABEL	CABLE	180 F
67	900.236.063	1	CABLE	CABLE	CAVO	KABEL	CABLE	200 F
68	900.236.058	1	SHEATH	ENVELOPPE	GUAINA	SCHEIDE	FUNDA	140 V/F 160 V
68	900.236.060	1	SHEATH	ENVELOPPE	GUAINA	SCHEIDE	FUNDA	160 F 180-200 V
68	900.236.062	1	SHEATH	ENVELOPPE	GUAINA	SCHEIDE	FUNDA	180 F
68	900.236.064	1	SHEATH	ENVELOPPE	GUAINA	SCHEIDE	FUNDA	200 F
69	900.108.017	1	SPLIT PIN	GOUPILLE	COPIGLIA	ARRETIERUNG	PASADOR	
70	900.236.027	1	SHEATH GUIDE	GLISSIERE ENV.	GUIDA GUAINA	SCHEIDENFUEHRUNG	GUIA FUNDA	
71	900.102.147.T	6	SCREW	VIS	VITE	SCHRAUBE	TORNILLO	
72	900.103.020.T	6	NUT	ECROU	DADO	MUTTER	TUERCA	



D-2-2-0

REF	CODE	QTY	ENGLISH	FRANÇAIS	ITALIANO	DEUTSCH	ESPAÑOL	NOTE
1	900.129.001	1	CASE	BOITE	SCATOLA	KISTE	CAJA	
2	900.139.006	2	GASKET	JOINT	GUARNIZIONE	DICHTUNG	JUNTA	
3	900.103.030.T	2	RING NUT	EMBOUT	GHIERA	NUTMUTTER	CASQUILLO	> 53690
4	900.104.013	2	WASHER	RONDELLE	RONDELLA	ZWISCHENSCHIBE	ARANDELA	
5	900.102.019	8	SCREW	VIS	VITE	SCHRAUBE	TORNILLO	
7	900.103.023.T	1	NUT	ECROU	DADO	MUTTER	TUERCA	
8	900.236.049	6	SPRING	RESSORT	MOLLA	FEDER	MUELLE	
9	900.236.029	1	CYLINDER	VERIN	CILINDRO	ZYLINDER	CILINDRO	
10	900.101.008	1	OIL SEAL	PARE-HUILE	PARAOLIO	SIMMERRING	PARA-ACEITE	
11	900.129.002	1	FLANGE	FLASQUE	FLANGIA	FLANSCH	BRIDA	
12	900.100.023	1	BEARING	ROULEMENT	CUSCINETTO	KUGELLAGER	COJINETE	
13	900.236.013	1	PINION	PIGNON	PIGNONE	RITZEL	PINON	
14	900.139.007	2	GASKET	JOINT	GUARNIZIONE	DICHTUNG	JUNTA	
15	900.102.050	1	PLUG	BOUCHON	TAPPO	DECKEL	TAPON	
16	900.129.008	1	CROWN	COURONNE	CORONA	TELLERRAD	CORONA	
17	900.100.012	1	BEARING	ROULEMENT	CUSCINETTO	KUGELLAGER	COJINETE	
18	900.101.007	1	OIL SEAL	PARE-HUILE	PARAOLIO	SIMMERRING	PARA-ACEITE	
19	900.119.062	1	TUBE	TUBE	CANNOTTO	ROHR	TUBO	140V
19	900.119.069	1	TUBE	TUBE	CANNOTTO	ROHR	TUBO	140F
19	900.119.063	1	TUBE	TUBE	CANNOTTO	ROHR	TUBO	160V
19	900.119.069	1	TUBE	TUBE	CANNOTTO	ROHR	TUBO	160F
19	900.119.064	1	TUBE	TUBE	CANNOTTO	ROHR	TUBO	180V
19	900.119.069	1	TUBE	TUBE	CANNOTTO	ROHR	TUBO	180F
19	900.119.065	1	TUBE	TUBE	CANNOTTO	ROHR	TUBO	200V
19	900.119.069	1	TUBE	TUBE	CANNOTTO	ROHR	TUBO	200F
20	900.100.009	1	BEARING	ROULEMENT	CUSCINETTO	KUGELLAGER	COJINETE	
21	900.112.051	1	PINION	PIGNON	PIGNONE	RITZEL	PINON	
22	900.118.060	1	SHAFT	ARBRE	ALBERO	WELLE	EJE	140V
22	900.118.059	1	SHAFT	ARBRE	ALBERO	WELLE	EJE	140F
22	900.118.061	1	SHAFT	ARBRE	ALBERO	WELLE	EJE	160V
22	900.118.059	1	SHAFT	ARBRE	ALBERO	WELLE	EJE	160F
22	900.118.062	1	SHAFT	ARBRE	ALBERO	WELLE	EJE	180V
22	900.118.059	1	SHAFT	ARBRE	ALBERO	WELLE	EJE	180F
22	900.118.063	1	SHAFT	ARBRE	ALBERO	WELLE	EJE	200V
22	900.118.059	1	SHAFT	ARBRE	ALBERO	WELLE	EJE	200F
23	900.236.012	1	COUPLING BOX	MANCHON	MANICOTTO	MUFFE	MANGUITO	
24	900.105.043	1	KEY	CLAVETTE	CHIAVETTA	KEIL	CHAVETA	
25	900.100.032	1	BEARING	ROULEMENT	CUSCINETTO	KUGELLAGER	COJINETE	
26	900.101.027	1	OIL SEAL	PARE-HUILE	PARAOLIO	SIMMERRING	PARA-ACEITE	
27	900.236.011	1	LID	COUVERCLE	COPERCHIO	DECKEL	TAPA	
28	900.102.062	3	SCREW	VIS	VITE	SCHRAUBE	TORNILLO	
29	900.236.032	1	PUMP	POMPE	POMPA	PUMPE	BOMBA	
30	900.102.050	1	PLUG	BOUCHON	TAPPO	DECKEL	TAPON	
31	900.236.017	1	LID	COUVERCLE	COPERCHIO	DECKEL	TAPA	
32	900.236.033	1	FILTER	FILTRE	FILTRO	FILTER	FILTRO	
33	900.236.016	1	TANK	RESERVOIR	SERBATOIO	TANK	DEPOSITO	
34	900.236.030	1	DISTRIBUTOR	DISTRIBUTEUR	DISTRIBUTORE	VERTEILER	DISTRIBUIDOR	
35	900.236.044	1	PIPE	TUBE	TUBO	ROHR	TUBO	
36	900.104.033	8	WASHER	RONDELLE	RONDELLA	ZWISCHENSCHIBE	ARANDELA	
37	900.102.162	4	BOLT	BOULON	BULLONE	SCHRAUBBOLZEN	BULON	
38	900.236.036	2	PIPE	TUBE	TUBO	ROHR	TUBO	
39	900.236.035	1	PIPE	TUBE	TUBO	ROHR	TUBO	
40	900.236.034	1	PIPE	TUBE	TUBO	ROHR	TUBO	

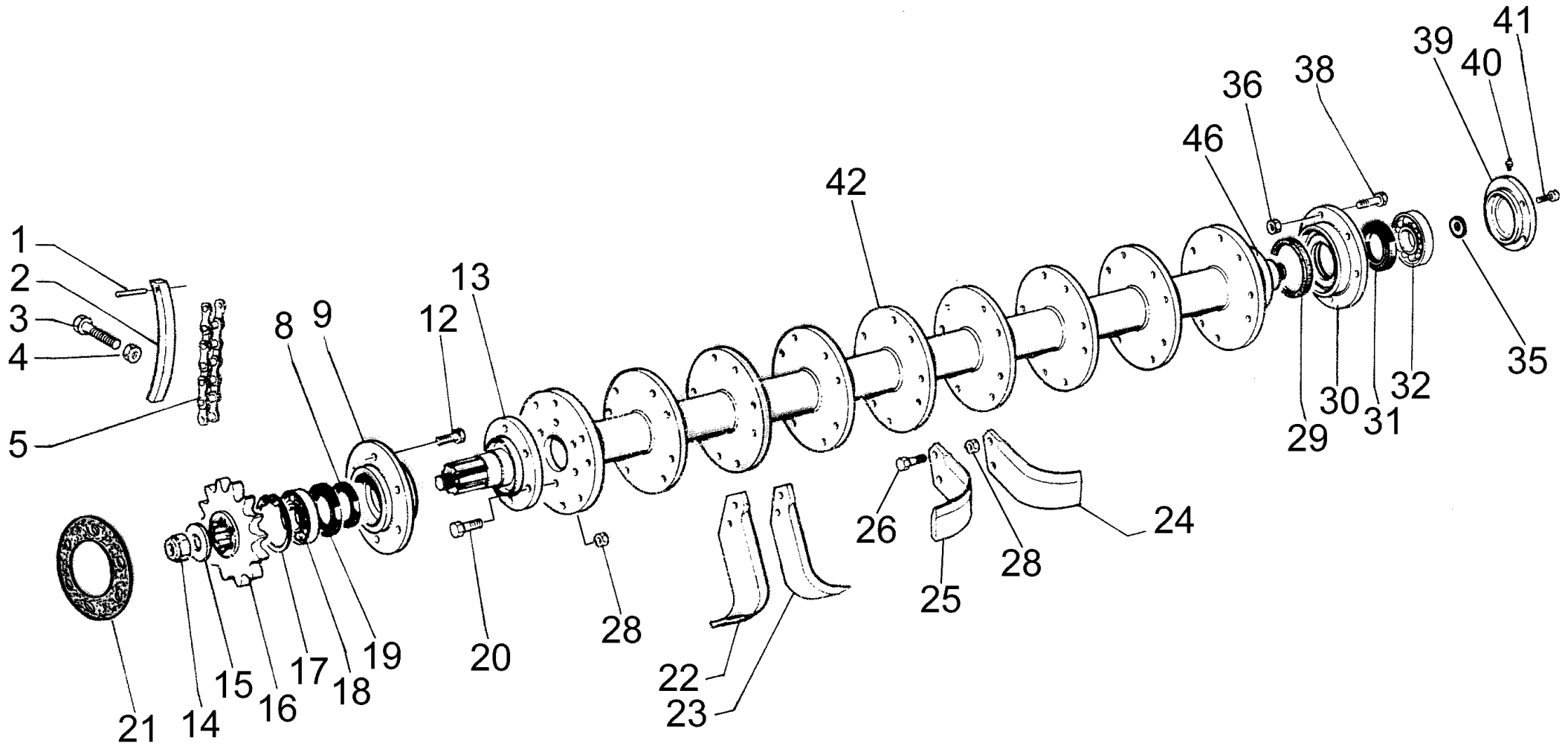


D-2-2-0

REF	CODE	QTY	ENGLISH	FRANÇAIS	ITALIANO	DEUTSCH	ESPAÑOL	NOTE
41	900.236.047	1	FITTING	RACCORD	RACCORDO	FEDER	RACORD	
42	900.237.205	1	NIPPLES	NIPPLES	NIPPLES	NIPPEL	NIPPLES	
43	900.231.025	1	NIPPLES	NIPPLES	NIPPLES	NIPPEL	NIPPLES	
44	900.102.007	4	SCREW	VIS	VITE	SCHRAUBE	TORNILLO	
46	900.236.045	1	FITTING	RACCORD	RACCORDO	FEDER	RACORD	
47	900.103.002	3	NUT	ECROU	DADO	MUTTER	TUERCA	
48	900.103.005	4	NUT	ECROU	DADO	MUTTER	TUERCA	
49	900.102.187	3	SCREW	VIS	VITE	SCHRAUBE	TORNILLO	
50	900.102.012	16	SCREW	VIS	VITE	SCHRAUBE	TORNILLO	
51	900.117.070	1	PROT. HOLDER	DISQUE	FONDELLO	ZWSCHUTZHALTER	DISCO	
52	900.117.072	1	GUARD	PROTECTION	PROTEZIONE	SCHUTZ	PROTECCION	
53	900.104.010	4	WASHER	RONDELLE	RONDELLA	ZWISCHENSCHIEBE	ARANDELA	
54	900.102.256.T	3	SCREW	VIS	VITE	SCHRAUBE	TORNILLO	
55	900.236.051	1	ARM	LEVIER	LEVA	SCHALTHEBEL	PALANCA	
56	900.237.135	4	CLAMP	BANDE	FASCETTA	BINDE	BANDEJA	
57	900.139.004	1	GASKET	JOINT	GUARNIZIONE	DICHTUNG	JUNTA	
58	900.102.020	6	SCREW	VIS	VITE	SCHRAUBE	TORNILLO	
59	900.103.050	6	NUT	ECROU	DADO	MUTTER	TUERCA	

ROTOR
ROTOR
ROTORE
ROTOR
ROTOR
ROTOR

ROM-H



D-2-3-0

REF	CODE	QTY	ENGLISH	FRANÇAIS	ITALIANO	DEUTSCH	ESPAÑOL	NOTE
1	900.113.015	1	PIN	TOURILLON	PERNO	STIFT	PERNO	
2	900.113.008	1	STRETCHER	TENDEUR	TENDICATENA	KETTENSANNER	TENSOR CADENA	
3	900.102.084	1	SCREW	VIS	VITE	SCHRAUBE	TORNILLO	
4	900.103.006	1	NUT	ECROU	DADO	MUTTER	TUERCA	
5	900.112.019	1	CHAIN	CHAINE	CATENA	KETTE	CADENA	
8	900.101.002	1	OIL SEAL	PARE-HUILE	PARAOLIO	SIMMERRING	PARA-ACEITE	
9	900.110.079	1	SUPPORT	SUPPORT	SUPPORTO	STUETZE	SOPORTE	
12	900.102.027	6	SCREW	VIS	VITE	SCHRAUBE	TORNILLO	
13	900.110.096.0	1	HUB	MOYEU	MOZZO	NABE	MOZO	
14	900.103.030.T	1	RING NUT	EMBOUT	GHIERA	NUTMUTTER	CASQUILLO	> 53690
15	900.104.013	1	WASHER	RONDELLE	RONDELLA	ZWISCHENSCHIEBE	ARANDELA	
16	900.112.052	1	PINION	PIGNON	PIGNONE	RITZEL	PINON	
17	900.106.007	1	CIRCLIP	SERFLEX	SEEGER	SEEGER	SEEGER	
18	900.100.019	1	BEARING	ROULEMENT	CUSCINETTO	KUGELLAGER	COJINETE	
19	900.101.002	1	OIL SEAL	PARE-HUILE	PARAOLIO	SIMMERRING	PARA-ACEITE	
20	900.102.232	6	SCREW	VIS	VITE	SCHRAUBE	TORNILLO	
21	900.139.010	1	GASKET	JOINT	GUARNIZIONE	DICHTUNG	JUNTA	
22	900.111.017	--	BLADE	LAME	ZAPPETTA	MESSER	AZADA	
23	900.111.018	--	BLADE	LAME	ZAPPETTA	MESSER	AZADA	
24	900.111.023	--	BLADE	LAME	ZAPPETTA	MESSER	AZADA	
25	900.111.024	--	BLADE	LAME	ZAPPETTA	MESSER	AZADA	
26	900.102.045	--	SCREW	VIS	VITE	SCHRAUBE	TORNILLO	
28	900.103.027	--	NUT	ECROU	DADO	MUTTER	TUERCA	
29	900.107.022	1	RING	ANNEAU	ANELLO	RING	ANILLO	
30	900.110.013	1	SUPPORT	SUPPORT	SUPPORTO	STUETZE	SOPORTE	
31	900.101.001	1	OIL SEAL	PARE-HUILE	PARAOLIO	SIMMERRING	PARA-ACEITE	
32	900.100.016	1	BEARING	ROULEMENT	CUSCINETTO	KUGELLAGER	COJINETE	
35	900.103.069	1	RING NUT	EMBOUT	GHIERA	NUTMUTTER	CASQUILLO	
36	900.103.050	4	NUT	ECROU	DADO	MUTTER	TUERCA	
38	900.102.020	4	SCREW	VIS	VITE	SCHRAUBE	TORNILLO	
39	900.110.023	1	CLAMPING	CHAPEAU	CAPPELOTTO	KAPPE	CAPUCHON	
40	900.105.007	1	GREASE NIPPLE	GRAISSEUR	INGRASSATORE	SCHMIERNIPPEL	ENGRASADOR	
41	900.102.203	4	SCREW	VIS	VITE	SCHRAUBE	TORNILLO	
42	900.110.091	1	ROTOR	ROTOR	ROTORE	ROTOR	ROTOR	140
42	900.110.092	1	ROTOR	ROTOR	ROTORE	ROTOR	ROTOR	160
42	900.110.093	1	ROTOR	ROTOR	ROTORE	ROTOR	ROTOR	180
42	900.110.094	1	ROTOR	ROTOR	ROTORE	ROTOR	ROTOR	200
46	900.110.019	1	RING	ANNEAU	ANELLO	RING	ANILLO	