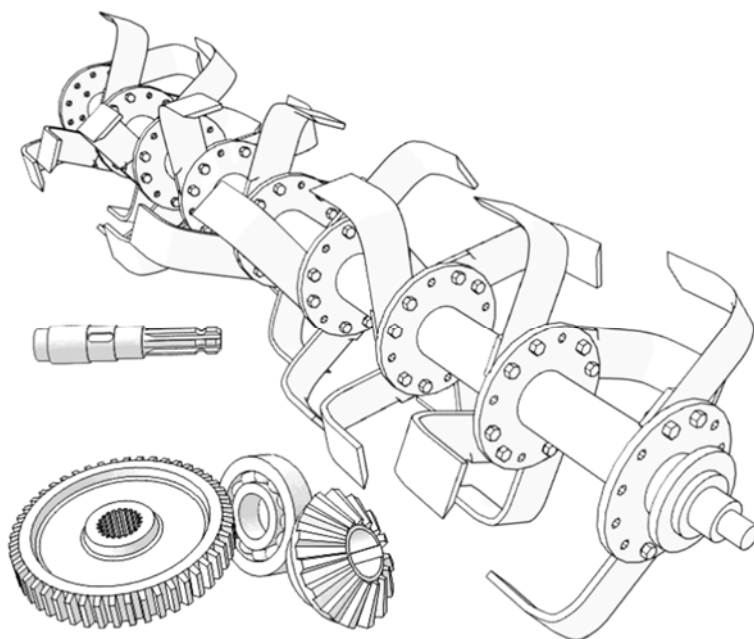




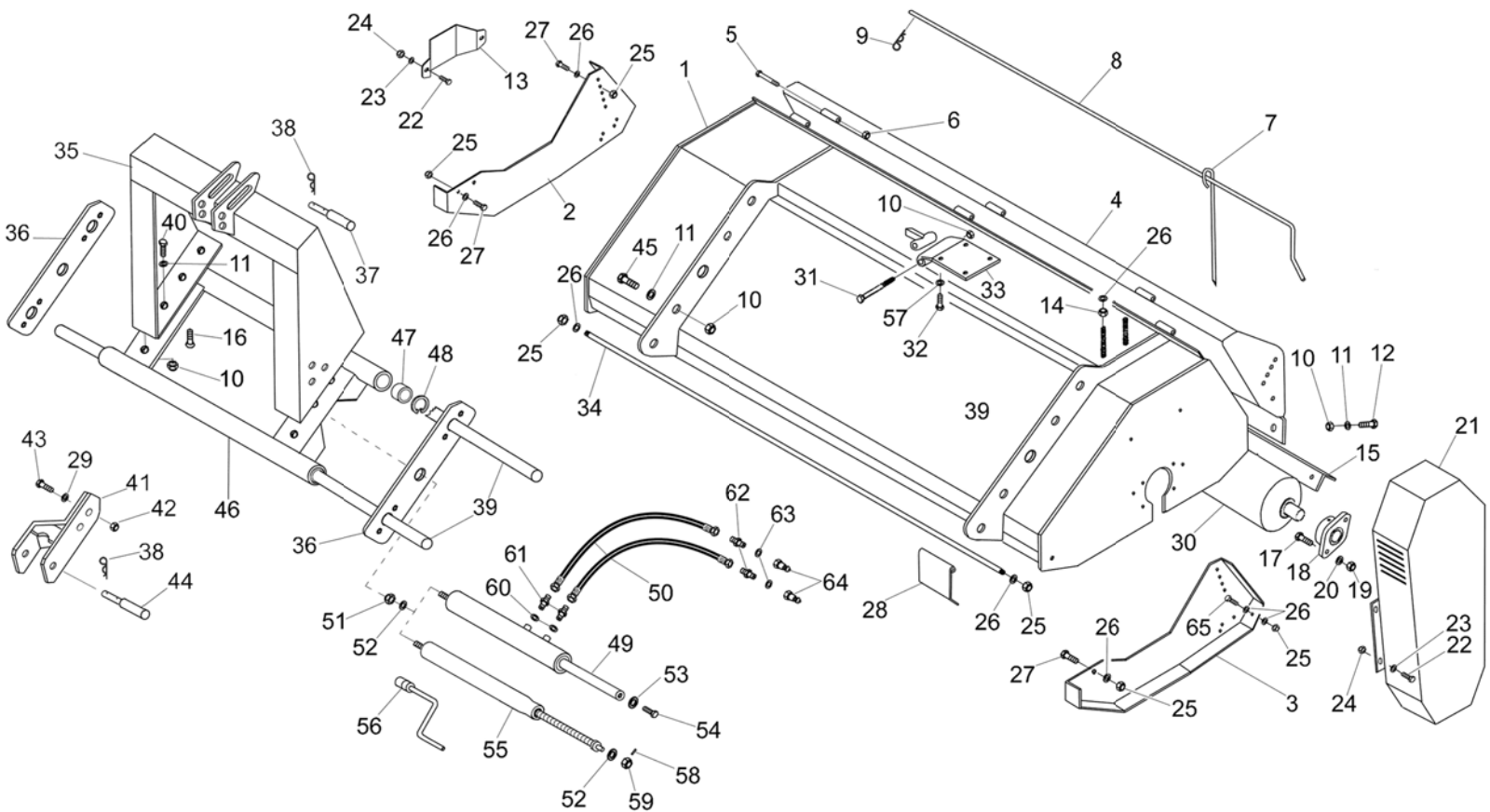
*SPARE PARTS CATALOGUE
CATALOGUE DE PIÈCES DÉTACHÉES
CATALOGO RICAMBI
ERSATZKATALOG
CATÁLOGO DE REPUESTOS*

VFM-2, VFI-2



Rev. 2015

VFM-2, VF1-2



FRAME - CHASSIS - TELAIO - RAHMEN - BASTIDOR

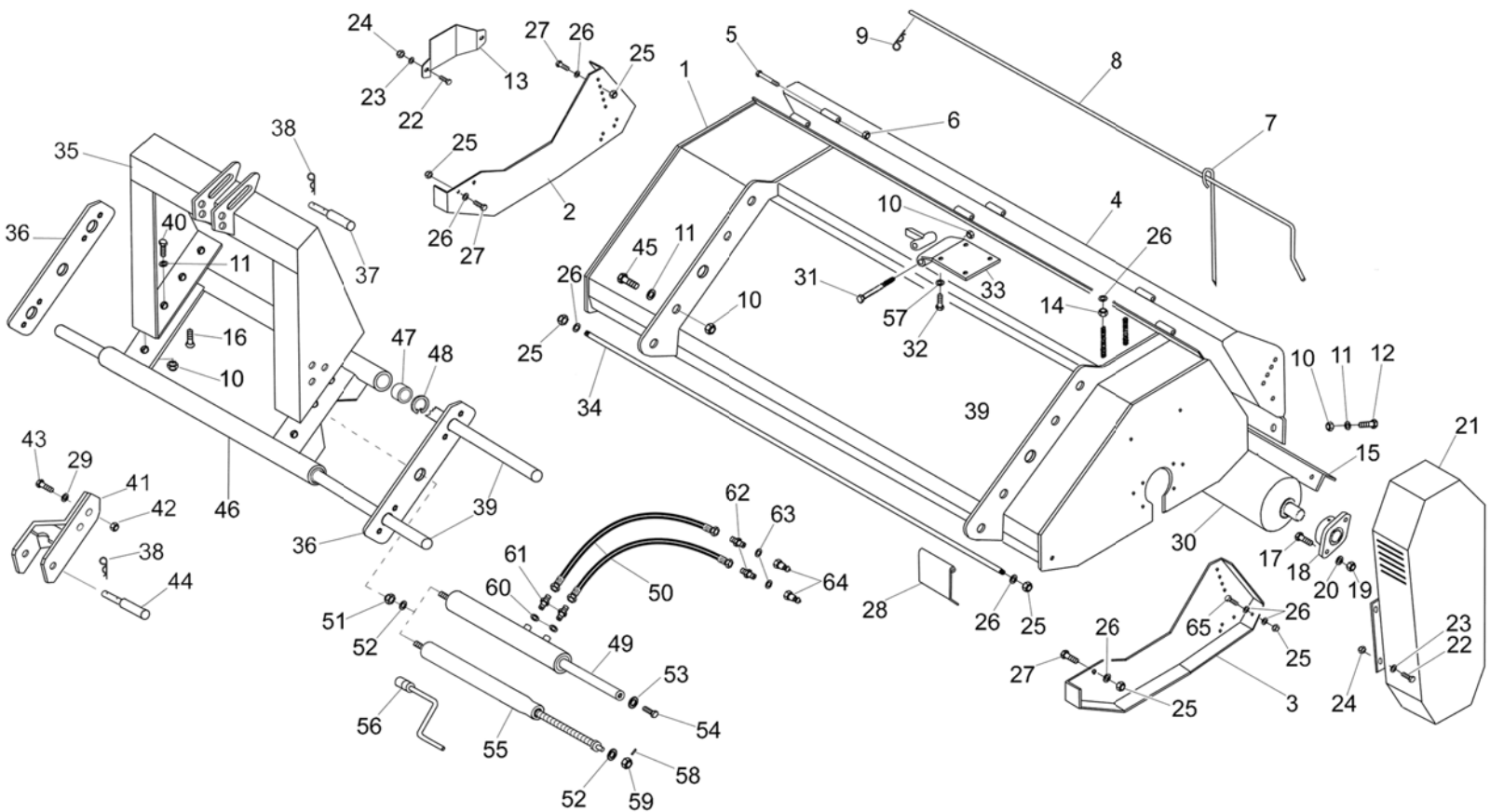
VFM-2, VFI-2



REF	CODE	QTY	ENGLISH	FRANÇAIS	ITALIANO	DEUTSCH	ESPAÑOL	NOTE
1	900.142.250	1	FRAME	CHASSIS	TELAIO	RAHMEN	BASTIDOR	120
1	900.142.251	1	FRAME	CHASSIS	TELAIO	RAHMEN	BASTIDOR	140
1	900.142.252	1	FRAME	CHASSIS	TELAIO	RAHMEN	BASTIDOR	160
1	900.142.253	1	FRAME	CHASSIS	TELAIO	RAHMEN	BASTIDOR	180
1	900.142.254	1	FRAME	CHASSIS	TELAIO	RAHMEN	BASTIDOR	200
1	900.142.255	1	FRAME	CHASSIS	TELAIO	RAHMEN	BASTIDOR	220
2	900.251.007	1	SKID	PATIN	SLITTA	KUFE	CORREDERA	
3	900.251.008	1	SKID	PATIN	SLITTA	KUFE	CORREDERA	
4	900.114.100.0	1	SHIELD	CAPOT	COFANO	HAUBE	CARCASA	120
4	900.114.101.0	1	SHIELD	CAPOT	COFANO	HAUBE	CARCASA	140
4	900.114.102.0	1	SHIELD	CAPOT	COFANO	HAUBE	CARCASA	160
4	900.114.103.0	1	SHIELD	CAPOT	COFANO	HAUBE	CARCASA	180
4	900.114.104.0	1	SHIELD	CAPOT	COFANO	HAUBE	CARCASA	200
4	900.114.105.0	1	SHIELD	CAPOT	COFANO	HAUBE	CARCASA	220
5	900.102.204	3	SCREW	VIS	VITE	SCHRAUBE	TORNILLO	
6	900.103.018	3	NUT	ECROU	DADO	MUTTER	TUERCA	
7	900.240.228	-	ROD	TIGE	ASTA	STANGE	VARILLA	
8	900.151.001	1	PIN	CHEVILLE	SPINA	DORN	CLAVIJA	120
8	900.151.002	1	PIN	CHEVILLE	SPINA	DORN	CLAVIJA	140
8	900.151.003	1	PIN	CHEVILLE	SPINA	DORN	CLAVIJA	160
8	900.151.004	1	PIN	CHEVILLE	SPINA	DORN	CLAVIJA	180
8	900.151.005	1	PIN	CHEVILLE	SPINA	DORN	CLAVIJA	200
8	900.151.006	1	PIN	CHEVILLE	SPINA	DORN	CLAVIJA	220
9	900.108.005	1	SPLIT PIN	GOUPILLE	COPIGLIA	ARRETIERUNG	PASADOR	
10	900.103.021	16	NUT	ECROU	DADO	MUTTER	TUERCA	
11	900.104.044	16	WASHER	RONDELLE	RONDELLA	ZWISCHENSCHIEBE	ARANDELA	
12	900.102.255	2	SCREW	VIS	VITE	SCHRAUBE	TORNILLO	120, 140
12	900.102.222	2	SCREW	VIS	VITE	SCHRAUBE	TORNILLO	160÷220
13	900.240.001	1	GUARD	PROTECTION	PROTEZIONE	SCHUTZ	PROTECCION	
14	900.103.035	2	NUT	ECROU	DADO	MUTTER	TUERCA	
15	900.251.014.1	1	SCRAPER	RACLEUR	RASCHIARULLO	WALZENSCHABER	RASCARODILLO	120
15	900.251.015	1	SCRAPER	RACLEUR	RASCHIARULLO	WALZENSCHABER	RASCARODILLO	140
15	900.251.016	1	SCRAPER	RACLEUR	RASCHIARULLO	WALZENSCHABER	RASCARODILLO	160
15	900.251.158	1	SCRAPER	RACLEUR	RASCHIARULLO	WALZENSCHABER	RASCARODILLO	180
15	900.251.073	1	SCRAPER	RACLEUR	RASCHIARULLO	WALZENSCHABER	RASCARODILLO	200
15	900.251.159	1	SCRAPER	RACLEUR	RASCHIARULLO	WALZENSCHABER	RASCARODILLO	220
16	900.102.351	1	SCREW	VIS	VITE	SCHRAUBE	TORNILLO	
17	900.102.100	4	SCREW	VIS	VITE	SCHRAUBE	TORNILLO	120, 140
17	900.102.096	4	SCREW	VIS	VITE	SCHRAUBE	TORNILLO	160÷220
18	900.100.082	2	SUPPORT	SUPPORT	SUPPORTO	STUETZE	SOPORTE	120, 140
18	900.100.030	2	SUPPORT	SUPPORT	SUPPORTO	STUETZE	SOPORTE	160÷220
19	900.103.018	4	NUT	ECROU	DADO	MUTTER	TUERCA	120, 140
19	900.103.021	4	NUT	ECROU	DADO	MUTTER	TUERCA	160÷220
20	900.104.045	4	WASHER	RONDELLE	RONDELLA	ZWISCHENSCHIEBE	ARANDELA	120, 140
20	900.104.044	4	WASHER	RONDELLE	RONDELLA	ZWISCHENSCHIEBE	ARANDELA	160÷220
21	900.272.012	1	COVER	CARTER	CARTER	GEHAUESE	CARTER	
22	900.102.124	6	SCREW	VIS	VITE	SCHRAUBE	TORNILLO	
23	900.104.057	6	WASHER	RONDELLE	RONDELLA	ZWISCHENSCHIEBE	ARANDELA	
24	900.103.020	6	NUT	ECROU	DADO	MUTTER	TUERCA	
25	900.103.019	8	NUT	ECROU	DADO	MUTTER	TUERCA	
26	900.104.046	12	WASHER	RONDELLE	RONDELLA	ZWISCHENSCHIEBE	ARANDELA	
27	900.102.098	4	SCREW	VIS	VITE	SCHRAUBE	TORNILLO	
28	900.238.063	-	FLAP	AILETTE	ALETTA	SCHUTZLAMELLE	ALETA	
29	900.104.048	4	WASHER	RONDELLE	RONDELLA	ZWISCHENSCHIEBE	ARANDELA	
30	900.240.116.1	1	ROLLER	ROULEAU	RULLO	WALZE	RODILLO	120
30	900.251.050.1	1	ROLLER	ROULEAU	RULLO	WALZE	RODILLO	140
30	900.251.027.1	1	ROLLER	ROULEAU	RULLO	WALZE	RODILLO	160
30	900.240.118.1	1	ROLLER	ROULEAU	RULLO	WALZE	RODILLO	180
30	900.251.051.1	1	ROLLER	ROULEAU	RULLO	WALZE	RODILLO	200
30	900.251.052.1	1	ROLLER	ROULEAU	RULLO	WALZE	RODILLO	220
31	900.102.298	1	SCREW	VIS	VITE	SCHRAUBE	TORNILLO	
32	900.102.069	4	SCREW	VIS	VITE	SCHRAUBE	TORNILLO	
33	900.251.119	1	SUPPORT	SUPPORT	SUPPORTO	STUETZE	SOPORTE	

FRAME – CHASSIS – TELAIO – RAHMEN – BASTIDOR

VFM-2, VF1-2



FRAME - CHASSIS - TELAIO - RAHMEN - BASTIDOR

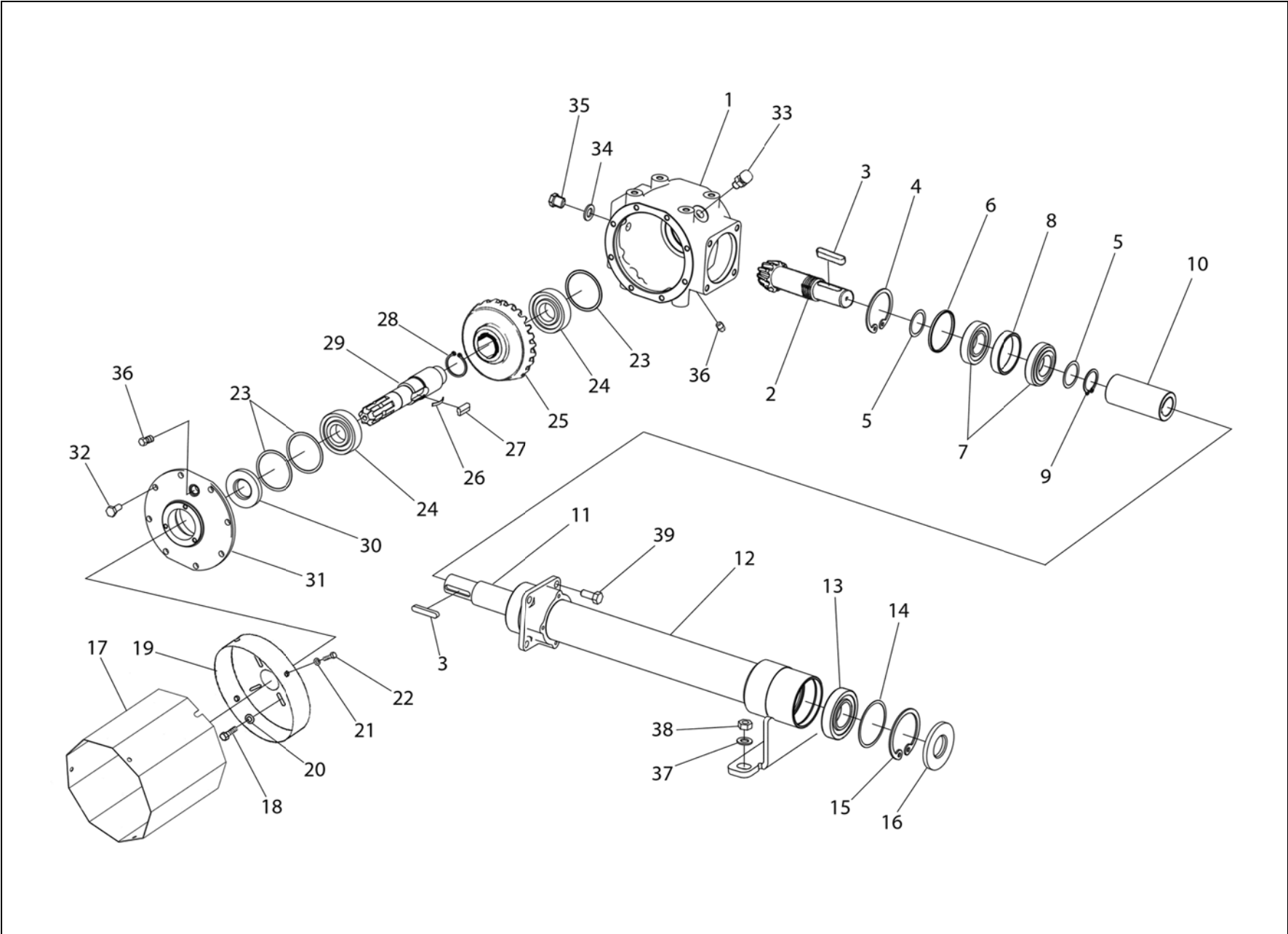
VFM-2, VFI-2



REF	CODE	QTY	ENGLISH	FRANÇAIS	ITALIANO	DEUTSCH	ESPAÑOL	NOTE
34	900.240.112	1	ROD	TIGE	ASTA	STANGE	VARILLA	120
34	900.238.057	1	ROD	TIGE	ASTA	STANGE	VARILLA	140
34	900.238.058	1	ROD	TIGE	ASTA	STANGE	VARILLA	160
34	900.240.114	1	ROD	TIGE	ASTA	STANGE	VARILLA	180
34	900.251.054	1	ROD	TIGE	ASTA	STANGE	VARILLA	200
34	900.251.055	1	ROD	TIGE	ASTA	STANGE	VARILLA	220
35	900.251.112	1	HITCH	ATTELAGE	ATTACCO	ANBAU	ENGANCHE	
36	900.150.002	2	SUPPORT	SUPPORT	SUPPORTO	STUETZE	SOPORTE	
37	900.116.028	1	PIN	TOURILLON	PERNO	STIFT	PERNO	
38	900.108.006	3	SPLIT PIN	GOUPILLE	COPIGLIA	ARRETIERUNG	PASADOR	
39	900.240.244	2	BAR	BARRE	BARRA	STANGE	BARRA	
40	900.102.188	5	SCREW	VIS	VITE	SCHRAUBE	TORNILLO	
41	900.251.111.1	2	ARM	BRAS	BRACCIO	ARM	BRAZO	
42	900.103.106	4	NUT	ECROU	DADO	MUTTER	TUERCA	
43	900.102.332	4	SCREW	VIS	VITE	SCHRAUBE	TORNILLO	
44	900.116.033	2	PIN	TOURILLON	PERNO	STIFT	PERNO	
45	900.102.096	8	SCREW	VIS	VITE	SCHRAUBE	TORNILLO	
46	900.251.110	1	MINI TRAILER	CHARIOT	CARRELLO	FAHRGESTELL	REMOLQUE	
47	900.240.239	4	BUSH	COQUILLE	BOCCOLA	BUCHSE	CASQUILLO	
48	900.106.033	4	CIRCLIP	SERFLEX	SEEGER	SEEGER	SEEGER	
49	900.120.066.0	1	CYLINDER	VERIN	CILINDRO	ZYLINDER	CILINDRO	
50	900.237.013	2	PIPE	TUBE	TUBO	ROHR	TUBO	
51	900.103.023	1	NUT	ECROU	DADO	MUTTER	TUERCA	
52	900.104.043	2	WASHER	RONDELLE	RONDELLA	ZWISCHENSCHIEBE	ARANDELA	VF-I
53	900.104.044	1	WASHER	RONDELLE	RONDELLA	ZWISCHENSCHIEBE	ARANDELA	
54	900.102.188	1	SCREW	VIS	VITE	SCHRAUBE	TORNILLO	
55	900.120.065.0	1	ADJUST.SCREW	VIS DE REGL.	VITE REG.	EINST.SCHRAUBE	TORNILLO REG.	
56	900.120.071	1	CRANK	MANIVELLE	MANOVELLA	KURBEL	MANIVELA	
57	900.104.036	4	WASHER	RONDELLE	RONDELLA	ZWISCHENSCHIEBE	ARANDELA	
58	900.108.011	1	PIN	CHEVILLE	SPINA	DORN	CLAVIJA	
59	900.120.074	1	NUT	ECROU	DADO	MUTTER	TUERCA	
60	900.104.039	2	WASHER	RONDELLE	RONDELLA	ZWISCHENSCHIEBE	ARANDELA	
61	900.237.154	2	FITTING	RACCORD	RACCORDO	FEDER	RACORD	
62	900.237.296	2	FITTING	RACCORD	RACCORDO	FEDER	RACORD	
63	900.104.033	2	WASHER	RONDELLE	RONDELLA	ZWISCHENSCHIEBE	ARANDELA	
64	900.237.174	2	JACK	EMBAYAGE	INNESTO	VERBINDEN	CONEXION	
65	900.102.102	2	SCREW	VIS	VITE	SCHRAUBE	TORNILLO	

FRAME – CHASSIS – TELAIO – RAHMEN – BASTIDOR

GEARBOX - BOITE DE VITESSE - GRUPPO - GETRIEBE - REDUCTOR



VFM-2, VF1-2



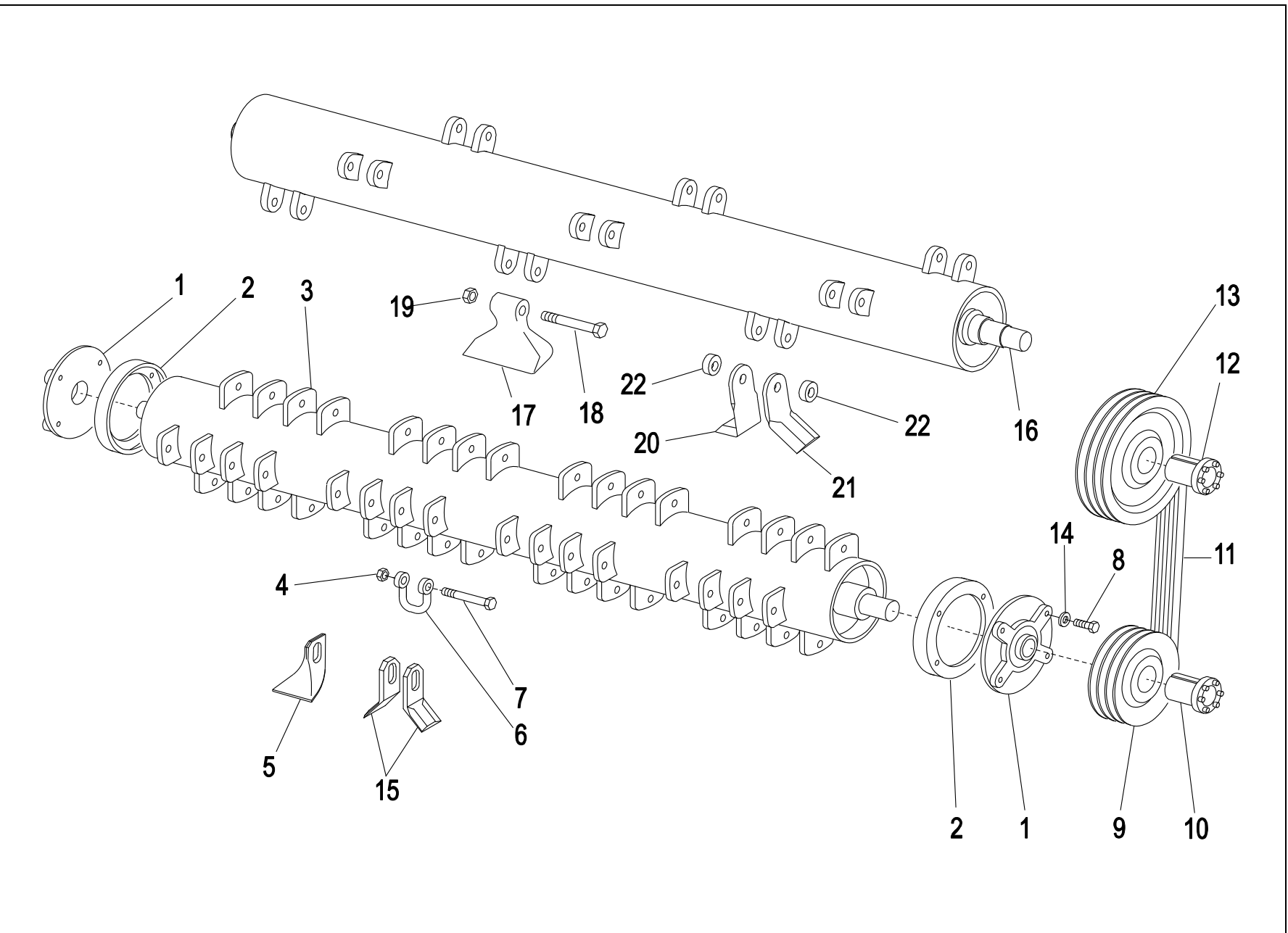
VFM-2, VFI-2



REF	CODE	QTY	ENGLISH	FRANÇAIS	ITALIANO	DEUTSCH	ESPAÑOL	NOTE
1	900.161.015	1	CASE	BOITE	SCATOLA	KISTE	CAJA	
2	900.160.021	1	PINION	PIGNON	PIGNONE	RITZEL	PINON	
3	900.105.012	2	KEY	CLAVETTE	CHIAVETTA	KEIL	CHAVETA	
4	900.106.011	1	CIRCLIP	SERFLEX	SEEGER	SEEGER	SEEGER	
5	900.107.047	2	SHIM	EPAISSEUR	SPESSORE	STAERKE	ESPEJOR	
6	900.107.068	1	SPACER	ENTRETOISE	DISTANZIALE	ABSTANDSRING	DISTANCIADOR	
7	900.100.034	2	BEARING	ROULEMENT	CUSCINETTO	KUGELLAGER	COJINETE	
8	900.107.067	1	SPACER	ENTRETOISE	DISTANZIALE	ABSTANDSRING	DISTANCIADOR	
9	900.106.003	1	CIRCLIP	SERFLEX	SEEGER	SEEGER	SEEGER	
10	900.251.040	1	BUSH	COQUILLE	BOCCOLA	BUCHSE	CASQUILLO	
11	900.118.090	1	SHAFT	ARBRE	ALBERO	WELLE	EJE	
12	900.119.085	1	TUBE	TUBE	CANNOTTO	ROHR	TUBO	
13	900.100.016	1	BEARING	ROULEMENT	CUSCINETTO	KUGELLAGER	COJINETE	
14	900.107.010	1	SHIM	EPAISSEUR	SPESSORE	STAERKE	ESPEJOR	
15	900.106.005	1	CIRCLIP	SERFLEX	SEEGER	SEEGER	SEEGER	
16	900.101.076	1	OIL SEAL	PARE-HUILE	PARAOLIO	SIMMERRING	PARA-ACEITE	
17	900.117.072.2	1	GUARD	PROTECTION	PROTEZIONE	SCHUTZ	PROTECCION	
18	900.102.256	3	SCREW	VIS	VITE	SCHRAUBE	TORNILLO	
19	900.117.070	1	PROT. HOLDER	DISQUE	FONDELLO	ZWSCHUTZHALTER	DISCO	
20	900.104.057	3	WASHER	RONDELLE	RONDELLA	ZWISCHENSCHIEBE	ARANDELA	
21	900.104.052	3	WASHER	RONDELLE	RONDELLA	ZWISCHENSCHIEBE	ARANDELA	
22	900.102.256	3	SCREW	VIS	VITE	SCHRAUBE	TORNILLO	
23	900.107.038	4	SHIM	EPAISSEUR	SPESSORE	STAERKE	ESPEJOR	
24	900.100.038	2	BEARING	ROULEMENT	CUSCINETTO	KUGELLAGER	COJINETE	
25	900.160.022	1	CROWN	COURONNE	CORONA	TELLERRAD	CORONA	
26	900.251.080	2	SPRING	RESSORT	MOLLA	FEDER	MUELLE	
27	900.251.081	2	KEY	CLAVETTE	LINGUETTA	KEIL	CHAVETA	
28	900.106.035	1	CIRCLIP	SERFLEX	SEEGER	SEEGER	SEEGER	
29	900.160.023	1	SHAFT	ARBRE	ALBERO	WELLE	EJE	
30	900.101.009.A	1	OIL SEAL	PARE-HUILE	PARAOLIO	SIMMERRING	PARA-ACEITE	
31	900.161.016	1	LID	COUVERCLE	COPERCHIO	DECKEL	TAPA	
32	900.102.011	8	SCREW	VIS	VITE	SCHRAUBE	TORNILLO	
33	900.102.323	1	PLUG	BOUCHON	TAPPO	DECKEL	TAPON	
34	900.104.085	1	WASHER	RONDELLE	RONDELLA	ZWISCHENSCHIEBE	ARANDELA	
35	900.102.110	1	PLUG	BOUCHON	TAPPO	DECKEL	TAPON	
36	900.102.079	2	PLUG	BOUCHON	TAPPO	DECKEL	TAPON	
37	900.104.046	2	WASHER	RONDELLE	RONDELLA	ZWISCHENSCHIEBE	ARANDELA	
38	900.103.035	2	NUT	ECROU	DADO	MUTTER	TUERCA	
39	900.102.019	4	SCREW	VIS	VITE	SCHRAUBE	TORNILLO	

GEARBOX – BOITE DE VITESSE – GRUPPO – GETRIEBE – REDUCTOR

VFM-2, VF1-2



ROTOR - ROTOR - ROTORE - ROTOR - ROTOR

VFM-2, VFI-2



REF	CODE	QTY	ENGLISH	FRANÇAIS	ITALIANO	DEUTSCH	ESPAÑOL	NOTE
1	900.100.093	2	SUPPORT	SUPPORT	SUPPORTO	STUETZE	SOPORTE	120-140
1	900.100.088	2	SUPPORT	SUPPORT	SUPPORTO	STUETZE	SOPORTE	160-180
1	900.100.098	2	SUPPORT	SUPPORT	SUPPORTO	STUETZE	SOPORTE	200-220
2	900.240.127	2	COUNTER-FLANGE	CONTRE-FLASQUE	CONTROFLANGIA	GEGENFLANSCH	CONTRA-BRIDA	120-140
2	900.240.128.1	2	COUNTER-FLANGE	CONTRE-FLASQUE	CONTROFLANGIA	GEGENFLANSCH	CONTRA-BRIDA	160-180
2	900.251.070.1	2	COUNTER-FLANGE	CONTRE-FLASQUE	CONTROFLANGIA	GEGENFLANSCH	CONTRA-BRIDA	200-220
3	900.240.123	1	ROTOR	ROTOR	ROTORE	ROTOR	ROTOR	120
3	900.251.046	1	ROTOR	ROTOR	ROTORE	ROTOR	ROTOR	140
3	900.251.047	1	ROTOR	ROTOR	ROTORE	ROTOR	ROTOR	160
3	900.240.125	1	ROTOR	ROTOR	ROTORE	ROTOR	ROTOR	180
3	900.251.048	1	ROTOR	ROTOR	ROTORE	ROTOR	ROTOR	200
3	900.251.049	1	ROTOR	ROTOR	ROTORE	ROTOR	ROTOR	220
4	900.103.019	-	NUT	ECROU	DADO	MUTTER	TUERCA	
5	900.234.050	-	KNIFE	COUTEAU	COLTELLO	MESSER	CUCHILLA	
6	900.240.061	-	U-BOLT	MANILLE	CAVALLOTTO	U-BOLZEN	SOPORTE	
7	900.102.252	-	SCREW	VIS	VITE	SCHRAUBE	TORNILLO	
8	900.102.021	8	SCREW	VIS	VITE	SCHRAUBE	TORNILLO	120-180
8	900.102.029	8	SCREW	VIS	VITE	SCHRAUBE	TORNILLO	200-220
9	900.238.087	1	PULLEY	POULIE	PULEGGIA	REIMENSCHLEIBE	POLEA	
10	900.251.030	1	CLAMPING	BLOCAGE	CALETTATORE	KLEMMHUELSE	ENSAMBLADOR	120-140
10	900.238.091	1	CLAMPING	BLOCAGE	CALETTATORE	KLEMMHUELSE	ENSAMBLADOR	160-220
11	900.241.114	3	BELT	COURROIE	CINGHIA	RIEMEN	CINTA	
12	900.238.091	1	CLAMPING	BLOCAGE	CALETTATORE	KLEMMHUELSE	ENSAMBLADOR	
13	900.238.083	1	PULLEY	POULIE	PULEGGIA	REIMENSCHLEIBE	POLEA	
14	900.104.010	8	WASHER	RONDELLE	RONDELLA	ZWISCHENSCHLEIBE	ARANDELA	120-180
14	900.104.021	8	WASHER	RONDELLE	RONDELLA	ZWISCHENSCHLEIBE	ARANDELA	200-220
15	900.240.060	-	KNIFE	COUTEAU	COLTELLO	MESSER	CUCHILLA	
16	900.251.068	1	ROTOR	ROTOR	ROTORE	ROTOR	ROTOR	120
16	900.251.069	1	ROTOR	ROTOR	ROTORE	ROTOR	ROTOR	140
16	900.251.063	1	ROTOR	ROTOR	ROTORE	ROTOR	ROTOR	160
16	900.251.064	1	ROTOR	ROTOR	ROTORE	ROTOR	ROTOR	180
16	900.251.065	1	ROTOR	ROTOR	ROTORE	ROTOR	ROTOR	200
16	900.251.066	1	ROTOR	ROTOR	ROTORE	ROTOR	ROTOR	220
17	900.239.085	-	HAMMER KNIFE	MASSE MOULE	MAZZA	HAMMER	MARTILLO	
18	900.102.117	-	SCREW	VIS	VITE	SCHRAUBE	TORNILLO	
19	900.103.023	-	NUT	ECROU	DADO	MUTTER	TUERCA	
20	900.240.086	-	KNIFE	COUTEAU	COLTELLO	MESSER	CUCHILLA	
21	900.239.091	-	KNIFE	COUTEAU	COLTELLO	MESSER	CUCHILLA	
22	900.240.087	-	SPACER	ENTRETOISE	DISTANZIALE	ABSTANDSRING	DISTANCIADOR	

ROTOR – ROTOR – ROTORE – ROTOR - ROTOR