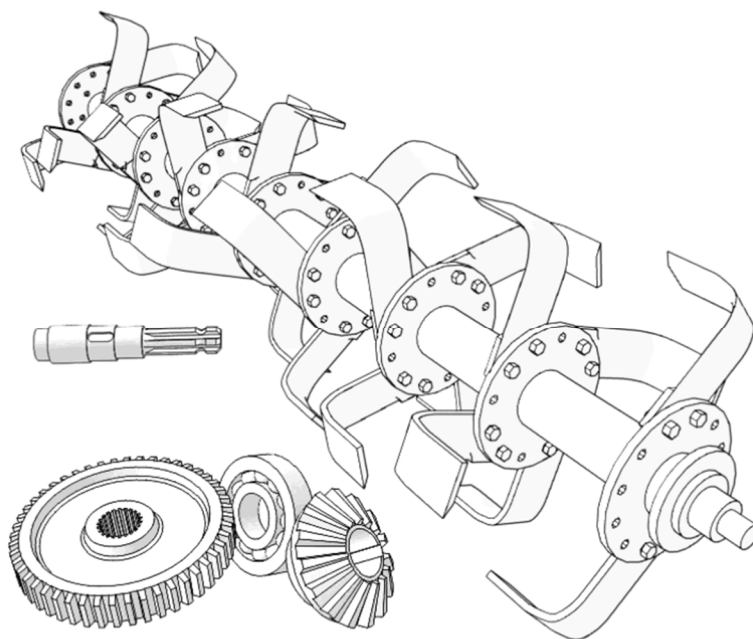


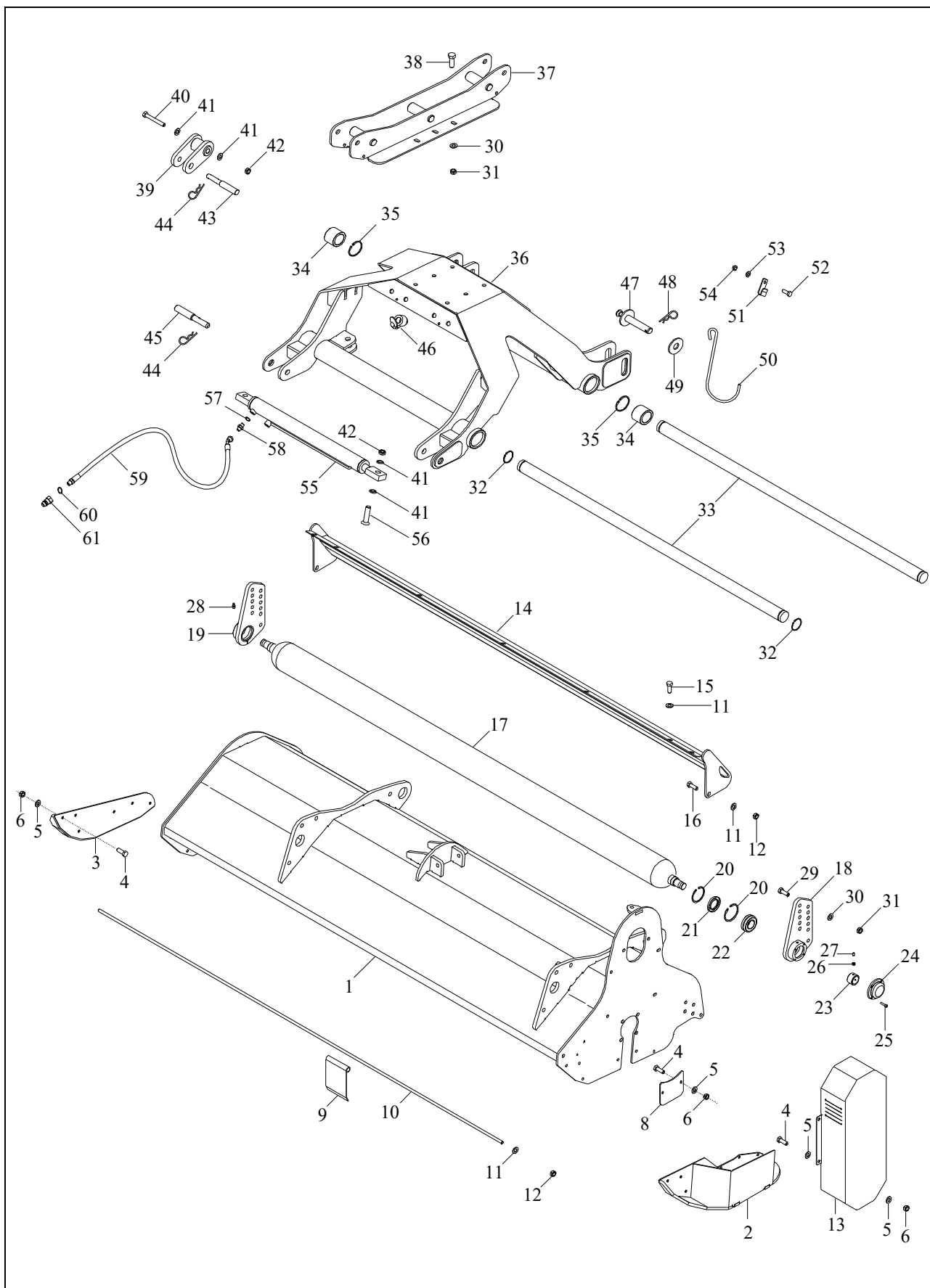


*SPARE PARTS CATALOGUE
CATALOGUE DE PIÈCES DÉTACHÉES
CATALOGO RICAMBI
ERSATZKATALOG
CATÁLOGO DE REPUESTOS*

BT



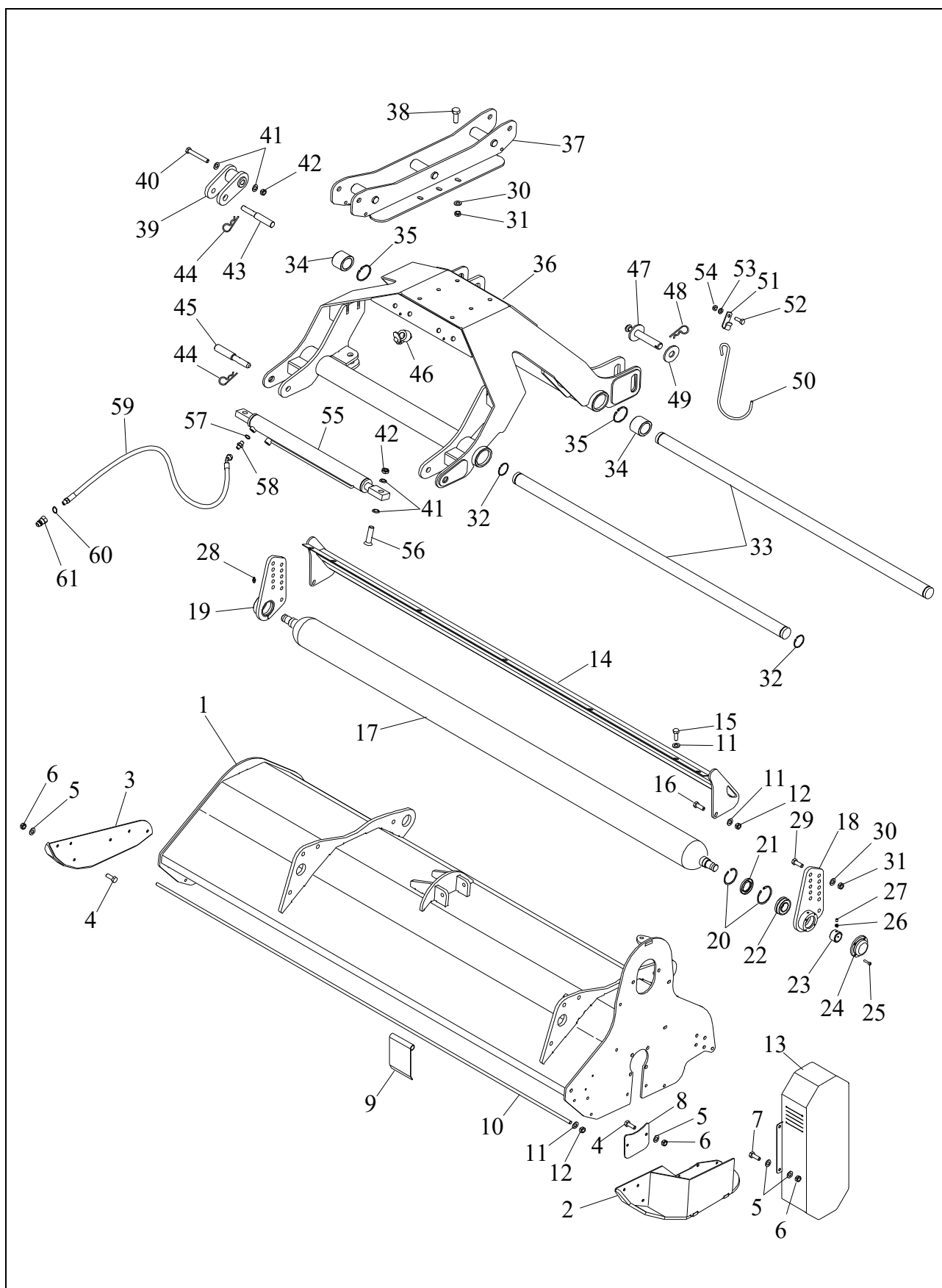
Rev. 2021



FRAME – CHASSIS – TELAIO – RAHMEN – BASTIDOR

REF	CODE	QTY	ENGLISH	FRANÇAIS	ITALIANO	DEUTSCH	ESPAÑOL	NOTE
1	900.251.312	1	FRAME	CHASSIS	TELAIO	RAHMEN	BASTIDOR	180
1	900.251.313	1	FRAME	CHASSIS	TELAIO	RAHMEN	BASTIDOR	200
1	900.251.314	1	FRAME	CHASSIS	TELAIO	RAHMEN	BASTIDOR	230
2	900.251.366	1	SKID	PATIN	SLITTA	KUFE	CORREDERA	
3	900.251.365	1	SKID	PATIN	SLITTA	KUFE	CORREDERA	
4	900.102.100	16	SCREW	VIS	VITE	SCHRAUBE	TORNILLO	
5	900.104.045	20	WASHER	RONDELLE	RONDELLA	ZWISCHENSCHLEIBE	ARANDELA	
6	900.103.018	16	NUT	ECROU	DADO	MUTTER	TUERCA	
8	900.251.189	1	PLATE	PLAQUE	PIASTRA	PLATTE	PLACA	
9	900.238.063	18	FLAP	AILETTE	ALETTA	SCHUTZLAMELLE	ALETA	180
9	900.238.063	20	FLAP	AILETTE	ALETTA	SCHUTZLAMELLE	ALETA	200
9	900.238.063	23	FLAP	AILETTE	ALETTA	SCHUTZLAMELLE	ALETA	230
10	900.240.114	1	ROD	TIGE	ASTA	STANGE	VARILLA	180
10	900.251.054	1	ROD	TIGE	ASTA	STANGE	VARILLA	200
10	900.238.060	1	ROD	TIGE	ASTA	STANGE	VARILLA	230
11	900.104.046	10	WASHER	RONDELLE	RONDELLA	ZWISCHENSCHLEIBE	ARANDELA	180, 200
11	900.104.046	11	WASHER	RONDELLE	RONDELLA	ZWISCHENSCHLEIBE	ARANDELA	230
12	900.103.019	4	NUT	ECROU	DADO	MUTTER	TUERCA	
13	900.272.003.1	1	COVER	CARTER	CARTER	GEHAEUSE	CARTER	
14	900.251.350	1	SHIELD	CAPOT	COFANO	HAUBE	CARCASA	180
14	900.251.351	1	SHIELD	CAPOT	COFANO	HAUBE	CARCASA	200
14	900.251.352	1	SHIELD	CAPOT	COFANO	HAUBE	CARCASA	230
15	900.102.118	6	SCREW	VIS	VITE	SCHRAUBE	TORNILLO	180, 200
15	900.102.118	7	SCREW	VIS	VITE	SCHRAUBE	TORNILLO	230
16	900.102.102	2	SCREW	VIS	VITE	SCHRAUBE	TORNILLO	
17	900.251.206	1	ROLLER	ROULEAU	RULLO	WALZE	RODILLO	180
17	900.238.370.1	1	ROLLER	ROULEAU	RULLO	WALZE	RODILLO	200
17	900.238.371.1	1	ROLLER	ROULEAU	RULLO	WALZE	RODILLO	230
18	900.251.357	1	SUPPORT	SUPPORT	SUPPORTO	STUETZE	SOPORTE	
19	900.251.356	1	SUPPORT	SUPPORT	SUPPORTO	STUETZE	SOPORTE	
20	900.106.028	4	CIRCLIP	SERFLEX	SEEGER	SEEGER	SEEGER	
21	900.101.106	2	OIL SEAL	PARE-HUILE	PARAOILIO	SIMMERRING	PARA-ACEITE	
22	900.100.148	2	BEARING	ROULEMENT	CUSCINETTO	KUGELLAGER	COJINETE	
23	900.100.136	2	BUSH	COQUILLE	BOCCOLA	BUCHSE	CASQUILLO	
24	900.251.344.1	2	CLAMPING	CHAPEAU	CAPPELLOTTO	KAPPE	CAPUCHON	
25	900.102.487	8	SCREW	VIS	VITE	SCHRAUBE	TORNILLO	
26	900.103.070	4	NUT	ECROU	DADO	MUTTER	TUERCA	
27	900.102.488	4	SCREW	VIS	VITE	SCHRAUBE	TORNILLO	
28	900.105.015	2	GREASE NIPPLE	GRAISSEUR	INGRASSATORE	SCHMIERNIPPEL	ENGRASADOR	
29	900.102.112	4	SCREW	VIS	VITE	SCHRAUBE	TORNILLO	
32	900.106.045	4	CIRCLIP	SERFLEX	SEEGER	SEEGER	SEEGER	
33	900.251.342	2	BAR	BARRE	BARRA	STANGE	BARRA	
34	900.251.333	4	BUSH	COQUILLE	BOCCOLA	BUCHSE	CASQUILLO	
35	900.106.009	4	CIRCLIP	SERFLEX	SEEGER	SEEGER	SEEGER	
36	900.251.334	1	HITCH	ATTELAGE	ATTACCO	ANBAU	ENGANCHE	
37	900.251.335	1	SUPPORT	SUPPORT	SUPPORTO	STUETZE	SOPORTE	
38	900.102.096	6	SCREW	VIS	VITE	SCHRAUBE	TORNILLO	
39	900.251.328	1	HITCH	ATTELAGE	ATTACCO	ANBAU	ENGANCHE	
40	900.102.380	1	SCREW	VIS	VITE	SCHRAUBE	TORNILLO	
41	900.104.048	5	WASHER	RONDELLE	RONDELLA	ZWISCHENSCHLEIBE	ARANDELA	
42	900.103.106	3	NUT	ECROU	DADO	MUTTER	TUERCA	

BT



FRAME – CHASSIS – TELAIO – RAHMEN – BASTIDOR

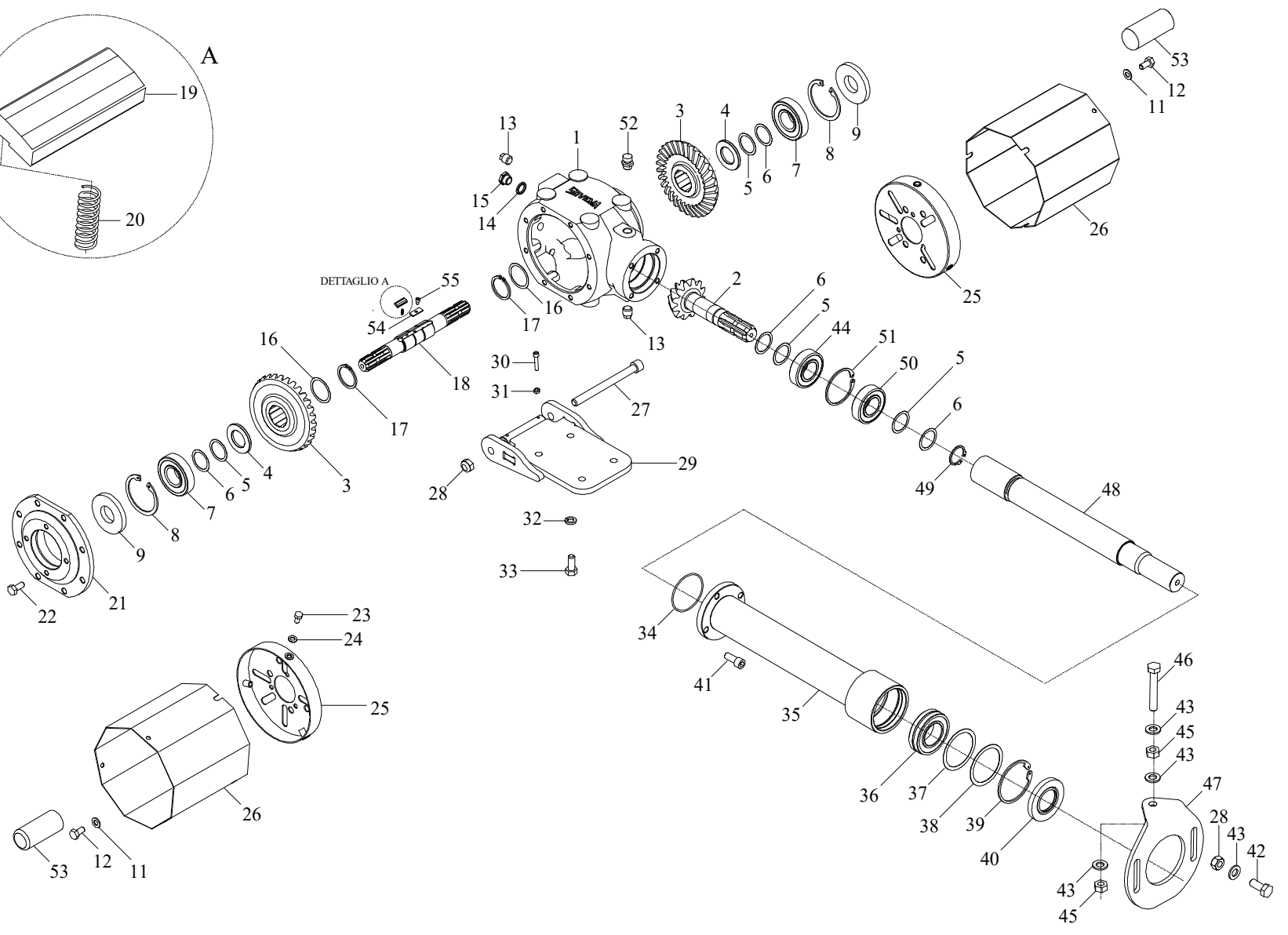
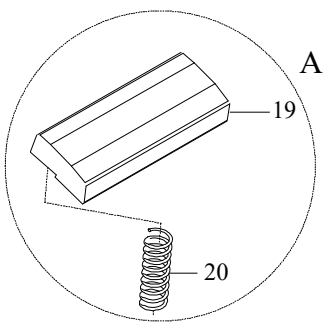
BT



REF	CODE	QTY	ENGLISH	FRANÇAIS	ITALIANO	DEUTSCH	ESPAÑOL	NOTE
43	900.116.028	1	PIN	TOURILLON	PERNO	STIFT	PERNO	
44	900.108.006	3	SPLIT	GOUPILLE	COPIGLIA	ARRETIERUNG	PASADOR	
45	900.116.033	2	PIN	TOURILLON	PERNO	STIFT	PERNO	
46	900.276.039	2	SUPPORT	SUPPORTO	SUPPORTO	STUETZE	SOPORTE	
47	900.211.132	2	PIN	TOURILLON	PERNO	STIFT	PERNO	
48	900.108.017	2	SPLIT	GOUPILLE	COPIGLIA	ARRETIERUNG	PASADOR	
49	900.251.358	2	WASHER	RONDELLE	RONDELLA	ZWISCHENSCHIEBE	ARANDELA	
50	900.117.105	1	PTO SHAFT SUPPORT	CARDAN SUPPORT	SOSTEGNO CARDANO	G.WELLE STUETZE	SOPORTE CARDANO	
51	900.117.106	1	HITCH SUPPORT	LIAISON SUPPORT	AGGANCIO SOSTEGNO	HANG. STUETZE	AGGANGLIO SOPORTE	
52	900.102.124	1	SCREW	VIS	VITE	SCHRAUBE	TORNILLO	
53	900.104.052	1	WASHER	RONDELLE	RONDELLA	ZWISCHENSCHIEBE	ARANDELA	
54	900.103.020	1	NUT	ECROU	DADO	MUTTER	TUERCA	
55	900.275.025	1	CYLINDER	VERIN	CILINDRO	ZYLINDER	CILINDRO	
56	900.102.500	2	SCREW	VIS	VITE	SCHRAUBE	TORNILLO	
57	900.104.039	2	WASHER	RONDELLE	RONDELLA	ZWISCHENSCHIEBE	ARANDELA	
58	900.237.108	2	NIPPLES	NIPPLES	NIPPLES	NIPPEL	NIPPLES	
59	900.276.079	2	PIPE	TUBE	TUBO	ROHR	TUBO	
60	900.104.033	2	WASHER	RONDELLE	RONDELLA	ZWISCHENSCHIEBE	ARANDELA	
61	900.237.174	2	JACK	EMBAYAGE	INNESTO	VERBINDEN	CONEXION	

FRAME – CHASSIS – TELAIO – RAHMEN – BASTIDOR

GEARBOX - BOITE DE VITESSE - GRUPPO - GETRIEBE - REDUCTOR

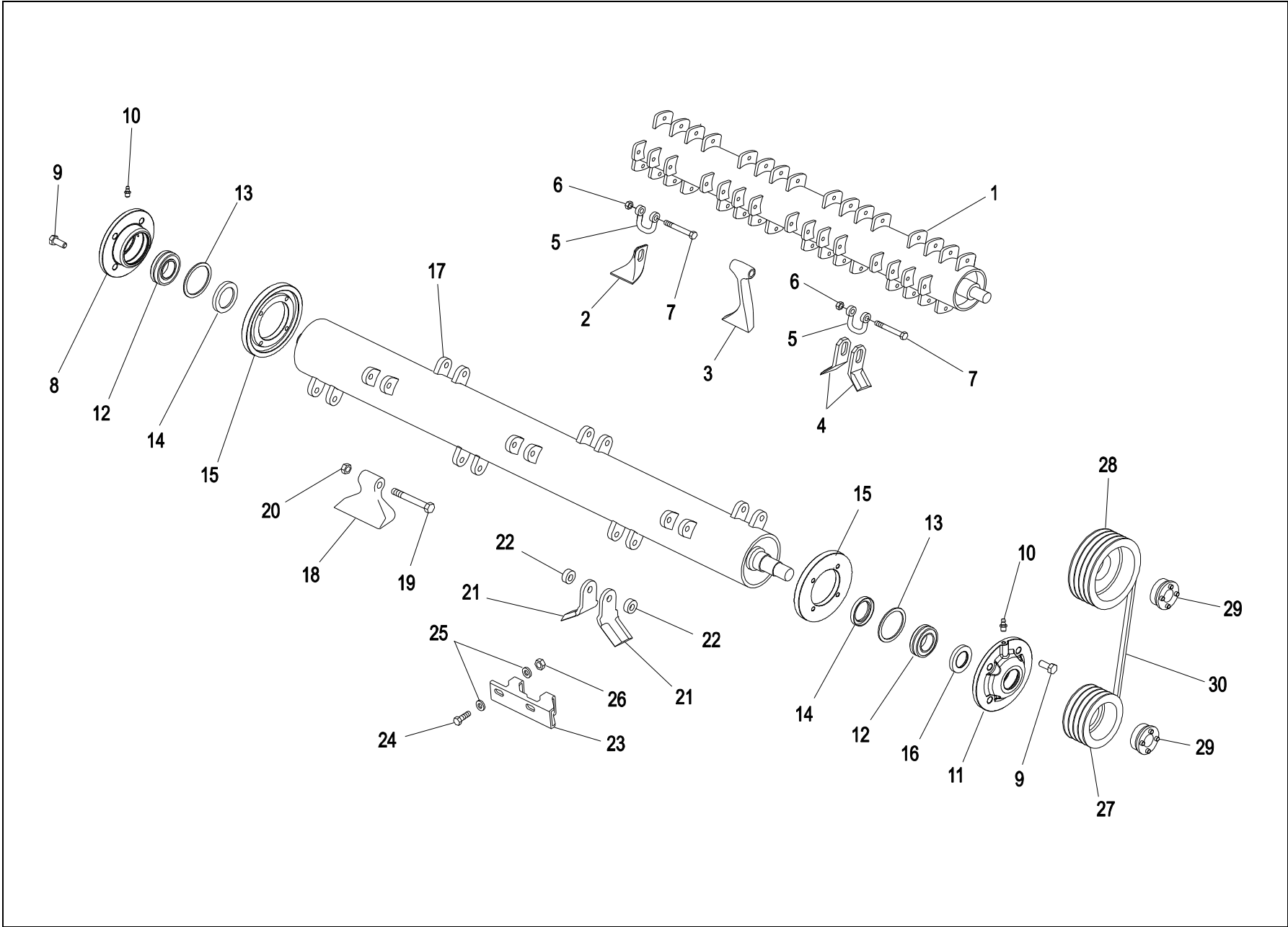


BT



REF	CODE	QTY	ENGLISH	FRANÇAIS	ITALIANO	DEUTSCH	ESPAÑOL	NOTE
1	900.161.025	1	CASE	BOITE	SCATOLA	KISTE	CAJA	
2	900.160.055	1	PINION	PIGNON	PIGNONE	RITZEL	PINON	
3	900.160.056	2	CROWN	COURONNE	CORONA	TELLERRAD	CORONA	
4	900.160.059	2	SPACER	ENTRETOISE	DISTANZIALE	ABSTANDSRING	DISTANCIADOR	
5	900.107.092	4	SHIM	EPAISSEUR	SPESSORE	STAERKE	ESPESOR	
6	900.107.036	8	SHIM	EPAISSEUR	SPESSORE	STAERKE	ESPESOR	
7	900.100.036	2	BEARING	ROULEMENT	CUSCINETTO	KUGELLAGER	COJINETE	
8	900.106.011	2	CIRCLIP	SERFLEX	SEEGER	SEEGER	SEEGER	
9	900.101.028	2	OIL SEAL	PARE-HUILE	PARAOLIO	SIMMERRING	PARA-ACEITE	
11	900.104.045	4	WASHER	RONDELLE	RONDELLA	ZWISCHENSCHLEIBE	ARANDELA	
12	900.102.101	4	SCREW	VIS	VITE	SCHRAUBE	TORNILLO	
13	900.102.079	4	PLUG	BOUCHON	TAPPO	DECKEL	TAPON	
14	900.104.085	1	WASHER	RONDELLE	RONDELLA	ZWISCHENSCHLEIBE	ARANDELA	
15	900.102.110	1	PLUG	BOUCHON	TAPPO	DECKEL	TAPON	
16	900.107.089	4	SHIM	EPAISSEUR	SPESSORE	STAERKE	ESPESOR	
17	900.106.035	2	CIRCLIP	SERFLEX	SEEGER	SEEGER	SEEGER	
18	900.160.057.1	1	SHAFT	ARBRE	ALBERO	WELLE	EJE	
19	900.251.081.3	4	KEY	CLAVETTE	LINGUETTA	KEIL	CHAVETA	
20	900.251.087	8	SPRING	RESSORT	MOLLA	FEDER	MUELLE	
21	900.161.026	1	LID	COUVERCLE	COPERCHIO	DECKEL	TAPA	
22	900.102.011	8	SCREW	VIS	VITE	SCHRAUBE	TORNILLO	
23	900.102.256	6	SCREW	VIS	VITE	SCHRAUBE	TORNILLO	
24	900.104.052	6	WASHER	RONDELLE	RONDELLA	ZWISCHENSCHLEIBE	ARANDELA	
25	900.117.070	2	PROT. HOLDER	DISQUE	FONDELLO	ZWSCHUTZHALTER	DISCO	
26	900.117.072.2	2	GUARD	PROTECTION	PROTEZIONE	SCHUTZ	PROTECCION	
27	900.102.501	1	SCREW	VIS	VITE	SCHRAUBE	TORNILLO	
28	900.103.021	3	NUT	ECROU	DADO	MUTTER	TUERCA	
29	900.251.326.1	1	SUPPORT	SUPPORT	SUPPORTO	STUETZE	SOPORTE	
30	900.102.504	2	SCREW	VIS	VITE	SCHRAUBE	TORNILLO	
31	900.103.025	2	NUT	ECROU	DADO	MUTTER	TUERCA	
32	900.104.105	4	WASHER	RONDELLE	RONDELLA	ZWISCHENSCHLEIBE	ARANDELA	
33	900.102.098	4	SCREW	VIS	VITE	SCHRAUBE	TORNILLO	
34	900.237.304	1	OR GASKET	JOINT OR	GUARNIZIONE OR	DICHTUNG OR	JUNTA OR	
35	900.119.100	1	TUBE	TUBE	CANNOTTO	ROHR	TUBO	180, 200
35	900.119.101	1	TUBE	TUBE	CANNOTTO	ROHR	TUBO	230
36	900.100.147	1	BEARING	ROULEMENT	CUSCINETTO	KUGELLAGER	COJINETE	
37	900.107.081	2	SHIM	EPAISSEUR	SPESSORE	STAERKE	ESPESOR	
38	900.107.049	1	SHIM	EPAISSEUR	SPESSORE	STAERKE	ESPESOR	
39	900.106.014	1	CIRCLIP	SERFLEX	SEEGER	SEEGER	SEEGER	
40	900.101.057	1	OIL SEAL	PARE-HUILE	PARAOLIO	SIMMERRING	PARA-ACEITE	
41	900.102.005	4	SCREW	VIS	VITE	SCHRAUBE	TORNILLO	
42	900.102.188	2	SCREW	VIS	VITE	SCHRAUBE	TORNILLO	
43	900.104.044	5	WASHER	RONDELLE	RONDELLA	ZWISCHENSCHLEIBE	ARANDELA	
44	900.100.037	1	BEARING	ROULEMENT	CUSCINETTO	KUGELLAGER	COJINETE	
45	900.103.051	2	NUT	ECROU	DADO	MUTTER	TUERCA	
46	900.102.286	1	SCREW	VIS	VITE	SCHRAUBE	TORNILLO	
47	900.238.358.1	1	SUPPORT	SUPPORT	SUPPORTO	STUETZE	SOPORTE	
48	900.118.116	1	SHAFT	ARBRE	ALBERO	WELLE	EJE	180, 200
48	900.118.117	1	SHAFT	ARBRE	ALBERO	WELLE	EJE	230
49	900.106.036	1	CIRCLIP	SERFLEX	SEEGER	SEEGER	SEEGER	
50	900.100.020	1	BEARING	ROULEMENT	CUSCINETTO	KUGELLAGER	COJINETE	
51	900.106.012	2	CIRCLIP	SERFLEX	SEEGER	SEEGER	SEEGER	
52	900.102.323	1	PLUG	BOUCHON	TAPPO	DECKEL	TAPON	
53	900.109.008	2	GUARD	PROTECTION	PROTEZIONE	SCHUTZ	PROTECCION	
54	900.160.080	2	SPACER	ENTRETOISE	DISTANZIALE	ABSTANDSRING	DISTANCIADOR	
55	900.102.509	2	SCREW	VIS	VITE	SCHRAUBE	TORNILLO	

ROTOR - ROTOR - ROTORE - ROTOR - ROTOR



BT

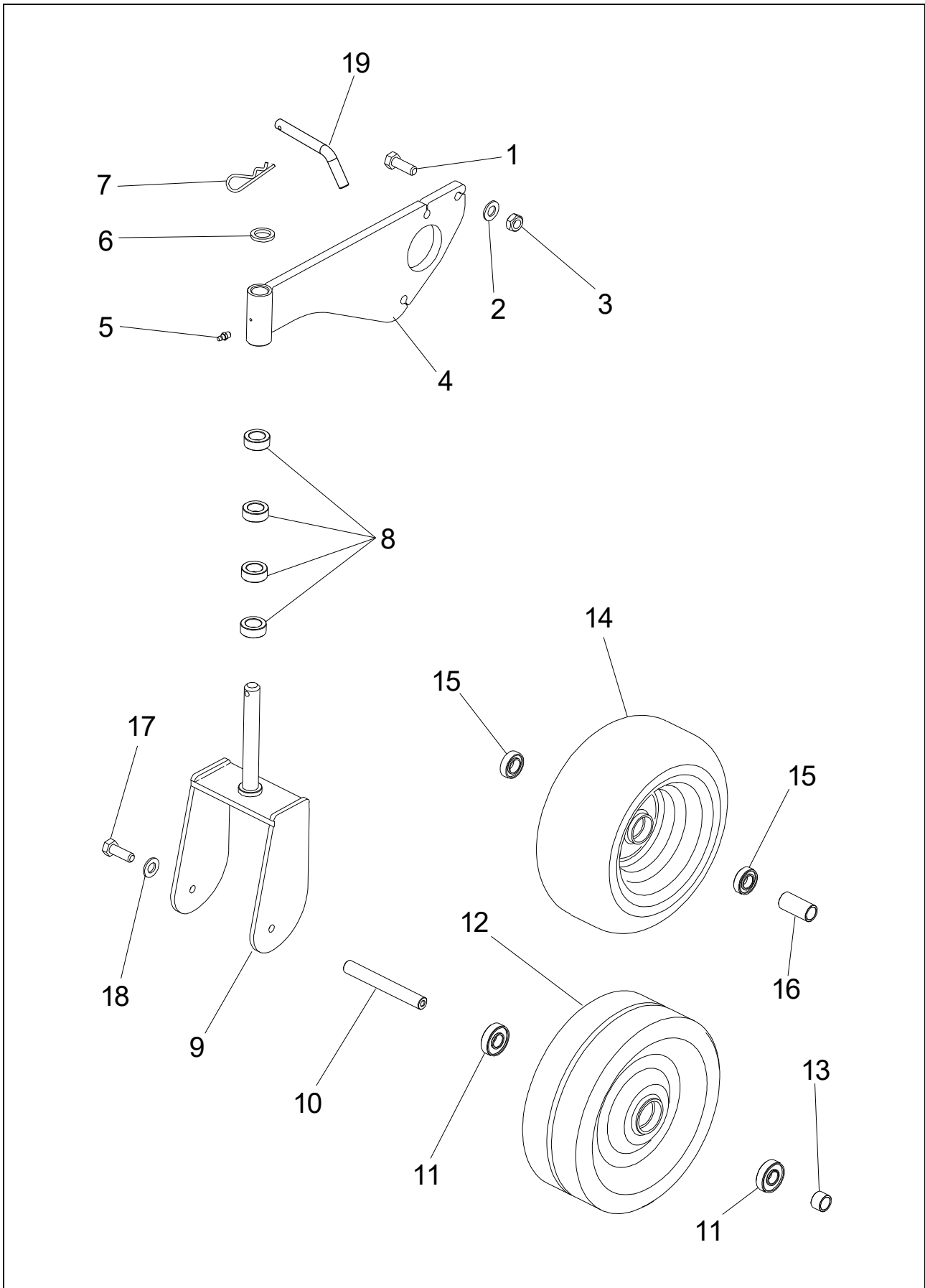


BT



REF	CODE	QTY	ENGLISH	FRAÇAIS	ITALIANO	DEUTSCH	ESPAÑOL	NOTE
1	900.251.306	1	ROTOR	ROTOR	ROTORE	ROTOR	ROTOR	180
1	900.251.307	1	ROTOR	ROTOR	ROTORE	ROTOR	ROTOR	200
1	900.251.308	1	ROTOR	ROTOR	ROTORE	ROTOR	ROTOR	230
2	900.234.050	28	KNIFE	COUTEAU	COLTELLO	MESSER	CUCHILLA	180
2	900.234.050	40	KNIFE	COUTEAU	COLTELLO	MESSER	CUCHILLA	200
2	900.234.050	48	KNIFE	COUTEAU	COLTELLO	MESSER	CUCHILLA	230
3	900.111.084	28	KNIFE	COUTEAU	COLTELLO	MESSER	CUCHILLA	180
3	900.111.084	40	KNIFE	COUTEAU	COLTELLO	MESSER	CUCHILLA	200
3	900.111.084	48	KNIFE	COUTEAU	COLTELLO	MESSER	CUCHILLA	230
4	900.240.060	56	KNIFE	COUTEAU	COLTELLO	MESSER	CUCHILLA	180
4	900.240.060	80	KNIFE	COUTEAU	COLTELLO	MESSER	CUCHILLA	200
4	900.240.060	96	KNIFE	COUTEAU	COLTELLO	MESSER	CUCHILLA	230
5	900.240.061	28	U-BOLT	MANILLE	CAVALLOTTO	U-BOLZEN	SOPORTE	180
5	900.240.061	40	U-BOLT	MANILLE	CAVALLOTTO	U-BOLZEN	SOPORTE	200
5	900.240.061	48	U-BOLT	MANILLE	CAVALLOTTO	U-BOLZEN	SOPORTE	230
6	900.103.019	28	NUT	ECROU	DADO	MUTTER	TUERCA	180
6	900.103.019	40	NUT	ECROU	DADO	MUTTER	TUERCA	200
6	900.103.019	48	NUT	ECROU	DADO	MUTTER	TUERCA	230
7	900.102.378	28	SCREW	VIS	VITE	SCHRAUBE	TORNILLO	180
7	900.102.378	40	SCREW	VIS	VITE	SCHRAUBE	TORNILLO	200
7	900.102.378	48	SCREW	VIS	VITE	SCHRAUBE	TORNILLO	230
8	900.251.320.1	1	SUPPORT	SUPPORTO	SUPPORTO	STUETZE	SOPORTE	
9	900.102.045	8	SCREW	VIS	VITE	SCHRAUBE	TORNILLO	
10	900.105.015	2	GREASE NIPPLE	GRAISSEUR	INGRASSATORE	SCHMIERNIPPEL	ENGRASADOR	
11	900.251.321.1	1	SUPPORT	SUPPORTO	SUPPORTO	STUETZE	SOPORTE	
12	900.100.147	2	BEARING	ROULEMENT	CUSCINETTO	KUGELLAGER	COJINETE	
13	900.251.324.1	2	SHIM	EPAISSEUR	SPESSORE	STAERKE	ESPESOR	
14	900.101.034	2	OIL SEAL	PARE-HUILE	PARAOLIO	SIMMERRING	PARA-ACEITE	
15	900.271.009.1	2	COUNTER-FLANGE	CONTRE-FLASQUE	CONTROFLANGIA	GEGENFLANSCH	CONTRA-BRIDA	
16	900.101.049	1	OIL SEAL	PARE-HUILE	PARAOLIO	SIMMERRING	PARA-ACEITE	
17	900.251.300	1	ROTOR	ROTOR	ROTORE	ROTOR	ROTOR	180
17	900.251.301	1	ROTOR	ROTOR	ROTORE	ROTOR	ROTOR	200
17	900.251.302	1	ROTOR	ROTOR	ROTORE	ROTOR	ROTOR	230
18	900.239.085	16	HAMMER KNIFE	MASSE MOULE	MAZZA	HAMMER	MARTILLO	180
18	900.239.085	20	HAMMER KNIFE	MASSE MOULE	MAZZA	HAMMER	MARTILLO	200
18	900.239.085	24	HAMMER KNIFE	MASSE MOULE	MAZZA	HAMMER	MARTILLO	230
19	900.102.117	16	SCREW	VIS	VITE	SCHRAUBE	TORNILLO	180
19	900.102.117	20	SCREW	VIS	VITE	SCHRAUBE	TORNILLO	200
19	900.102.117	24	SCREW	VIS	VITE	SCHRAUBE	TORNILLO	230
20	900.103.023	16	NUT	ECROU	DADO	MUTTER	TUERCA	180
20	900.103.023	20	NUT	ECROU	DADO	MUTTER	TUERCA	200
20	900.103.023	24	NUT	ECROU	DADO	MUTTER	TUERCA	230
21	900.239.091	32	KNIFE	COUTEAU	COLTELLO	MESSER	CUCHILLA	180
21	900.239.091	40	KNIFE	COUTEAU	COLTELLO	MESSER	CUCHILLA	200
21	900.239.091	48	KNIFE	COUTEAU	COLTELLO	MESSER	CUCHILLA	230
22	900.240.087	32	SPACER	ENTRETOISE	DISTANZIALE	ABSTANDSRING	DISTANCIADOR	180
22	900.240.087	40	SPACER	ENTRETOISE	DISTANZIALE	ABSTANDSRING	DISTANCIADOR	200
22	900.240.087	48	SPACER	ENTRETOISE	DISTANZIALE	ABSTANDSRING	DISTANCIADOR	230
23	900.238.185.1	8	STATIC KNIFE	CONTRE COUT.	CONTROCOLTELLO	GEGENMESSER	CONTRACUCH.	180
23	900.238.184.1	10	STATIC KNIFE	CONTRE COUT.	CONTROCOLTELLO	GEGENMESSER	CONTRACUCH.	200
23	900.238.184.1	12	STATIC KNIFE	CONTRE COUT.	CONTROCOLTELLO	GEGENMESSER	CONTRACUCH.	230
24	900.102.019	16	SCREW	VIS	VITE	SCHRAUBE	TORNILLO	180
24	900.102.019	20	SCREW	VIS	VITE	SCHRAUBE	TORNILLO	200
24	900.102.019	24	SCREW	VIS	VITE	SCHRAUBE	TORNILLO	230
25	900.104.010	32	WASHER	RONDELLE	RONDELLA	ZWISCHENSCHLEIBE	ARANDELA	180
25	900.104.010	40	WASHER	RONDELLE	RONDELLA	ZWISCHENSCHLEIBE	ARANDELA	200
25	900.104.010	48	WASHER	RONDELLE	RONDELLA	ZWISCHENSCHLEIBE	ARANDELA	230
26	900.103.019	16	NUT	ECROU	DADO	MUTTER	TUERCA	180
26	900.103.019	20	NUT	ECROU	DADO	MUTTER	TUERCA	200
26	900.103.019	24	NUT	ECROU	DADO	MUTTER	TUERCA	230
27	900.270.008	1	PULLEY	POULIE	PULEGGIA	REIMENSCH.	POLEA	
28	900.270.009	1	PULLEY	POULIE	PULEGGIA	REIMENSCH.	POLEA	
29	900.269.004	2	CLAMPING	BLOCAGE	CALETTATORE	KLEMMHU.	ENSAMBL.	
30	900.239.035	4	BELT	COURROIE	CINGHIA	RIEMEN	CINTA	

ROTOR – ROTOR – ROTORE – ROTOR - ROTOR



BT



REF	CODE	QTY	ENGLISH	FRANÇAIS	ITALIANO	DEUTSCH	ESPAÑOL	NOTE
1	900.102.281	6	SCREW	VIS	VITE	SCHRAUBE	TORNILLO	
2	900.104.043	6	WASHER	RONDELLE	RONDELLA	ZWISCHENSCHIEBE	ARANDELA	
3	900.103.023	6	NUT	ECROU	DADO	MUTTER	TUERCA	
4	900.251.337.1	2	SUPPORT	SUPPORT	SUPPORTO	STUETZE	SOPORTE	
5	900.105.015	2	GREASE NIPPLE	GRAISSEUR	INGRASSATORE	SCHMIERNIPPEL	ENGRASADOR	
6	900.251.360	4	WASHER	RONDELLE	RONDELLA	ZWISCHENSCHIEBE	ARANDELA	
7	900.108.005	2	SPLIT	GOUPILLE	COPIGLIA	ARRETIERUNG	PASADOR	
8	900.251.359	10	SPACER	ENTRETOISE	DISTANZIALE	ABSTANDSRING	DISTANCIADOR	
9	900.251.336.1	2	FORK	FOURCHETTE	FORCELLA	GABEL	HORQUILLA	
10	900.251.340	2	PIN	TOURILLON	PERNO	STIFT	PERNO	
11	900.100.149	4	BEARING	ROULEMENT	CUSCINETTO	KUGELLAGER	COJINETE	
12	900.152.016	2	WHEEL	ROUE	RUOTA	RAD	RUEDA	
13	900.251.339	4	SPACER	ENTRETOISE	DISTANZIALE	ABSTANDSRING	DISTANCIADOR	
14	900.152.015	2	WHEEL	ROUE	RUOTA	RAD	RUEDA	
15	900.100.043	4	BEARING	ROULEMENT	CUSCINETTO	KUGELLAGER	COJINETE	
16	900.251.338	4	SPACER	ENTRETOISE	DISTANZIALE	ABSTANDSRING	DISTANCIADOR	
17	900.102.188	4	SCREW	VIS	VITE	SCHRAUBE	TORNILLO	
18	900.104.044	4	WASHER	RONDELLE	RONDELLA	ZWISCHENSCHIEBE	ARANDELA	
19	900.207.008	2	PIN	TOURILLON	PERNO	STIFT	PERNO	

ACCESSORIES – ACCESSOIRES – ACCESSORI – BEIWERKE - ACCESORIOS