

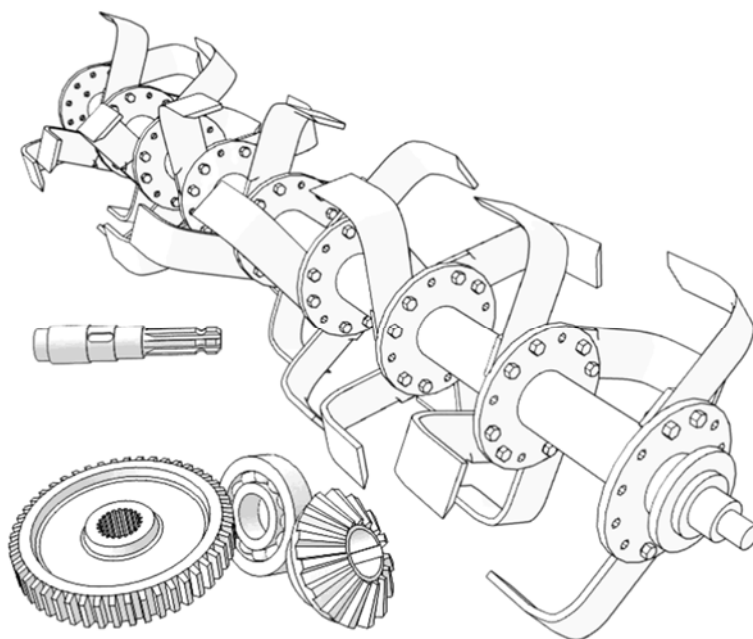


*SPARE PARTS CATALOGUE  
CATALOGUE DE PIÈCES DÉTACHÉES  
CATALOGO RICAMBI  
ERSATZKATALOG  
CATÁLOGO DE REPUESTOS*

---

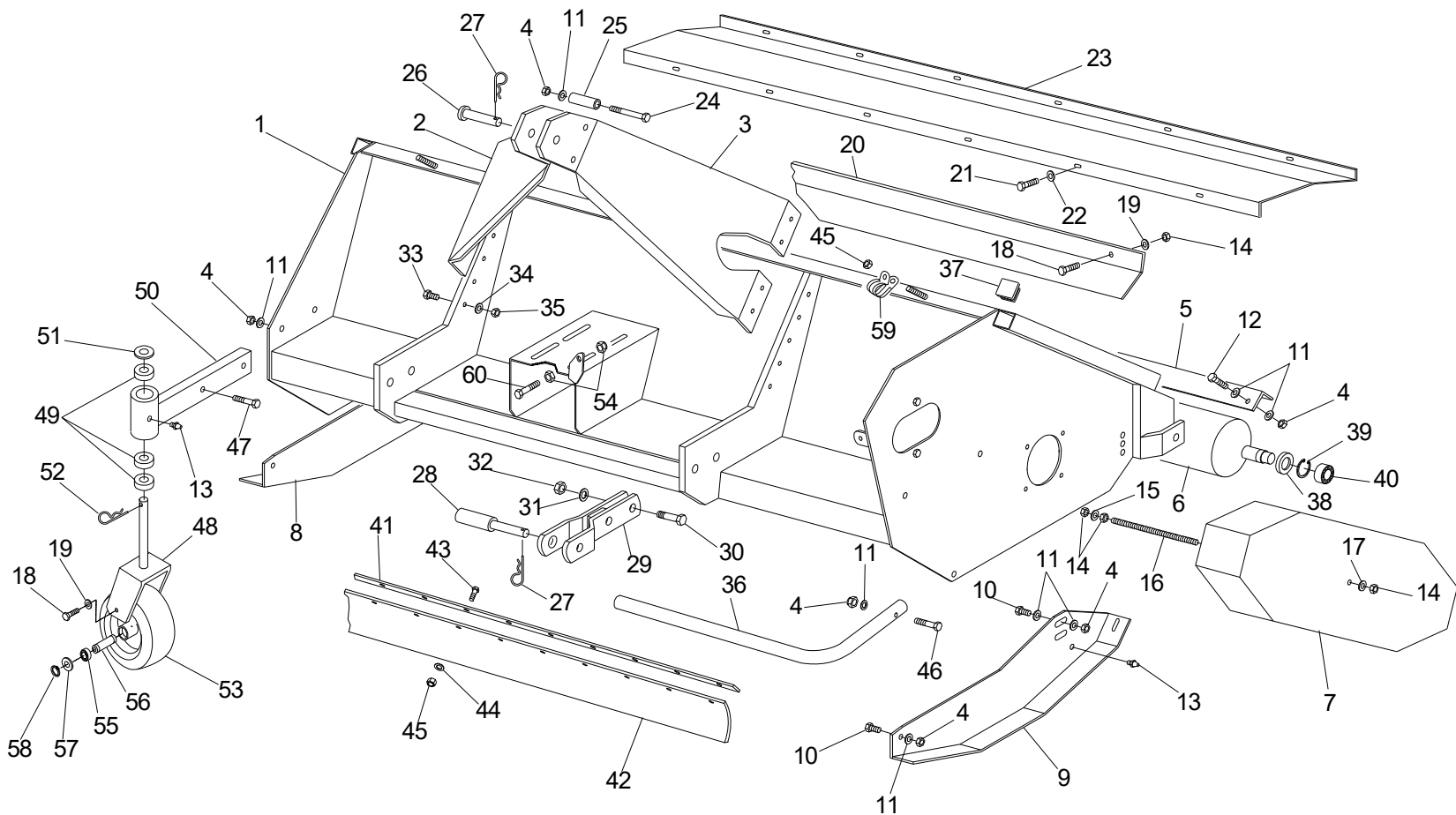
# TRIS-H

---



Rev. 2021

FRAME - CHASSIS - TELAIO - RAHMEN - BASTIDOR

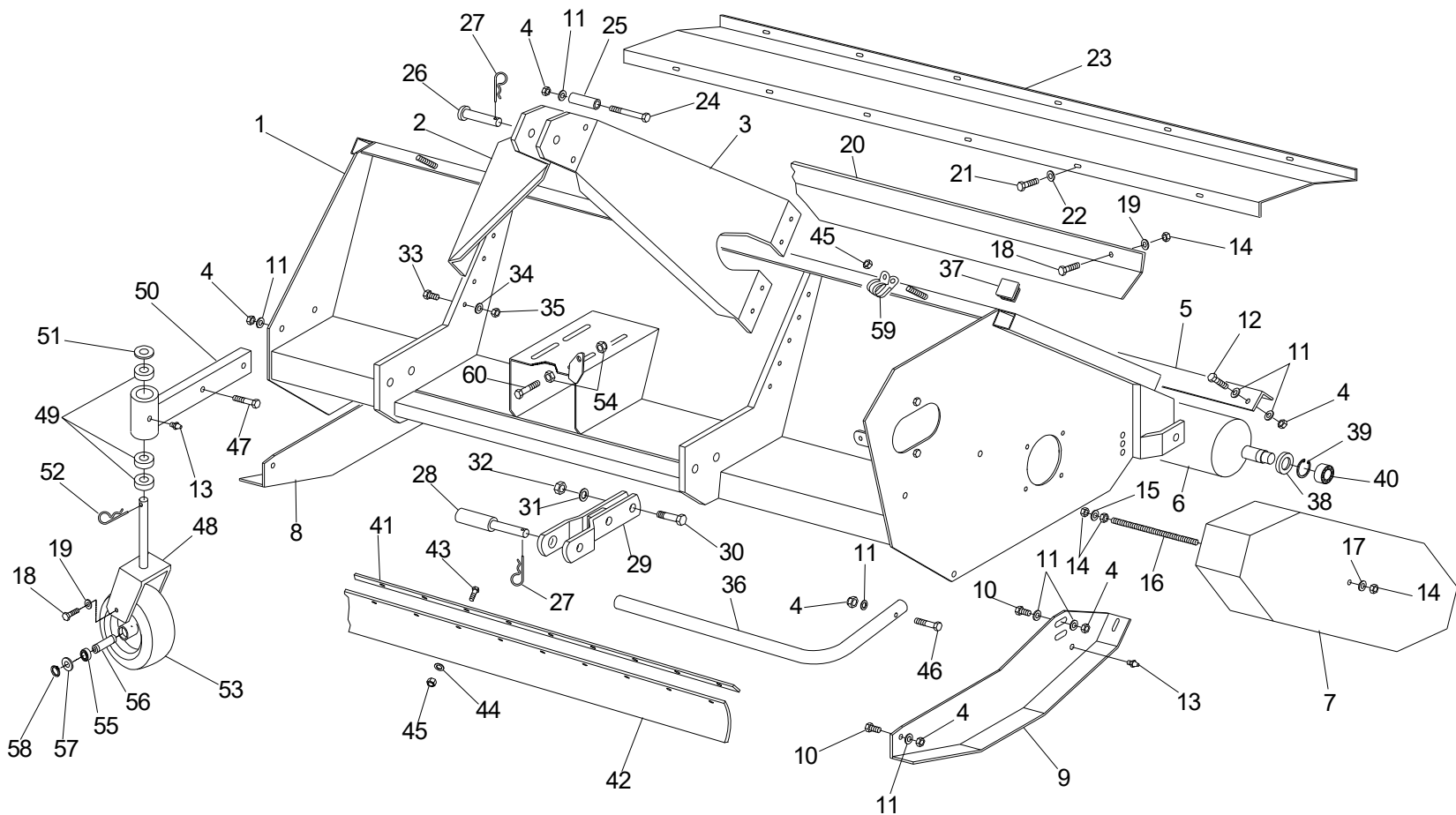


TRIS-H



REF	CODE	QTY	ENGLISH	FRANÇAIS	ITALIANO	DEUTSCH	ESPAÑOL	NOTE
1	900.234.130	1	FRAME	CHASSIS	TELAIO	RAHMEN	BASTIDOR	120
1	900.234.131	1	FRAME	CHASSIS	TELAIO	RAHMEN	BASTIDOR	150
1	900.234.132	1	FRAME	CHASSIS	TELAIO	RAHMEN	BASTIDOR	180
2	900.234.025	1	SIDE	FLANC	FIANCO	SEITE	FLANCO	
3	900.234.026	1	SIDE	FLANC	FIANCO	SEITE	FLANCO	
4	900.103.019	12	NUT	ECROU	DADO	MUTTER	TUERCA	
5	900.234.063.0	1	SCRAPER	RACLEUR	RASCHIARULLO	WALZENSCHABER	RASCARODILLO	120
5	900.234.064.0	1	SCRAPER	RACLEUR	RASCHIARULLO	WALZENSCHABER	RASCARODILLO	150
5	900.234.065.0	1	SCRAPER	RACLEUR	RASCHIARULLO	WALZENSCHABER	RASCARODILLO	180
6	900.234.060.1	1	ROLLER	ROULEAU	RULLO	WALZE	RODILLO	120
6	900.234.061.1	1	ROLLER	ROULEAU	RULLO	WALZE	RODILLO	150
6	900.234.062.1	1	ROLLER	ROULEAU	RULLO	WALZE	RODILLO	180
7	900.234.023	1	COVER	CARTER	CARTER	GEHAEUSE	CARTER	
8	900.234.058.0	1	SKID	PATIN	SLITTA	KUFE	CORREDERA	
9	900.234.059.0	1	SKID	PATIN	SLITTA	KUFE	CORREDERA	
10	900.102.098	4	SCREW	VIS	VITE	SCHRAUBE	TORNILLO	
11	900.104.046	16	WASHER	RONDELLE	RONDELLA	ZWISCHENSCHIEBE	ARANDELA	
12	900.102.102	2	SCREW	VIS	VITE	SCHRAUBE	TORNILLO	
13	900.105.007	4	GREASE NIPPLE	GRAISSEUR	INGRASSATORE	SCHMIERNIPPEL	ENGRASADOR	
14	900.103.018	7	NUT	ECROU	DADO	MUTTER	TUERCA	
15	900.104.083	1	WASHER	RONDELLE	RONDELLA	ZWISCHENSCHIEBE	ARANDELA	
16	900.234.104	1	THREADED BAR	BARRE FILETEE	BARRA FILETT.	GEWINDESTANGE	BARRA ACANAL.	
17	900.104.067	1	WASHER	RONDELLE	RONDELLA	ZWISCHENSCHIEBE	ARANDELA	
18	900.102.121	8	SCREW	VIS	VITE	SCHRAUBE	TORNILLO	
19	900.104.045	8	WASHER	RONDELLE	RONDELLA	ZWISCHENSCHIEBE	ARANDELA	
20	900.234.027.0	1	PLATE GUARD	TOLE PROT.	LAMIERA PROT.	SCHUTZBLECH	CHAPA PROT.	120
20	900.234.028.0	1	PLATE GUARD	TOLE PROT.	LAMIERA PROT.	SCHUTZBLECH	CHAPA PROT.	150
20	900.234.029.0	1	PLATE GUARD	TOLE PROT.	LAMIERA PROT.	SCHUTZBLECH	CHAPA PROT.	180
21	900.102.256	4	SCREW	VIS	VITE	SCHRAUBE	TORNILLO	
22	900.104.057	4	WASHER	RONDELLE	RONDELLA	ZWISCHENSCHIEBE	ARANDELA	
23	900.234.093.0	1	LID	COUVERCLE	COPERCHIO	DECKEL	TAPA	120
23	900.234.094.0	1	LID	COUVERCLE	COPERCHIO	DECKEL	TAPA	150
23	900.234.095.0	1	LID	COUVERCLE	COPERCHIO	DECKEL	TAPA	180
24	900.102.022	2	SCREW	VIS	VITE	SCHRAUBE	TORNILLO	
25	900.234.024	2	SPACER	ENTRETOISE	DISTANZIALE	ABSTANDSRING	DISTANCIADOR	
26	900.240.053	1	PIN	TOURILLON	PERNO	STIFT	PERNO	
27	900.108.006	3	SPLIT PIN	GOUPILLE	COPIGLIA	ARRETIERUNG	PASADOR	
28	900.116.033	2	PIN	TOURILLON	PERNO	STIFT	PERNO	
29	900.234.087	2	FLASK	MOULE	STAFFA	KLAUE	PLETINA	
30	900.102.483	4	SCREW	VIS	VITE	SCHRAUBE	TORNILLO	
31	900.104.113	4	WASHER	RONDELLE	RONDELLA	ZWISCHENSCHIEBE	ARANDELA	
32	900.103.017	4	NUT	ECROU	DADO	MUTTER	TUERCA	
33	900.102.028	9	SCREW	VIS	VITE	SCHRAUBE	TORNILLO	
34	900.104.021	9	WASHER	RONDELLE	RONDELLA	ZWISCHENSCHIEBE	ARANDELA	
35	900.103.021	9	NUT	ECROU	DADO	MUTTER	TUERCA	
36	900.117.020	1	GUARD	PROTECTION	PROTEZIONE	SCHUTZ	PROTECCION	120
36	900.117.021	1	GUARD	PROTECTION	PROTEZIONE	SCHUTZ	PROTECCION	150
36	900.117.022	1	GUARD	PROTECTION	PROTEZIONE	SCHUTZ	PROTECCION	180
37	900.109.010	4	PLUG	BOUCHON	TAPPO	DECKEL	TAPON	
38	900.101.075	2	OIL SEAL	PARE-HUILE	PARAOILIO	SIMMERRING	PARA-ACEITE	
39	900.106.031	2	CIRCLIP	SERFLEX	SEEGER	SEEGER	SEEGER	
40	900.100.043	2	BEARING	ROULEMENT	CUSCINETTO	KUGELLAGER	COJINETE	
41	900.117.094	1	ROD	TIGE	ASTA	STANGE	VARILLA	120
41	900.240.278	1	ROD	TIGE	ASTA	STANGE	VARILLA	150
41	900.234.098	1	ROD	TIGE	ASTA	STANGE	VARILLA	180
42	900.117.091	1	GUARD	PROTECTION	PROTEZIONE	SCHUTZ	PROTECCION	120
42	900.240.279	1	GUARD	PROTECTION	PROTEZIONE	SCHUTZ	PROTECCION	150
42	900.234.101	1	GUARD	PROTECTION	PROTEZIONE	SCHUTZ	PROTECCION	180
43	900.102.147	9	SCREW	VIS	VITE	SCHRAUBE	TORNILLO	120
43	900.102.147	15	SCREW	VIS	VITE	SCHRAUBE	TORNILLO	150
43	900.102.147	7	SCREW	VIS	VITE	SCHRAUBE	TORNILLO	180

FRAME - CHASSIS - TELAIO - RAHMEN - BASTIDOR



TRIS-H



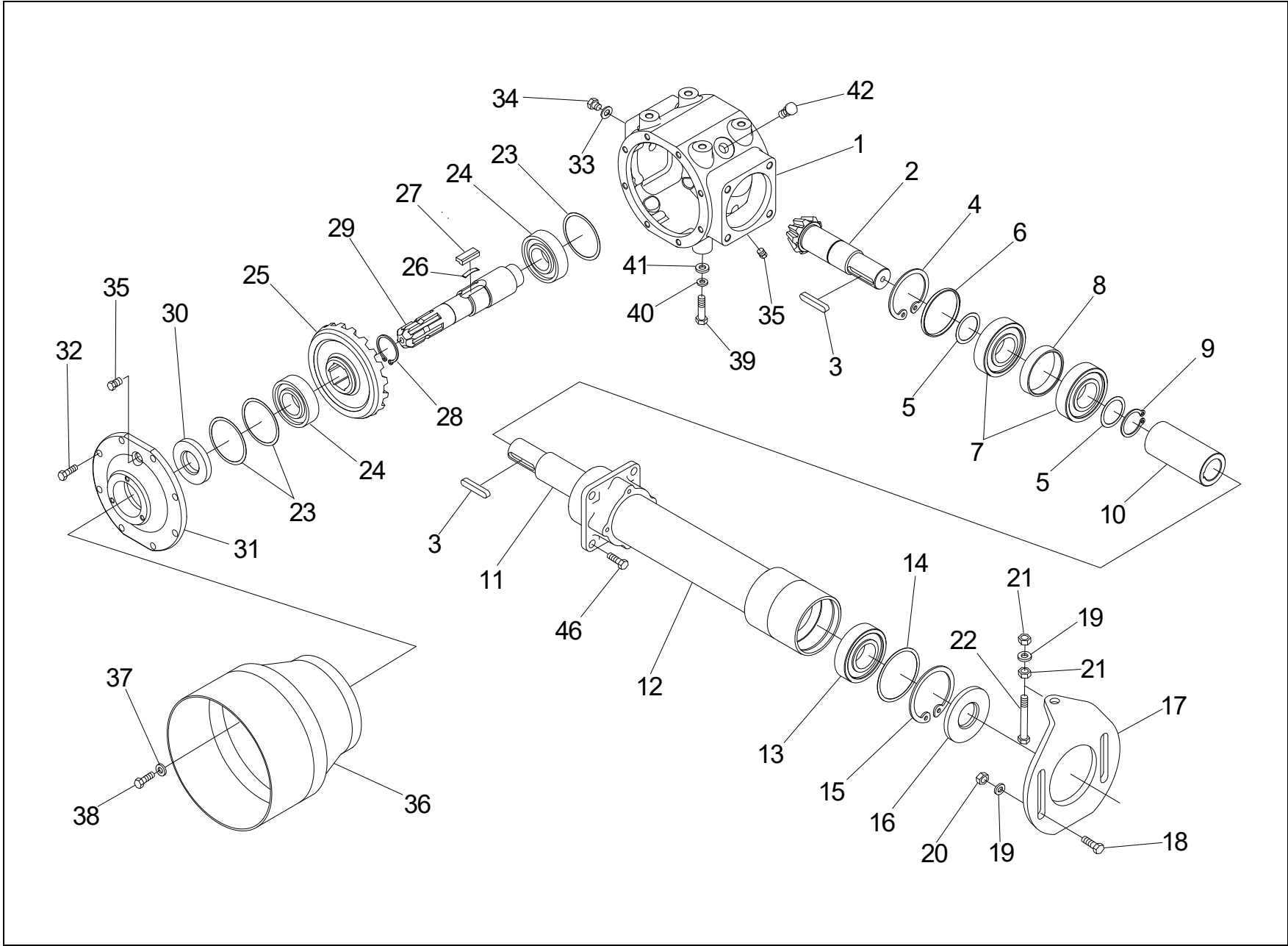
# TRIS-H



REF	CODE	QTY	ENGLISH	FRANÇAIS	ITALIANO	DEUTSCH	ESPAÑOL	NOTE
44	900.104.052	9	WASHER	RONDELLE	RONDELLA	ZWISCHENSCHIEBE	ARANDELA	120
44	900.104.052	15	WASHER	RONDELLE	RONDELLA	ZWISCHENSCHIEBE	ARANDELA	150
44	900.104.052	7	WASHER	RONDELLE	RONDELLA	ZWISCHENSCHIEBE	ARANDELA	180
45	900.103.020	9	NUT	ECROU	DADO	MUTTER	TUERCA	120
45	900.103.020	15	NUT	ECROU	DADO	MUTTER	TUERCA	150
45	900.103.020	7	NUT	ECROU	DADO	MUTTER	TUERCA	180
46	900.102.243	2	SCREW	VIS	VITE	SCHRAUBE	TORNILLO	
47	900.102.065	2	SCREW	VIS	VITE	SCHRAUBE	TORNILLO	
48	900.241.225	2	SUPPORT	SUPPORT	SUPPORTO	STUETZE	SOPORTE	
49	900.241.255	10	SPACER	ENTRETOISE	DISTANZIALE	ABSTANDSRING	DISTANCIADOR	
50	900.234.066.0	2	ARM	BRAS	BRACCIO	ARM	BRAZO	
51	900.104.053	2	WASHER	RONDELLE	RONDELLA	ZWISCHENSCHIEBE	ARANDELA	
52	900.108.017	2	SPLIT PIN	GOUPILLE	COPIGLIA	ARRETIERUNG	PASADOR	
53	900.241.226	2	WHEEL	ROUE	RUOTA	RAD	RUEDA	
54	900.103.035	1	NUT	ECROU	DADO	MUTTER	TUERCA	
55	900.100.043	4	BEARING	ROULEMENT	CUSCINETTO	KUGELLAGER	COJINETE	
56	900.241.227	2	PIN	TOURILLON	PERNO	STIFT	PERNO	
57	900.104.059	4	WASHER	RONDELLE	RONDELLA	ZWISCHENSCHIEBE	ARANDELA	
58	900.106.017	4	CIRCLIP	SERFLEX	SEEGER	SEEGER	SEEGER	
59	900.245.106	4	CLAMP	BORNE A VIS	MORSETTO	KLEMME	TERMINAL	
60	900.102.334	1	SCREW	VIS	VITE	SCHRAUBE	TORNILLO	
61	900.103.025	4	NUT	ECROU	DADO	MUTTER	TUERCA	

**FRAME – CHASSIS – TELAIO – RAHMEN – BASTIDOR**

GEARBOX - BOITE DE VITESSE - GRUPPO - GETRIEBE - REDUCTOR



TRIS-H



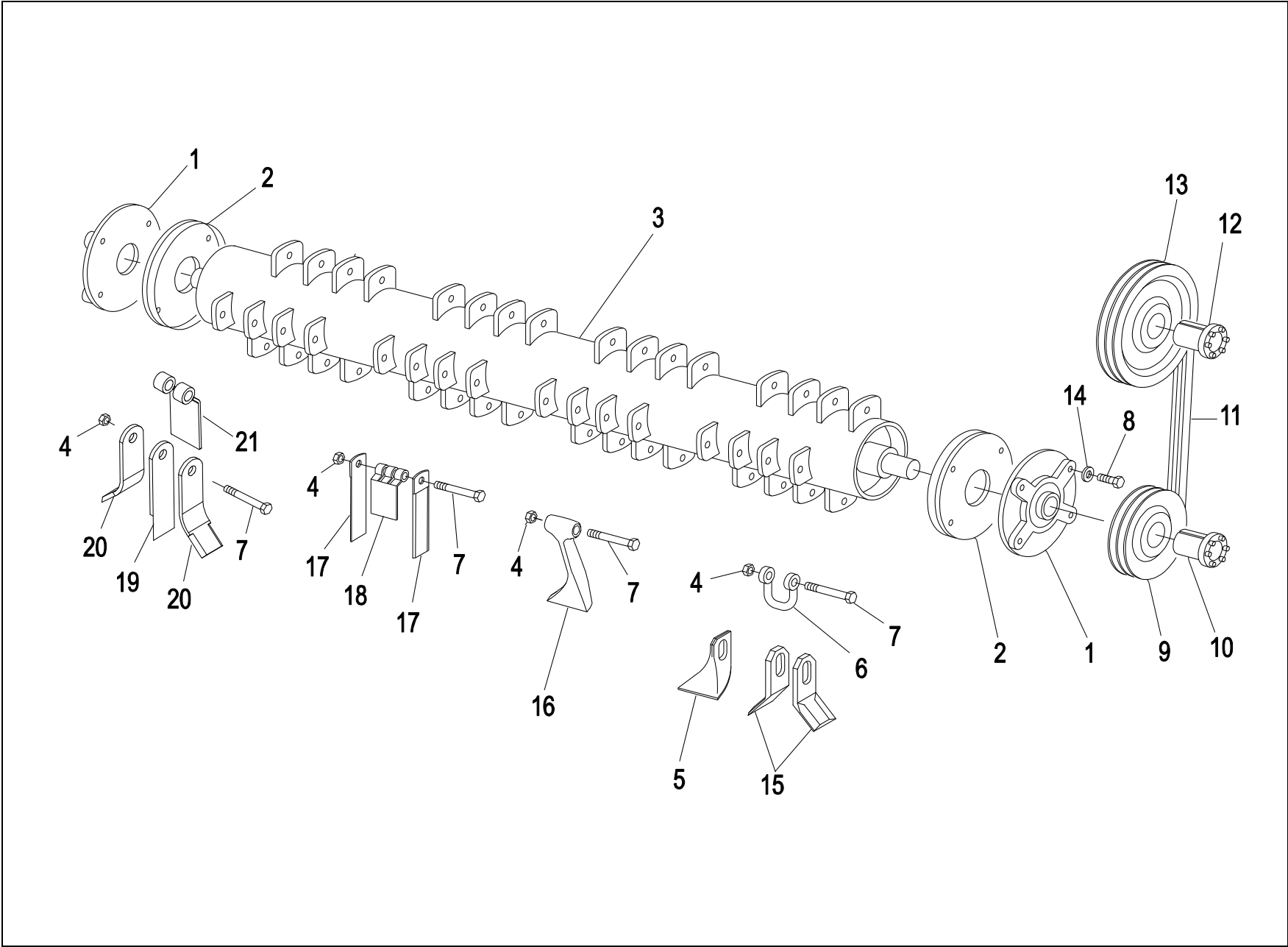
# TRIS-H



REF	CODE	QTY	ENGLISH	FRANÇAIS	ITALIANO	DEUTSCH	ESPAÑOL	NOTE
1	900.161.015	1	CASE	BOITE	SCATOLA	KISTE	CAJA	
2	900.160.021	1	PINION	PIGNON	PIGNONE	RITZEL	PINON	
3	900.105.012	2	KEY	CLAVETTE	LINGUETTA	KEIL	CHAVETA	
4	900.106.011	1	CIRCLIP	SERFLEX	SEEGER	SEEGER	SEEGER	
5	900.107.047	2	SHIM	EPAISSEUR REG.	SPESSORE REG.	STAERKE	ESPESOR REG.	
6	900.107.068	1	SPACER	ENTRETOISE	DISTANZIALE	ABSTANDSRING	DISTANCIADOR	
7	900.100.034	2	BEARING	ROULEMENT	CUSCINETTO	KUGELLAGER	COJINETE	
8	900.107.067	1	SPACER	ENTRETOISE	DISTANZIALE	ABSTANDSRING	DISTANCIADOR	
9	900.106.003	1	CIRCLIP	SERFLEX	SEEGER	SEEGER	SEEGER	
10	900.251.040	1	BUSH	COQUILLE	BOCCOLA	BUCHSE	CASQUILLO	
11	900.118.090	1	SHAFT	ARBRE	ALBERO	WELLE	EJE	120
11	900.118.093	1	SHAFT	ARBRE	ALBERO	WELLE	EJE	150
11	900.118.094	1	SHAFT	ARBRE	ALBERO	WELLE	EJE	180
12	900.119.085	1	TUBE	TUBE	CANNOTTO	ROHR	TUBO	120
12	900.119.088	1	TUBE	TUBE	CANNOTTO	ROHR	TUBO	150
12	900.119.089	1	TUBE	TUBE	CANNOTTO	ROHR	TUBO	180
13	900.100.016	1	BEARING	ROULEMENT	CUSCINETTO	KUGELLAGER	COJINETE	
14	900.107.010	1	SHIM	EPAISSEUR REG.	SPESSORE REG.	STAERKE	ESPESOR REG.	
15	900.106.005	1	CIRCLIP	SERFLEX	SEEGER	SEEGER	SEEGER	
16	900.101.076	1	OIL SEAL	PARE-HUILE	PARAOLIO	SIMMERRING	PARA-ACEITE	
17	900.238.358.1	1	BELT TIGHTENER	TENDCOURROIE	TENDICINGHIA	RIEMENPLATTE	TENDICINTA	
18	900.102.188	2	SCREW	VIS	VITE	SCHRAUBE	TORNILLO	
19	900.104.044	3	WASHER	RONDELLE	RONDELLA	ZWISCHENSCHIEBE	ARANDELA	
20	900.103.021	2	NUT	ECROU	DADO	MUTTER	TUERCA	
21	900.103.051	2	NUT	ECROU	DADO	MUTTER	TUERCA	
22	900.102.282	1	SCREW	VIS	VITE	SCHRAUBE	TORNILLO	
23	900.107.038	4	SHIM	EPAISSEUR REG.	SPESSORE REG.	STAERKE	ESPESOR REG.	
24	900.100.038	2	BEARING	ROULEMENT	CUSCINETTO	KUGELLAGER	COJINETE	
25	900.160.022	1	CROWN	COURONNE	CORONA	TELLERRAD	CORONA	
26	900.251.080	2	SPRING	RESSORT	MOLLA	FEDER	MUELLE	
27	900.251.081	2	KEY	CLAVETTE	LINGUETTA	KEIL	CHAVETA	
28	900.106.035	1	CIRCLIP	SERFLEX	SEEGER	SEEGER	SEEGER	
29	900.160.023	1	SHAFT	ARBRE	ALBERO	WELLE	EJE	
30	900.101.009.A	1	OIL SEAL	PARE-HUILE	PARAOLIO	SIMMERRING	PARA-ACEITE	
31	900.161.016	1	LID	COUVERCLE	COPERCHIO	DECKEL	TAPA	
32	900.102.011	8	SCREW	VIS	VITE	SCHRAUBE	TORNILLO	
33	900.104.085	1	WASHER	RONDELLE	RONDELLA	ZWISCHENSCHIEBE	ARANDELA	
34	900.102.110	1	PLUG	BOUCHON	TAPPO	DECKEL	TAPON	
35	900.102.079	2	PLUG	BOUCHON	TAPPO	DECKEL	TAPON	
36	900.238.129	1	GUARD	PROTECTION	PROTEZIONE	SCHUTZ	PROTECCION	
37	900.104.057	3	WASHER	RONDELLE	RONDELLA	ZWISCHENSCHIEBE	ARANDELA	
38	900.102.256	3	SCREW	VIS	VITE	SCHRAUBE	TORNILLO	
39	900.102.098	4	SCREW	VIS	VITE	SCHRAUBE	TORNILLO	
40	900.104.036	4	WASHER	RONDELLE	RONDELLA	ZWISCHENSCHIEBE	ARANDELA	
41	900.104.046	4	WASHER	RONDELLE	RONDELLA	ZWISCHENSCHIEBE	ARANDELA	
42	900.102.323	1	PLUG	BOUCHON	TAPPO	DECKEL	TAPON	
46	900.102.019	4	SCREW	VIS	VITE	SCHRAUBE	TORNILLO	

**GEARBOX – BOITE DE VITESSE – GRUPPO – GETRIEBE – REDUCTOR**

ROTOR - ROTOR - ROTORE - ROTOR - ROTOR



TRIS-H





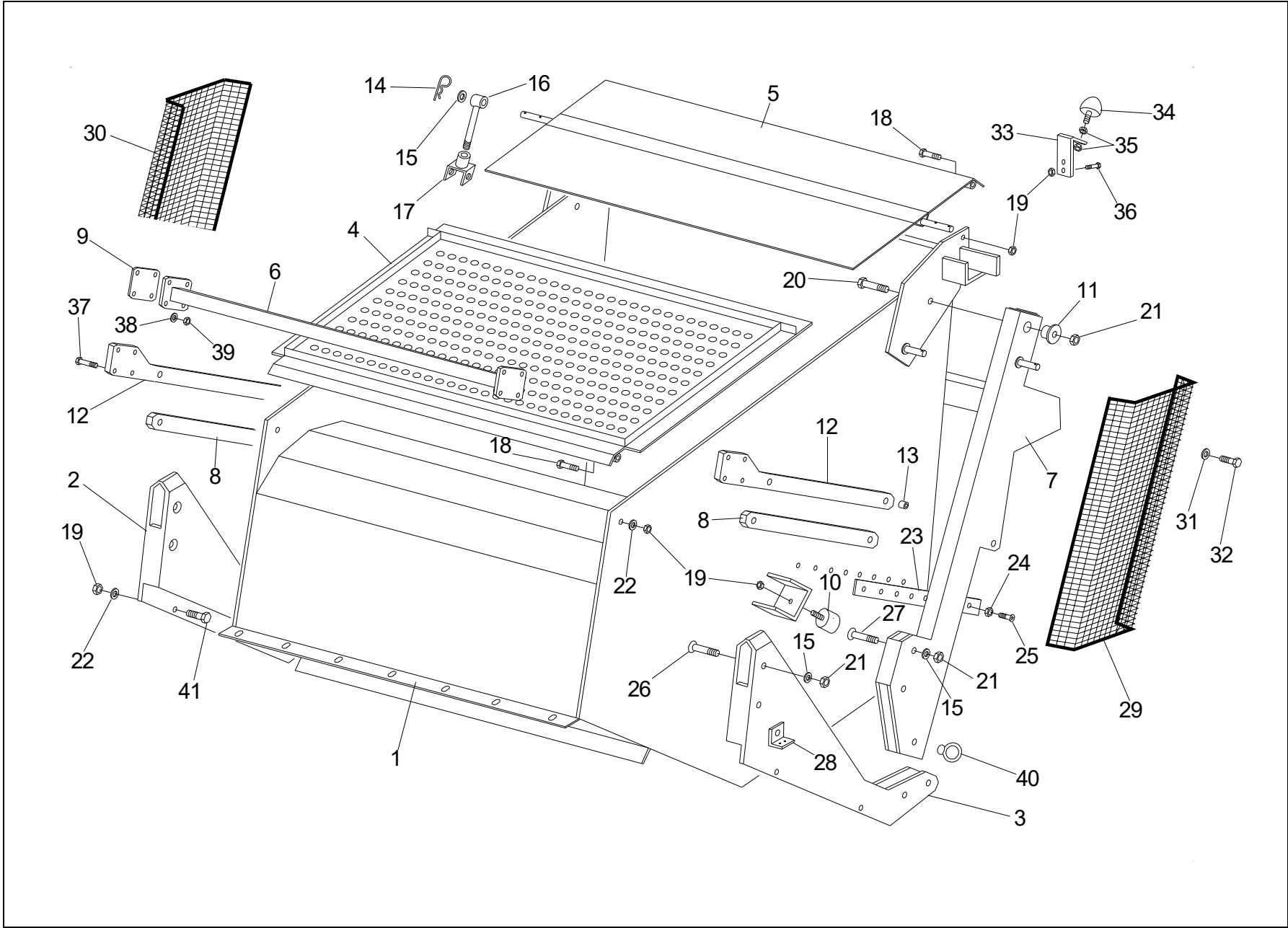
# TRIS-H



REF	CODE	QTY	ENGLISH	FRANÇAIS	ITALIANO	DEUTSCH	ESPAÑOL	NOTE
1	900.100.093	2	SUPPORT	SUPPORT	SUPPORTO	STUETZE	SOPORTE	
2	900.240.127	2	COUNTER-FLANGE	CONTRE-FLASQUE	CONTROFLANGIA	GEGENFLANSCH	CONTRA-BRIDA	
3	900.234.030	1	ROTOR	ROTOR	ROTORE	ROTOR	ROTOR	120
3	900.234.031	1	ROTOR	ROTOR	ROTORE	ROTOR	ROTOR	150
3	900.234.032	1	ROTOR	ROTOR	ROTORE	ROTOR	ROTOR	180
4	900.103.019	32	NUT	ECROU	DADO	MUTTER	TUERCA	120
4	900.103.019	40	NUT	ECROU	DADO	MUTTER	TUERCA	150
4	900.103.019	48	NUT	ECROU	DADO	MUTTER	TUERCA	180
5	900.234.050	32	KNIFE	COUTEAU	COLTELLO	MESSER	CUCHILLA	120
5	900.234.050	40	KNIFE	COUTEAU	COLTELLO	MESSER	CUCHILLA	150
5	900.234.050	48	KNIFE	COUTEAU	COLTELLO	MESSER	CUCHILLA	180
6	900.240.061	32	U-BOLT	MANILLE	CAVALLOTTO	U-BOLZEN	SOPORTE	120
6	900.240.061	40	U-BOLT	MANILLE	CAVALLOTTO	U-BOLZEN	SOPORTE	150
6	900.240.061	48	U-BOLT	MANILLE	CAVALLOTTO	U-BOLZEN	SOPORTE	180
7	900.102.378	32	SCREW	VIS	VITE	SCHRAUBE	TORNILLO	120
7	900.102.378	40	SCREW	VIS	VITE	SCHRAUBE	TORNILLO	150
7	900.102.378	48	SCREW	VIS	VITE	SCHRAUBE	TORNILLO	180
8	900.102.021	8	SCREW	VIS	VITE	SCHRAUBE	TORNILLO	
9	900.240.081	1	PULLEY	POULIE	PULEGGIA	REIMENSCHIEBE	POLEA	
10	900.240.131	1	CLAMPING	BLOCAGE	CALETTATORE	KLEMMHUELSE	ENSAMBLADOR	
11	900.268.001	2	BELT	COURROIE	CINGHIA	RIEMEN	CINTA	
12	900.238.091	1	CLAMPING	BLOCAGE	CALETTATORE	KLEMMHUELSE	ENSAMBLADOR	
13	900.270.002	1	PULLEY	POULIE	PULEGGIA	REIMENSCHIEBE	POLEA	
14	900.104.010	8	WASHER	RONDELLE	RONDELLA	ZWISCHENSCHIEBE	ARANDELA	
15	900.240.060	64	KNIFE	COUTEAU	COLTELLO	MESSER	CUCHILLA	120
15	900.240.060	80	KNIFE	COUTEAU	COLTELLO	MESSER	CUCHILLA	150
15	900.240.060	96	KNIFE	COUTEAU	COLTELLO	MESSER	CUCHILLA	180
16	900.111.084	32	HAMMER KNIFE	MASSE MOULE	MAZZA	HAMMER	MARTILLO	120
16	900.111.084	40	HAMMER KNIFE	MASSE MOULE	MAZZA	HAMMER	MARTILLO	150
16	900.111.084	48	HAMMER KNIFE	MASSE MOULE	MAZZA	HAMMER	MARTILLO	180
17	900.234.113	64	KNIFE	COUTEAU	COLTELLO	MESSER	CUCHILLA	120
17	900.234.113	80	KNIFE	COUTEAU	COLTELLO	MESSER	CUCHILLA	150
17	900.234.113	96	KNIFE	COUTEAU	COLTELLO	MESSER	CUCHILLA	180
18	900.234.052	32	FAN	PALE	VENTOLA	FLUGEL	TABIQUE	120
18	900.234.052	40	FAN	PALE	VENTOLA	FLUGEL	TABIQUE	150
18	900.234.052	48	FAN	PALE	VENTOLA	FLUGEL	TABIQUE	180
19	900.234.113	32	KNIFE	COUTEAU	COLTELLO	MESSER	CUCHILLA	120
19	900.234.113	40	KNIFE	COUTEAU	COLTELLO	MESSER	CUCHILLA	150
19	900.234.113	48	KNIFE	COUTEAU	COLTELLO	MESSER	CUCHILLA	180
20	900.234.112	64	KNIFE	COUTEAU	COLTELLO	MESSER	CUCHILLA	120
20	900.234.112	80	KNIFE	COUTEAU	COLTELLO	MESSER	CUCHILLA	150
20	900.234.112	96	KNIFE	COUTEAU	COLTELLO	MESSER	CUCHILLA	180
21	900.234.133	32	FAN	PALE	VENTOLA	FLUGEL	TABIQUE	120
21	900.234.133	40	FAN	PALE	VENTOLA	FLUGEL	TABIQUE	150
21	900.234.133	48	FAN	PALE	VENTOLA	FLUGEL	TABIQUE	180

**ROTOR – ROTOR – ROTORE – ROTOR - ROTOR**

MISC - PLUS - ALTRO - OTROS - VERSCH



TRIS-H

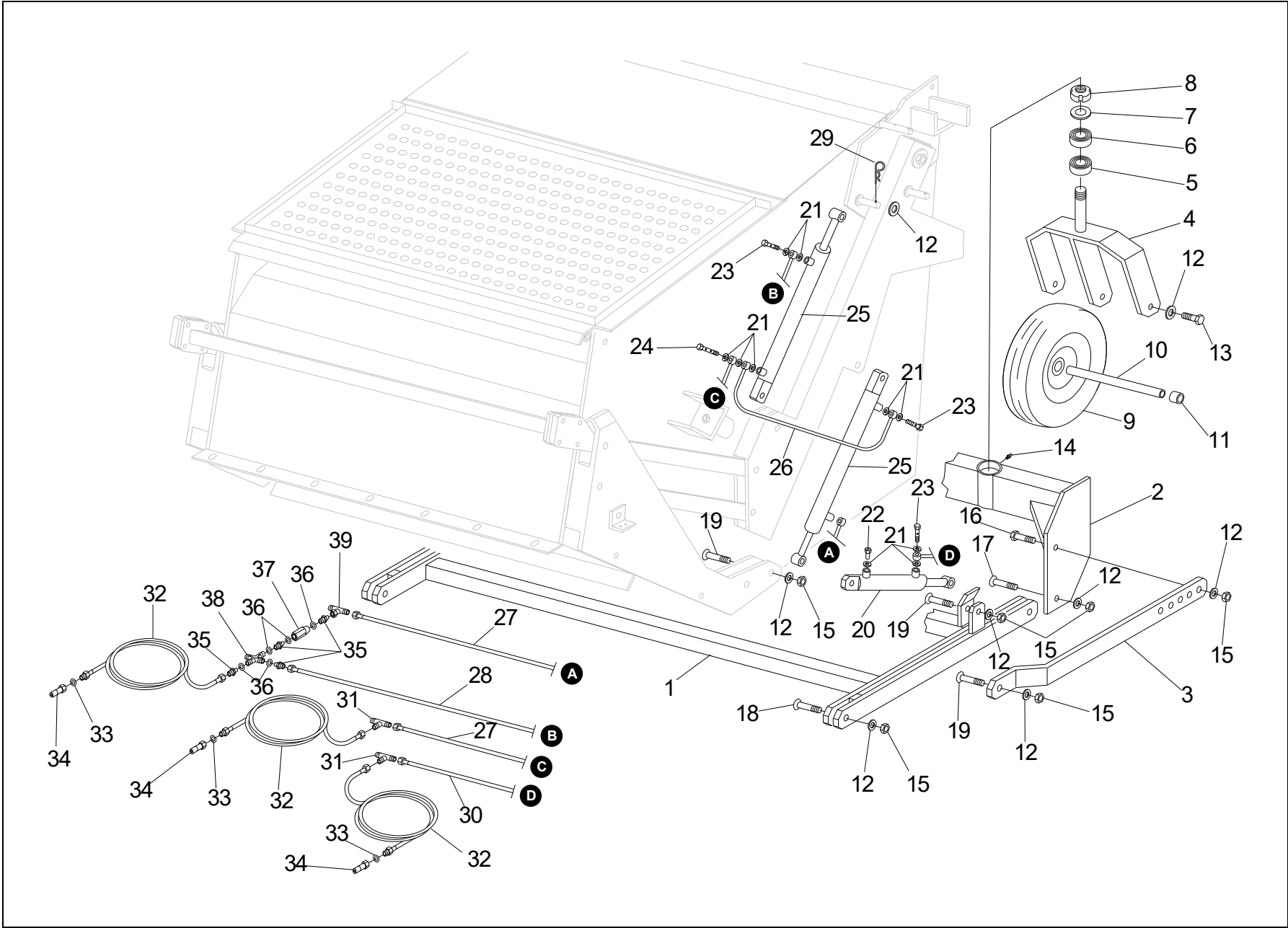


# TRIS-H



REF	CODE	QTY	ENGLISH	FRANÇAIS	ITALIANO	DEUTSCH	ESPAÑOL	NOTE
1	900.234.006.0	1	COLLECTOR	COLLECTEUR	CASSONE	KASTEN	RECOGEDOR	120
1	900.234.007.0	1	COLLECTOR	COLLECTEUR	CASSONE	KASTEN	RECOGEDOR	150
1	900.234.008.0	1	COLLECTOR	COLLECTEUR	CASSONE	KASTEN	RECOGEDOR	180
2	900.234.033	1	FLASK	MOULE	STAFFA	KLAUE	PLETINA	
3	900.234.034	1	FLASK	MOULE	STAFFA	KLAUE	PLETINA	
4	900.234.020	1	LID	COUVERCLE	COPERCHIO	DECKEL	TAPA	120
4	900.234.021	1	LID	COUVERCLE	COPERCHIO	DECKEL	TAPA	150
4	900.234.022	1	LID	COUVERCLE	COPERCHIO	DECKEL	TAPA	180
5	900.234.017.1	1	LID	COUVERCLE	COPERCHIO	DECKEL	TAPA	120
5	900.234.018.1	1	LID	COUVERCLE	COPERCHIO	DECKEL	TAPA	150
5	900.234.019.1	1	LID	COUVERCLE	COPERCHIO	DECKEL	TAPA	180
6	900.234.121	1	BAR	BARRE	BARRA	STANGE	BARRA	120
6	900.234.122	1	BAR	BARRE	BARRA	STANGE	BARRA	150
6	900.234.123	1	BAR	BARRE	BARRA	STANGE	BARRA	180
7	900.234.116	1	MAST	MONTANT	MONTANTE	MASTEN	MONTANTE	120
7	900.234.117	1	MAST	MONTANT	MONTANTE	MASTEN	MONTANTE	150
7	900.234.118	1	MAST	MONTANT	MONTANTE	MASTEN	MONTANTE	180
8	900.234.038.0	2	CONNECT. ROD	BIELLE	BIELLA	PLEUEL	BIELA	
9	900.234.120	2	SHIM	EPAISSER REG.	SPESSORE REG.	STAERKE	ESPESOR REG.	
10	900.234.078	2	SHOCK ABSORBER	AMORTISSEUR	AMMORTIZZATORE	STOSSDAEMPFER	AMORTIGUADOR	
11	900.234.039	2	BUSH	COQUILLE	BOCCOLA	BUCHSE	CASQUILLO	
12	900.234.108.0	2	CONNECT. ROD	BIELLE	BIELLA	PLEUEL	BIELA	
13	900.234.115	8	BUSH	COQUILLE	BOCCOLA	BUCHSE	CASQUILLO	
14	900.108.005	6	SPLIT PIN	GOUPILLE	COPIGLIA	ARRETIERUNG	PASADOR	
15	900.104.043	20	WASHER	RONDELLE	RONDELLA	ZWISCHENSCHIEBE	ARANDELA	
16	900.234.102	2	CONNECT. ROD	BIELLE	BIELLA	PLEUEL	BIELA	
17	900.103.116	2	FORK	FOURCHETTE	FORCELLA	GABEL	HORQUILLA	
18	900.102.171	4	SCREW	VIS	VITE	SCHRAUBE	TORNILLO	
19	900.103.018	12	NUT	ECROU	DADO	MUTTER	TUERCA	
20	900.102.213	2	SCREW	VIS	VITE	SCHRAUBE	TORNILLO	
21	900.103.023	14	NUT	ECROU	DADO	MUTTER	TUERCA	
22	900.104.045	6	WASHER	RONDELLE	RONDELLA	ZWISCHENSCHIEBE	ARANDELA	
23	900.234.088	2	PLATE	PLAT	PIATTO	PLATTE	PLACA	
24	900.102.285	14	SCREW	VIS	VITE	SCHRAUBE	TORNILLO	
25	900.103.118	14	NUT	ECROU	DADO	MUTTER	TUERCA	
26	900.102.083	6	SCREW	VIS	VITE	SCHRAUBE	TORNILLO	
27	900.102.280	6	SCREW	VIS	VITE	SCHRAUBE	TORNILLO	
28	900.234.085.0	2	ANGULAR	CORNIERE	ANGOLARE	WINKEL	RACORD	
29	900.234.037	1	GUARD	PROTECTION	PROTEZIONE	SCHUTZ	PROTECCION	
30	900.234.089	1	GUARD	PROTECTION	PROTEZIONE	SCHUTZ	PROTECCION	
31	900.104.057	6	WASHER	RONDELLE	RONDELLA	ZWISCHENSCHIEBE	ARANDELA	
32	900.102.256	6	SCREW	VIS	VITE	SCHRAUBE	TORNILLO	
33	900.234.110	1	SUPPORT	SUPPORT	SUPPORTO	STUETZE	SOPORTE	
34	900.234.111	1	SHOCK ABSORBER	AMORTISSEUR	AMMORTIZZATORE	STOSSDAEMPFER	AMORTIGUADOR	
35	900.103.053	2	NUT	ECROU	DADO	MUTTER	TUERCA	
36	900.102.078	2	SCREW	VIS	VITE	SCHRAUBE	TORNILLO	
37	900.102.065	8	SCREW	VIS	VITE	SCHRAUBE	TORNILLO	
38	900.104.046	8	WASHER	RONDELLE	RONDELLA	ZWISCHENSCHIEBE	ARANDELA	
39	900.103.019	8	NUT	ECROU	DADO	MUTTER	TUERCA	
40	900.103.115	2	TRANSP. RING	ANNEAU	GOLFARE	TRANSPORTING	ANILLO	
41	900.102.078	4	SCREW	VIS	VITE	SCHRAUBE	TORNILLO	

**MISC – PLUS – ALTRO – OTROS - VERSCH**



# TRIS-H



REF	CODE	QTY	ENGLISH	FRANÇAIS	ITALIANO	DEUTSCH	ESPAÑOL	NOTE
1	900.234.070.0	1	FRAME	CHASSIS	TELAIO	RAHMEN	BASTIDOR	120
1	900.234.071.0	1	FRAME	CHASSIS	TELAIO	RAHMEN	BASTIDOR	150
1	900.234.072.0	1	FRAME	CHASSIS	TELAIO	RAHMEN	BASTIDOR	180
2	900.234.067.0	1	FRAME	CHASSIS	TELAIO	RAHMEN	BASTIDOR	120
2	900.234.068.0	1	FRAME	CHASSIS	TELAIO	RAHMEN	BASTIDOR	150
2	900.234.069.0	1	FRAME	CHASSIS	TELAIO	RAHMEN	BASTIDOR	180
3	900.234.073.0	2	TIE ROD	TIRANT	TIRANTE	ZUGSTANGE	TIRANTE	
4	900.234.074.0	2	FORK	FOURCHETTE	FORCELLA	GABEL	HORQUILLA	
5	900.100.115	2	BEARING	ROULEMENT	CUSCINETTO	KUGELLAGER	COJINETE	
6	900.100.043	2	BEARING	ROULEMENT	CUSCINETTO	KUGELLAGER	COJINETE	
7	900.234.103	2	WASHER	RONDELLE	RONDELLA	ZWISCHENSCHLEIBE	ARANDELA	
8	900.103.030	2	RING NUT	EMBOU	GHIRA	NUTMUTTER	CASQUILLO	
9	900.234.076	4	WHEEL	ROUE	RUOTA	RAHMEN	RUEDA	
10	900.234.075.0	2	WHEEL STUD	TOURILLON ROUE	PERNO RUOTA	RADZAPFEN	PERNO RUEDA	
11	900.234.079.0	8	SPACER	ENTRETOISE	DISTANZIALE	ABSTANDSRING	DISTANCIADOR	
12	900.104.043	18	WASHER	RONDELLE	RONDELLA	ZWISCHENSCHLEIBE	ARANDELA	
13	900.102.130	4	SCREW	VIS	VITE	SCHRAUBE	TORNILLO	
14	900.105.007	2	GREASE NIPPLE	GRAISSEUR	INGRASSATORE	SCHMIERNIPPEL	ENGRASADOR	
15	900.103.023	12	NUT	ECROU	DADO	MUTTER	TUERCA	
16	900.102.235	2	SCREW	VIS	VITE	SCHRAUBE	TORNILLO	
17	900.102.213	2	SCREW	VIS	VITE	SCHRAUBE	TORNILLO	
18	900.102.258	2	SCREW	VIS	VITE	SCHRAUBE	TORNILLO	
19	900.102.083	6	SCREW	VIS	VITE	SCHRAUBE	TORNILLO	
20	900.234.077	2	CYLINDER	VERIN	CILINDRO	ZYLINDER	CILINDRO	
21	900.104.041	24	WASHER	RONDELLE	RONDELLA	ZWISCHENSCHLEIBE	ARANDELA	
22	900.237.201	2	SILENCER	SILENCIEUX	SILENZIATORE	DAEMPFER	SILENCIADOR	
23	900.102.257	8	BOLT	BOULON	BULLONE	SCHRAUBBOLZEN	BULON	
24	900.102.259	2	BOLT	BOULON	BULLONE	SCHRAUBBOLZEN	BULON	
25	900.234.042.1	4	CYLINDER	VERIN	CILINDRO	ZYLINDER	CILINDRO	
26	900.234.054.0	2	PIPE	TUBE	TUBO	ROHR	TUBO	
27	900.234.048	4	PIPE	TUBE	TUBO	ROHR	TUBO	120
27	900.234.049	4	PIPE	TUBE	TUBO	ROHR	TUBO	150
27	900.234.053	4	PIPE	TUBE	TUBO	ROHR	TUBO	180
28	900.234.082.0	2	PIPE	TUBE	TUBO	ROHR	TUBO	120
28	900.234.083.0	2	PIPE	TUBE	TUBO	ROHR	TUBO	150
28	900.234.084.0	2	PIPE	TUBE	TUBO	ROHR	TUBO	180
29	900.108.005	2	SPLIT PIN	GOUPILLE	COPIGLIA	ARRETIERUNG	PASADOR	
30	900.234.055	2	PIPE	TUBE	TUBO	ROHR	TUBO	120
30	900.234.056	2	PIPE	TUBE	TUBO	ROHR	TUBO	150
30	900.234.057	2	PIPE	TUBE	TUBO	ROHR	TUBO	180
31	900.237.258	2	FITTING	RACCORD	RACCORDO	FEDER	RACORD	
32	900.234.044	3	PIPE	TUBE	TUBO	ROHR	TUBO	
33	900.104.033	3	WASHER	RONDELLE	RONDELLA	ZWISCHENSCHLEIBE	ARANDELA	
34	900.237.174	3	JACK	EMBAYAGE	INNESTO	VERBINDEN	CONEXION	
35	900.237.108	5	NIPPLES	NIPPLES	NIPPLES	NIPPEL	NIPPLES	
36	900.104.039	6	WASHER	RONDELLE	RONDELLA	ZWISCHENSCHLEIBE	ARANDELA	
37	900.245.019	1	VALVE	VALVE	VALVOLA	VENTILE	VALVULA	
38	900.237.066	1	FITTING	RACCORD	RACCORDO	FEDER	RACORD	
39	900.237.244	1	FITTING	RACCORD	RACCORDO	FEDER	RACORD	

MISC – PLUS – ALTRO – OTROS - VERSCH