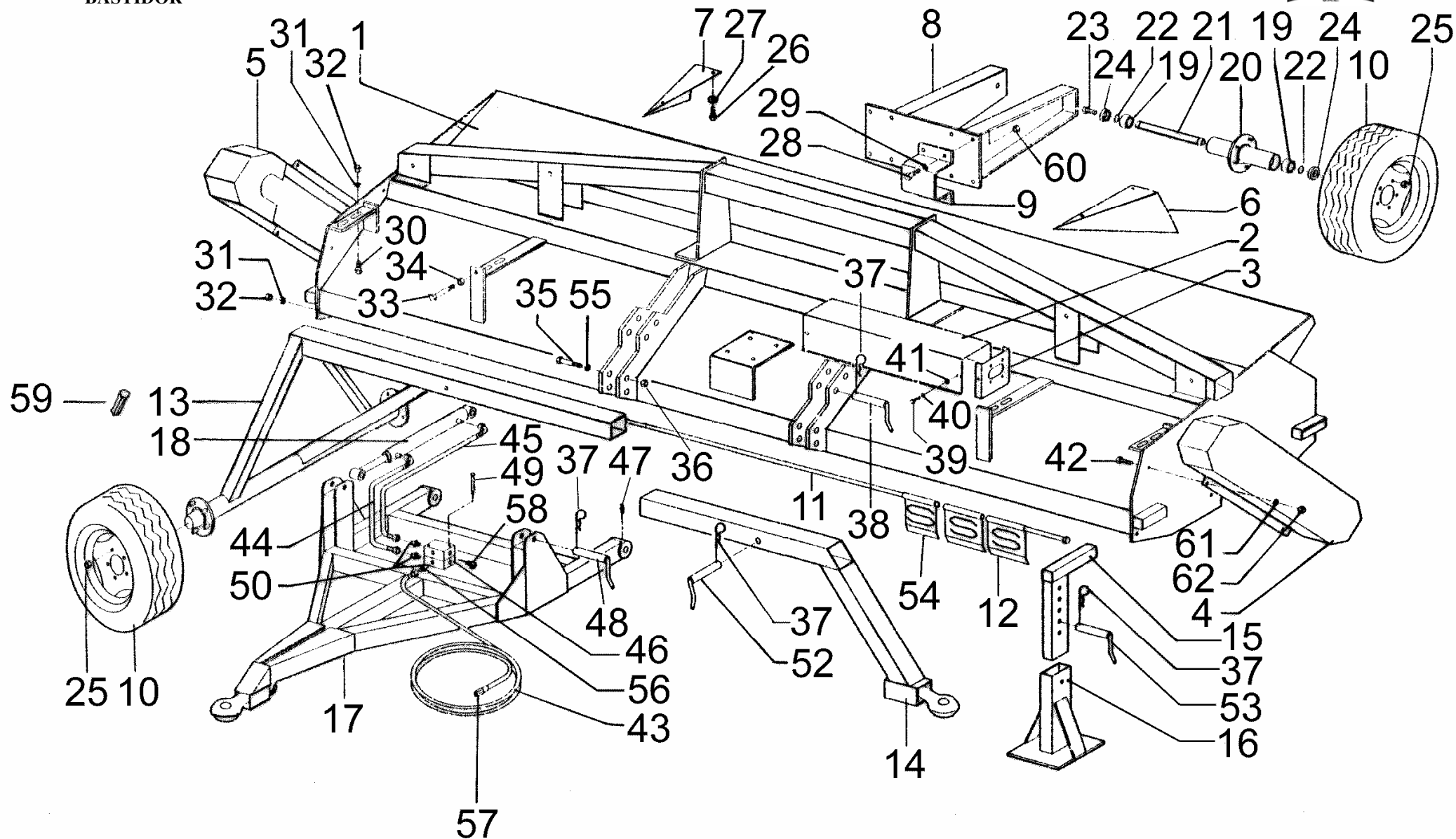


FRAME  
CHASSIS  
TELAIO  
RAHMEN  
BASTIDOR

# JUMBO

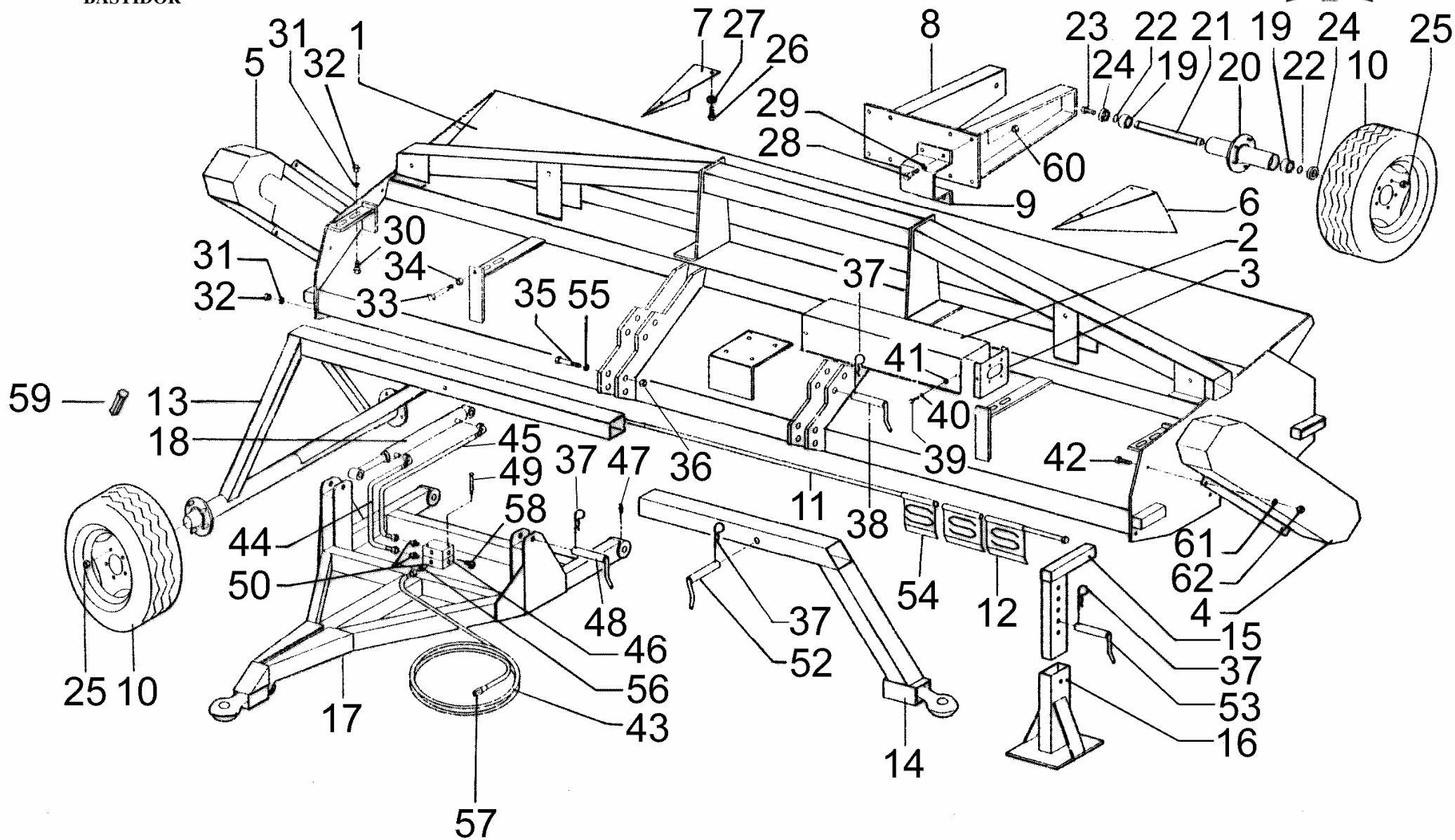


## H-8-1-0

REF	CODE	QTY	ENGLISH	FRANÇAIS	ITALIANO	DEUTSCH	ESPAÑOL	NOTE
1	900.238.289	1	FRAME	CHASSIS	TELAIO	RAHMEN	BASTIDOR	380
1	900.238.290	1	FRAME	CHASSIS	TELAIO	RAHMEN	BASTIDOR	470
2	900.238.291	2	GUARD	PROTECTION	PROTEZIONE	SCHUTZ	PROTECCION	380
2	900.238.292	2	GUARD	PROTECTION	PROTEZIONE	SCHUTZ	PROTECCION	470
3	900.238.293	4	SUPPORT	SUPPORT	SUPPORTO	STUETZE	SOPORTE	
4	900.238.294	1	COVER	CARTER	CARTER	GEHAEUSE	CARTER	
5	900.238.295	1	COVER	CARTER	CARTER	GEHAEUSE	CARTER	
6	900.238.053	--	AILERON	AILERON	ALETTONE	FLUEGEL	ALERON	
7	900.238.052	--	AILERON	AILERON	ALETTONE	FLUEGEL	ALERON	
8	900.238.296	2	SUPPORT	SUPPORT	SUPPORTO	STUETZE	SOPORTE	
9	900.238.004	4	PLATE	PLAQUE	PIASTRA	PLATTE	PLACA	
10	900.238.298	4	WHEEL	ROUE	RUOTA	RAD	RUEDA	
11	900.238.299	1	ROD	TIGE	ASTA	STANGE	VARILLA	380
11	900.238.300	1	ROD	TIGE	ASTA	STANGE	VARILLA	470
12	900.238.064	--	FLAP	AILETTE	ALETTA	SCHUTZLAMELLE	ALETA	
13	900.238.301	1	MINI TRAILER	CHARIOT	CARRELLO	FAHRGESTELL	REMOLQUE	
14	900.238.302	1	DRAWBAR	TIMON	TIMONE	DREICHSEL	TIMON	
15	900.238.287	2	STAND	SUPPORT	SOSTEGNO	STUETZE	SOPORTE	
16	900.238.303	2	BASE	BASE	BASE	BASIS	BASE	
17	900.238.304	1	DRAWBAR	TIMON	TIMONE	DREICHSEL	TIMON	
18	900.238.305.0	2	CYLINDER	VERIN	CILINDRO	ZYLINDER	CILINDRO	
19	900.100.097	4	BEARING	ROULEMENT	CUSCINETTO	KUGELLAGER	COJINETE	
20	900.238.306	2	HUB	MOYEU	MOZZO	NABE	MOZO	
21	900.238.307	2	PIN	TOURILLON	PERNO	STIFT	PERNO	
22	900.106.013	4	CIRCLIP	SERFLEX	SEGER	SEGER	SEGER	
23	900.102.296	4	SCREW	VIS	VITE	SCHRAUBE	TORNILLO	
24	900.101.018	4	OIL SEAL	PARE-HUILE	PARAOLIO	SIMMERRING	PARA-ACEITE	
25	900.238.317	20	NUT	ECROU	DADO	MUTTER	TUERCA	
26	900.102.101.T	--	SCREW	VIS	VITE	SCHRAUBE	TORNILLO	
27	900.104.045	--	WASHER	RONDELLE	RONDELLA	ZWISCHENSCHIBE	ARANDELA	
28	900.102.244	16	SCREW	VIS	VITE	SCHRAUBE	TORNILLO	
29	900.104.043	16	WASHER	RONDELLE	RONDELLA	ZWISCHENSCHIBE	ARANDELA	
30	900.102.096.T	8	SCREW	VIS	VITE	SCHRAUBE	TORNILLO	
31	900.104.044	9	WASHER	RONDELLE	RONDELLA	ZWISCHENSCHIBE	ARANDELA	
32	900.103.021.T	9	NUT	ECROU	DADO	MUTTER	TUERCA	
33	900.102.245.T	4	SCREW	VIS	VITE	SCHRAUBE	TORNILLO	
34	900.103.050	8	NUT	ECROU	DADO	MUTTER	TUERCA	
35	900.102.151	2	SCREW	VIS	VITE	SCHRAUBE	TORNILLO	
36	900.103.106.T	2	NUT	ECROU	DADO	MUTTER	TUERCA	
37	900.108.005	8	SPLIT PIN	GOUPILLE	COPIGLIA	ARRETIERUNG	PASADOR	
38	900.238.312	2	PIN	CHEVILLE	SPINA	DORN	CLAVIJA	
39	900.102.124.T	8	SCREW	VIS	VITE	SCHRAUBE	TORNILLO	
40	900.104.052	8	WASHER	RONDELLE	RONDELLA	ZWISCHENSCHIBE	ARANDELA	
41	900.103.020.T	8	NUT	ECROU	DADO	MUTTER	TUERCA	
42	900.102.121.T	8	SCREW	VIS	VITE	SCHRAUBE	TORNILLO	
43	900.238.308	2	PIPE	TUBE	TUBO	ROHR	TUBO	
44	900.238.309	2	PIPE	TUBE	TUBO	ROHR	TUBO	
45	900.238.310	2	PIPE	TUBE	TUBO	ROHR	TUBO	
46	900.238.311	1	SWITCH	GAREUR	DEVIATORE	ABLENKUNG	DESVIADOR	

FRAME  
CHASSIS  
TELAIO  
RAHMEN  
BASTIDOR

# JUMBO

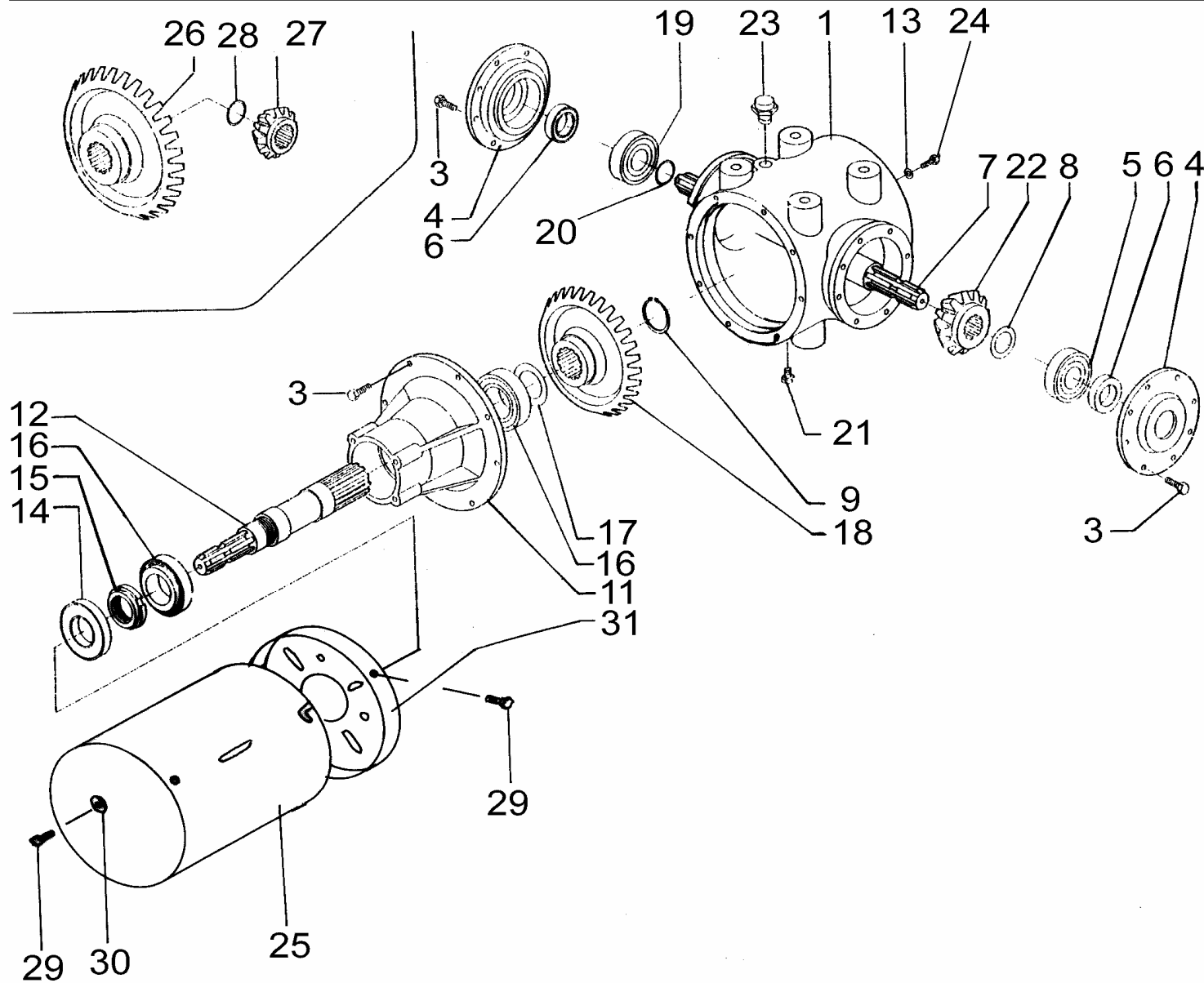


### H-8-1-0

REF	CODE	QTY	ENGLISH	FRANÇAIS	ITALIANO	DEUTSCH	ESPAÑOL	NOTE
47	900.105.021	2	GREASE NIPPLE	GRAISSEUR	INGRASSATORE	SCHMIERNIPPEL	ENGRASADOR	
48	900.238.312	2	PIN	TOURILLON	PERNO	STIFT	PERNO	
49	900.102.246	2	SCREW	VIS	VITE	SCHRAUBE	TORNILLO	
50	900.237.108	6	NIPPLES	NIPPLES	NIPPLES	NIPPEL	NIPPLES	
52	900.238.314	2	PIN	TOURILLON	PERNO	STIFT	PERNO	
53	900.243.086	2	PIN	TOURILLON	PERNO	STIFT	PERNO	
54	900.238.063	--	FLAP	AILETTE	ALETTA	SCHUTZLAMELLE	ALETA	
55	900.104.042	2	WASHER	RONDELLE	RONDELLA	ZWISCHENSCHIEBE	ARANDELA	
56	900.237.154	8	NIPPLES	NIPPLES	NIPPLES	NIPPEL	NIPPLES	
57	900.237.156	2	NIPPLES	NIPPLES	NIPPLES	NIPPEL	NIPPLES	
58	900.102.079	2	PLUG	BOUCHON	TAPPO	DECKEL	TAPON	
59	900.238.316	10	STUD BOLD	COLONNETTE	COLONNETTA	SCHRAUBENBOLZEN	PERNO	
60	900.103.023.T	16	NUT	ECROU	DADO	MUTTER	TUERCA	
61	900.104.045	8	WASHER	RONDELLE	RONDELLA	ZWISCHENSCHIEBE	ARANDELA	
62	900.103.018.T	8	NUT	ECROU	DADO	MUTTER	TUERCA	

GEARBOX  
BOITE DE VITESSE  
GRUPPO  
GETRIEBE  
REDUCTOR

# JUMBO

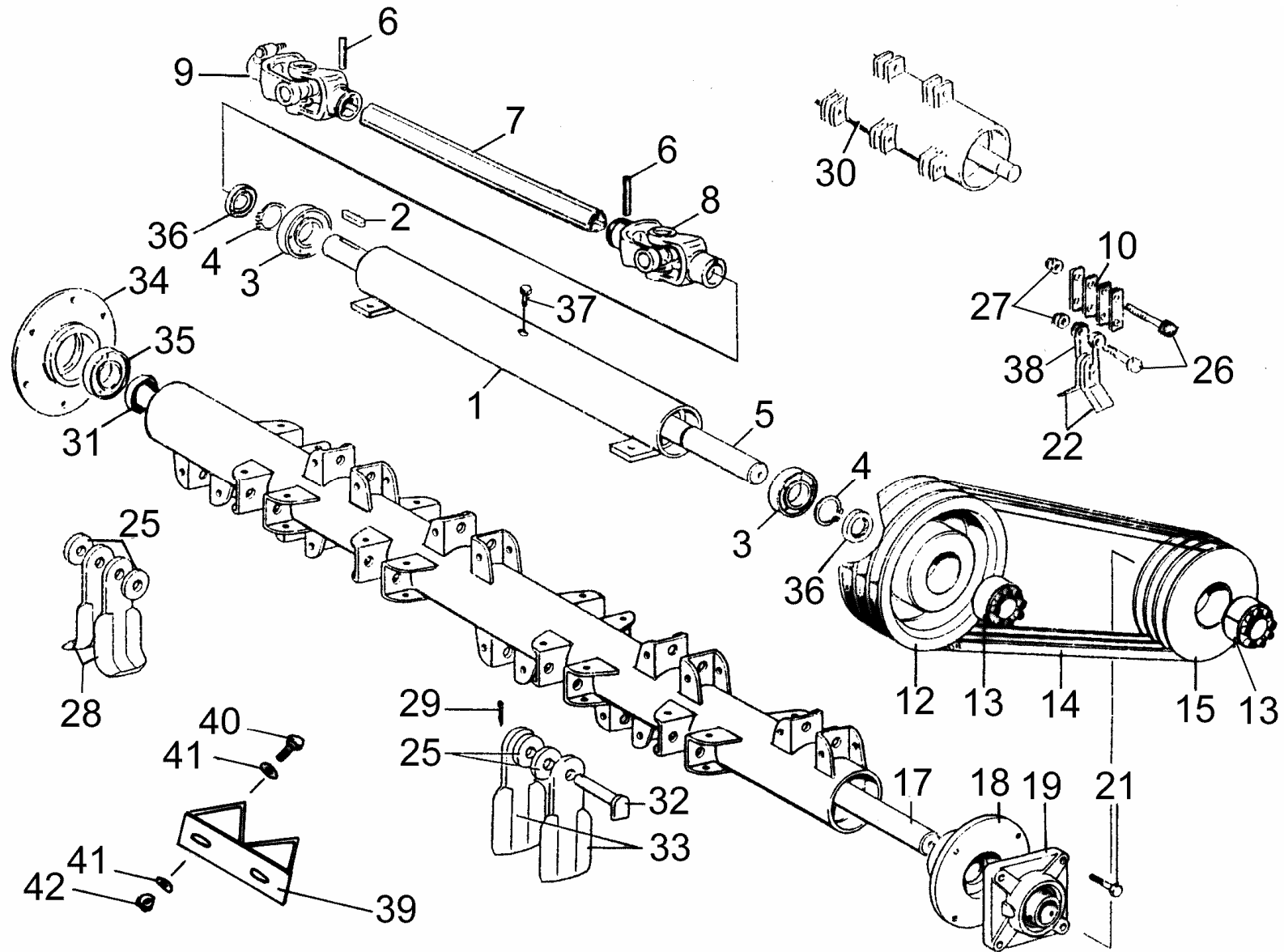


## H-8-2-0

REF	CODE	QTY	ENGLISH	FRANÇAIS	ITALIANO	DEUTSCH	ESPAÑOL	NOTE
1	900.238.266	1	CASE	BOITE	SCATOLA	KISTE	CAJA	
3	900.102.010	24	SCREW	VIS	VITE	SCHRAUBE	TORNILLO	
4	900.238.267	2	LID	COUVERCLE	COPERCHIO	DECKEL	TAPA	
5	900.100.036	1	BEARING	ROULEMENT	CUSCINETTO	KUGELLAGER	COJINETE	
6	900.101.018	2	OIL SEAL	PARE-HUILE	PARAOLIO	SIMMERRING	PARA-ACEITE	
7	900.238.268	1	SHAFT	ARBRE	ALBERO	WELLE	EJE	
8	900.107.048	1	SHIM	EPAISSEUR REG.	SPESSORE REG.	STAERKE	ESPEJOR REG.	
9	900.106.015	1	CIRCLIP	SERFLEX	SEEGER	SEEGER	SEEGER	
11	900.238.269	1	TUBE	TUBE	CANNOTTO	ROHR	TUBO	
12	900.238.270	1	SHAFT	ARBRE	ALBERO	WELLE	EJE	
13	900.104.052	2	WASHER	RONDELLE	RONDELLA	ZWISCHENSCHIBE	ARANDELA	
14	900.101.064	1	OIL SEAL	PARE-HUILE	PARAOLIO	SIMMERRING	PARA-ACEITE	
15	900.103.061	1	RING NUT	EMBOUT	GHIERA	NUTMUTTER	CASQUILLO	
16	900.100.054	2	BEARING	ROULEMENT	CUSCINETTO	KUGELLAGER	COJINETE	
17	900.107.005	1	SHIM	EPAISSEUR REG.	SPESSORE REG.	STAERKE	ESPEJOR REG.	
18	900.238.263	1	CROWN	COURONNE	CORONA	TELLERRAD	CORONA	540 rpm
19	900.100.034	1	BEARING	ROULEMENT	CUSCINETTO	KUGELLAGER	COJINETE	
20	900.107.047	1	SHIM	EPAISSEUR REG.	SPESSORE REG.	STAERKE	ESPEJOR REG.	
21	900.102.173	1	PLUG	BOUCHON	TAPPO	DECKEL	TAPON	
22	900.238.262	1	PINION	PIGNON	PIGNONE	RITZEL	PINON	540 rpm
23	900.102.236	1	PLUG	BOUCHON	TAPPO	DECKEL	TAPON	
24	900.102.256.T	2	SCREW	VIS	VITE	SCHRAUBE	TORNILLO	
25	900.117.072	1	GUARD	PROTECTION	PROTEZIONE	SCHUTZ	PROTECCION	
26	900.238.271	1	CROWN	COURONNE	CORONA	TELLERRAD	CORONA	1000 rpm
27	900.238.272	1	PINION	PIGNON	PIGNONE	RITZEL	PINON	1000 rpm
28	900.107.047	1	SHIM	EPAISSEUR REG.	SPESSORE REG.	STAERKE	ESPEJOR REG.	
29	900.102.256.T	7	SCREW	VIS	VITE	SCHRAUBE	TORNILLO	
30	900.104.057	4	WASHER	RONDELLE	RONDELLA	ZWISCHENSCHIBE	ARANDELA	
31	900.117.070	1	PROT. HOLDER	DISQUE	FONDELLO	ZWSCHUTZHALTER	DISCO	

ROTOR  
ROTOR  
ROTORE  
ROTOR  
ROTOR

# JUMBO da Matr. 38551



### H-8-3-0

REF	CODE	QTY	ENGLISH	FRANÇAIS	ITALIANO	DEUTSCH	ESPAÑOL	NOTE
1	900.238.279	2	PIPE	TUBE	TUBO	ROHR	TUBO	
2	900.105.008	2	KEY	CLAVETTE	CHIAVETTA	KEIL	CHAVETA	
3	900.100.033	4	BEARING	ROULEMENT	CUSCINETTO	KUGELLAGER	COJINETE	
4	900.106.003	4	CIRCLIP	SERFLEX	SEEGER	SEEGER	SEEGER	
5	900.238.280	2	SHAFT	ARBRE	ALBERO	WELLE	EJE	
6	900.108.012	4	ELASTIC PIN	CHEVILLE EL.	SPINA ELASTICA	ELAST. DORN	CLAVIJA EL.	
7	900.238.281	2	PIPE	TUBE	TUBO	ROHR	TUBO	380
7	900.238.282	2	PIPE	TUBE	TUBO	ROHR	TUBO	470
8	900.238.283	2	JOINT	JOINT	GIUNTO	GELENK	UNION	
9	900.238.286	2	JOINT	JOINT	GIUNTO	GELENK	UNION	
10	900.238.140	--	SPACER	ENTRETOISE	DISTANZIALE	ABSTANDSRING	DISTANCIADOR	
12	900.238.084	2	PULLEY	POULIE	PULEGGIA	REIMENSCHLEIBE	POLEA	
13	900.238.208	4	CLAMPING	BLOCAGE	CALETTATORE	KLEMMHUELSE	ENSAMBLADOR	
14	900.238.284	8	BELT	COURROIE	CINGHIA	RIEMEN	CINTA	
15	900.238.088	2	PULLEY	POULIE	PULEGGIA	REIMENSCHLEIBE	POLEA	
17	900.238.276	2	ROTOR	ROTOR	ROTORE	ROTOR	ROTOR	380
17	900.238.277	2	ROTOR	ROTOR	ROTORE	ROTOR	ROTOR	470
18	900.250.056	2	COUNTER-FLANGE	CONTRE-FLASQUE	CONTROFLANGIA	GEGENFLANSCH	CONTRA-BRIDA	
19	900.100.091	2	SUPPORT	SUPPORT	SUPPORTO	STUETZE	SOPORTE	
21	900.102.107	8	SCREW	VIS	VITE	SCHRAUBE	TORNILLO	
22	900.240.060	--	KNIFE	COUTEAU	COLTELLO	MESSER	CUCHILLA	
25	900.238.070	--	SPACER	ENTRETOISE	DISTANZIALE	ABSTANDSRING	DISTANCIADOR	
26	900.102.252.T	--	SCREW	VIS	VITE	SCHRAUBE	TORNILLO	
27	900.103.019.T	--	NUT	ECROU	DADO	MUTTER	TUERCA	
28	900.238.065	--	KNIFE	COUTEAU	COLTELLO	MESSER	CUCHILLA	
29	900.108.007	--	SPLIT PIN	GOUPILLE	COPIGLIA	ARRETIERUNG	PASADOR	
30	900.238.274	2	ROTOR	ROTOR	ROTORE	ROTOR	ROTOR	380
30	900.238.275	2	ROTOR	ROTOR	ROTORE	ROTOR	ROTOR	470
31	900.101.047	2	OIL SEAL	PARE-HUILE	PARAOILIO	SIMMERRING	PARA-ACEITE	
32	900.238.069	--	PIN	CHEVILLE	SPINA	DORN	CLAVIJA	
33	900.238.067	--	KNIFE	COUTEAU	COLTELLO	MESSER	CUCHILLA	
34	900.238.243	2	SUPPORT	SUPPORT	SUPPORTO	STUETZE	SOPORTE	
35	900.100.092	2	BEARING	ROULEMENT	CUSCINETTO	KUGELLAGER	COJINETE	
36	900.101.019	4	OIL SEAL	PARE-HUILE	PARAOILIO	SIMMERRING	PARA-ACEITE	
37	900.102.079	2	PLUG	BOUCHON	TAPPO	DECKEL	TAPON	
38	900.240.061	--	U-BOLT	MANILLE	CAVALLOTTO	U-BOLZEN	SOPORTE	
39	900.238.184	--	STATIC KNIFE	CONTRE COUT.	CONTROCOLT.	GEGENMESSER	CONTRACUCHILLA	
40	900.102.098.T	--	SCREW	VIS	VITE	SCHRAUBE	TORNILLO	
41	900.104.046	--	WASHER	RONDELLE	RONDELLA	ZWISCHENSCHLEIBE	ARANDELA	
42	900.103.019.T	--	NUT	ECROU	DADO	MUTTER	TUERCA	