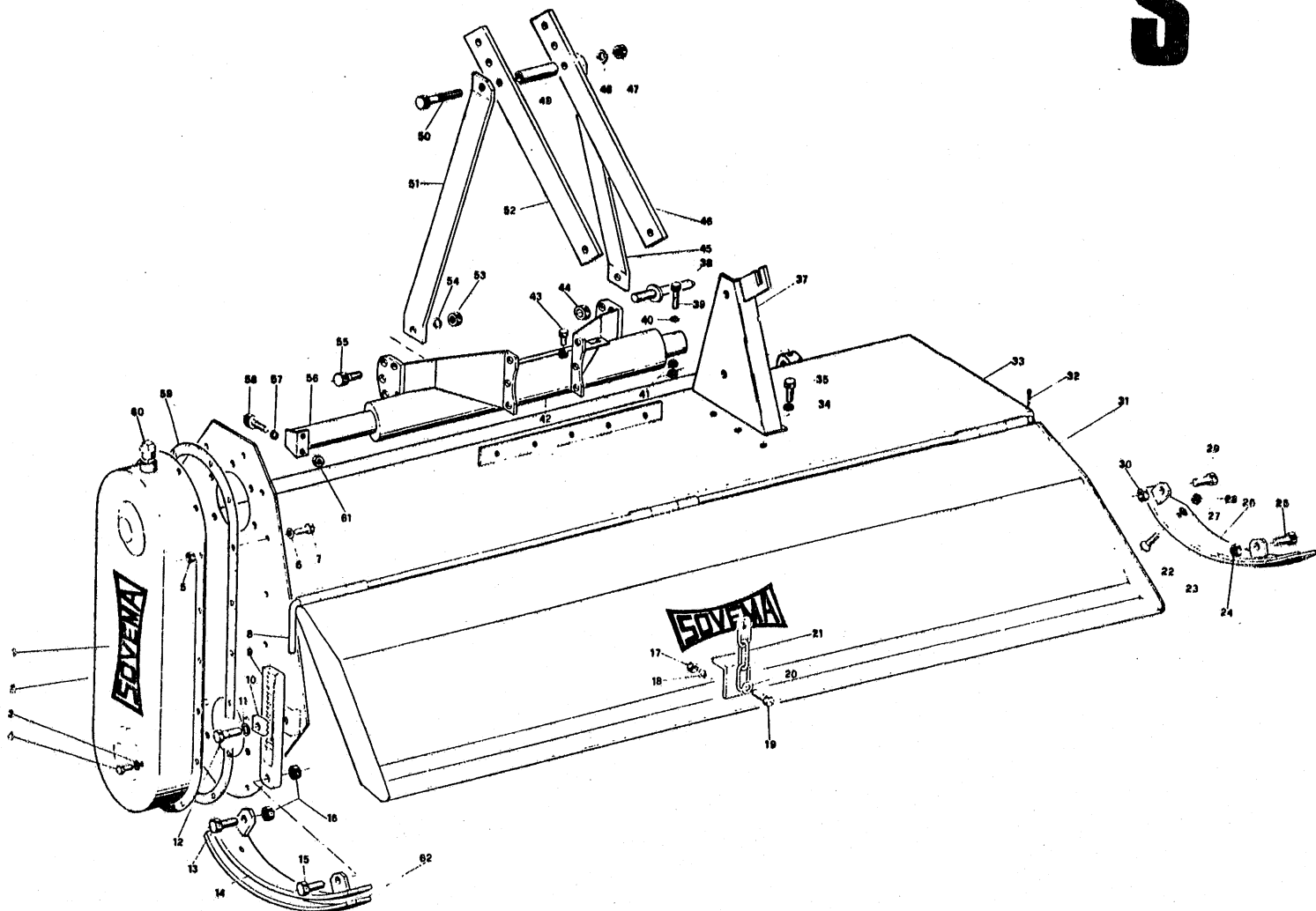


# S



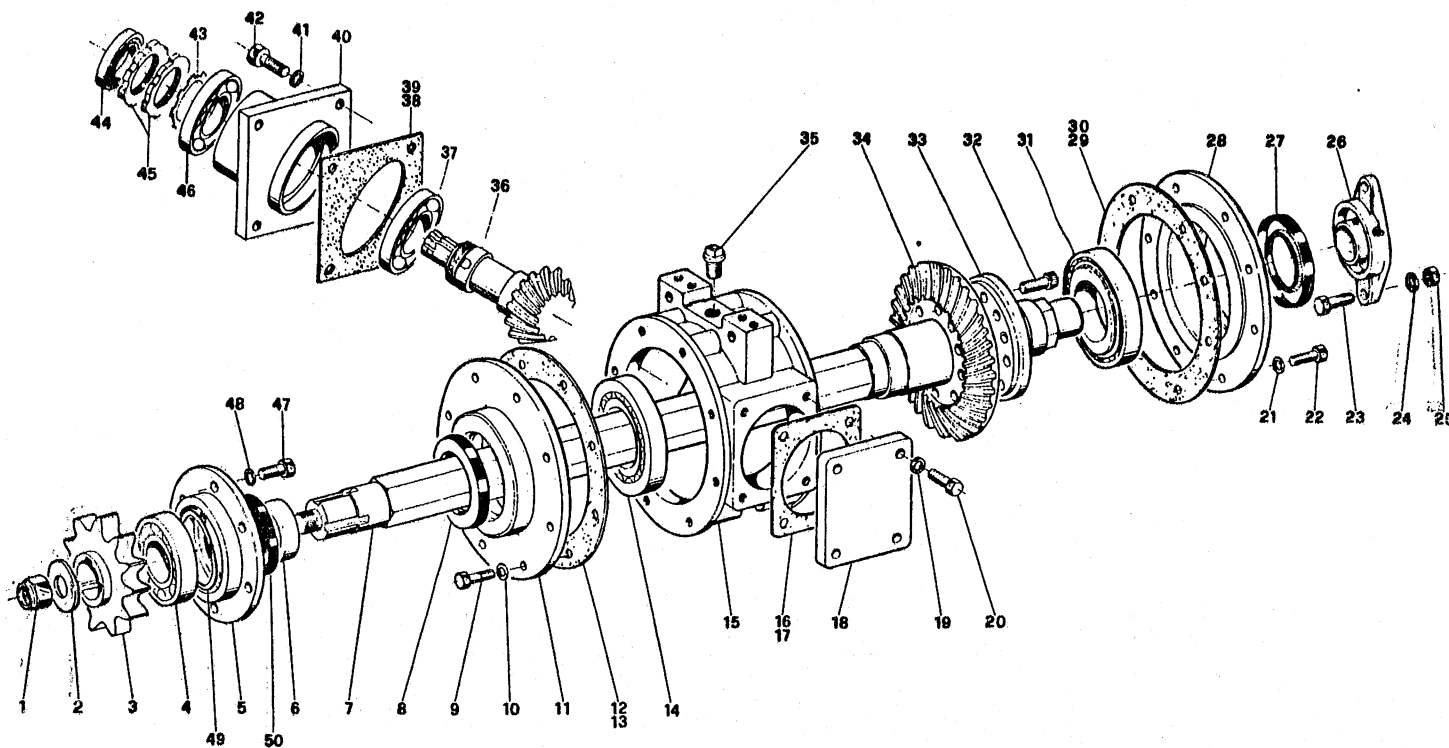
REF.	CODE	Q.TY	MACH.MOD.
1	900.141.002	1	
2	900.113.003	1	S 100/120
	900.113.004	1	S 140/160
	900.113.005	1	S 180/200
3	900.104.009	1	
4	900.102.009	1	
5	900.103.001	16	
6	900.104.002	16	
7	900.102.007	16	
8	900.114.018	1	S 100/120
	900.114.019	1	S 140
	900.114.020	1	S 160
	900.114.021	1	S 180
	900.114.022	1	S 200
9	900.115.007	2	
10	900.115.008	2	
11	900.104.005	2	
12	900.102.027	2	
13	900.102.026	1	S 100/120
	900.102.030	1	S 140/200
14	900.115.002	1	S 100/120
	900.115.004	1	S 140/200
15	900.102.027	1	S 100/120
	900.102.031	1	S 140/200
16	900.103.004	2	
17	900.103.003	1	
18	900.104.004	1	
19	900.102.018	1	
20	900.104.010	1	
21	900.114.016	1	
22	900.102.048	4	
23	900.115.005	1	
24	900.103.004	1	
25	900.102.028	1	
26	900.115.001	1	S 100/120
	900.115.003	1	S 140/200
27	900.104.004	4	S 140/200
28	900.103.003	4	S 140/200
29	900.102.025	1	
30	900.103.004	1	
31	900.114.007	1	S 100

REF.	CODE	Q.TY	MACH.MOD.
31	900.114.008	1	S 120
	900.114.009	1	S 140
	900.114.006	1	S 160
	900.114.010	1	S 180
	900.114.011	1	S 200
32	900.108.001	2	S 100/120
	900.108.002	2	S 140/200
33	900.142.018	1	S 100
	900.142.019	1	S 120
	900.142.020	1	S 140
	900.142.021	1	S 160
	900.142.022	1	S 180
	900.142.023	1	S 200
34	900.104.005	1	
35	900.102.025	3	
37	900.120.014	1	
38	900.116.012	2	S 100/140
	900.116.013	2	S 160/200
39	900.102.016	1	S 100/160
	900.102.023	1	S 180/200
40	900.104.003	1	S 100/160
41	900.104.004	1	S 180/200
	900.103.002	1	S 100/160
	900.103.003	1	S 180/200
42	900.116.005	1	S 100/160
	900.116.006	1	S 180/200
43	900.102.019	2	S 100/160
	900.102.027	2	S 180/200
44	900.103.009	2	S 100/160
	900.103.010	2	S 180/200
45	900.116.014	1	S 100/160
	900.116.019	1	S 180/200
46	900.116.015	1	S 100/160
	900.116.020	1	S 180/200
47	900.103.005	1	S 100/160
	900.103.006	1	S 180/200
48	900.104.005	1	S 100/160
	900.104.006	1	S 180/200
49	900.116.026	1	S 100/140
	900.116.027	1	S 160/200
50	900.116.014	1	S 100/160

REF.	CODE	Q.TY	MACH.MOD.
50	900.102.037	1	S 180/200
51	900.116.014	1	S 100/160
	900.116.019	1	S 180/200
52	900.116.015	1	S 100/160
	900.116.020	1	S 180/200
53	900.103.005	2	S 100/160
	900.103.006	2	S 180/200
54	900.104.005	2	S 100/160
	900.104.006	2	S 180/200
55	900.102.029	2	S 100/160
	900.102.036	2	S 180/200
56	900.116.007	1	S 100
	900.116.008	1	S 120
	900.116.009	1	S 140
	900.116.010	1	S 160
	900.116.011	1	S 180/200
57	900.104.004	3	
58	900.102.020	3	
59	900.139.035	1	S 100/120
	900.139.036	1	S 140/200
60	900.102.049	1	
61	900.103.003	3	
62	900.115.006		

GRUPPO 1° TIPO, FINO ALLA MATRICOLA N° 31352.

S



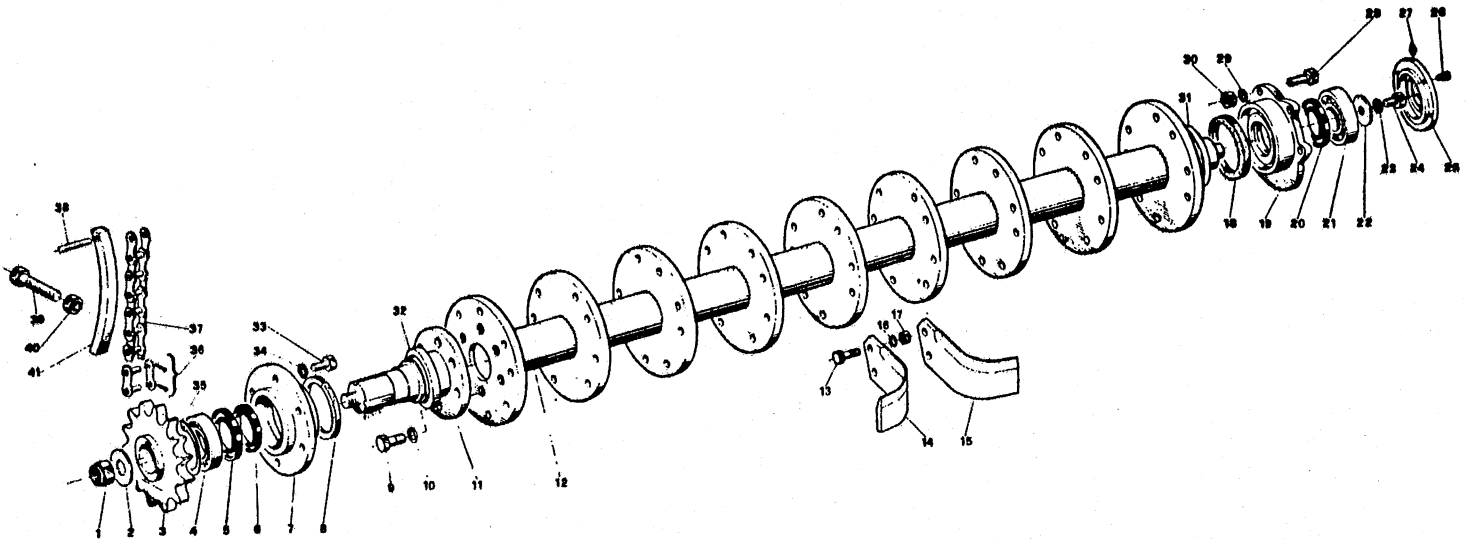
REF.	C O D E	Q. TY	MACH. MOD.
1	900.103.011	1	
2	900.104.013	1	
3	900.112.004	1	S 100/120
	900.112.008	1	S 140/160
	900.112.011	1	S 180/200
4	900.100.009	1	S 100/160
	900.100.006	1	S 180
	900.100.003	1	S 200
5	900.120.011	1	S 100/160
	900.120.012	1	S 180/200
6	900.120.015	1	S 100/160
	900.120.016	1	S 180/200
7	900.120.004	1	S 100
	900.120.005	1	S 120
	900.120.006	1	S 140
	900.120.007	1	S 160
	900.120.008	1	S 180
	900.120.009	1	S 200
8	900.101.012	1	S 100/160
	900.101.007	1	S 180/200
9	900.102.012	8	S 100/160
	900.102.019	8	S 180/200
10	900.104.003	1	S 100/160
	900.104.004	1	S 180/200
11	900.135.005	1	S 100/160
	900.136.005	1	S 180/200
12	900.139.007	1	S 100/160
13	900.139.009	1	S 180/200
14	900.100.011	1	S 120/160
	900.100.012	1	S 180/220
15	900.135.001	1	S 120/160
	900.136.001	1	S 180/200
16	900.139.030	1	S 100/160
17	900.139.032	1	S 180/200
18	900.135.003	1	S 100/160
	900.136.003	1	S 180/200
19	900.104.004	4	S 120/160
	900.104.005	4	S 180/200
20	900.102.018	4	S 100/160
	900.102.026	4	S 180/200
21	900.104.003	8	S 120/160

REF.	C O D E	Q. TY	MACH. MOD.
21	900.104.004	8	S 180/200
22	900.102.012	8	S 120/160
	900.102.012	8	S 180/200
23	900.102.035	2	
24	900.104.006	2	
25	900.103.006	2	
26	900.100.031	2	
27	900.101.011	1	S 100/160
	900.101.007	1	S 180/200
28	900.135.004	1	S 100/160
	900.136.004	1	S 180/200
29	900.139.007	1	S 100/160
30	900.139.009	1	S 180/200
31	900.100.021	1	S 100/160
	900.100.022	1	S 180/200
32	900.102.005	10	
33	900.135.008	1	S 100/160
	900.136.008	1	S 180/200
34	900.135.007	1	S 100/160
	900.136.007	1	S 180/200
35	900.102.049	1	
36	900.135.006	1	S 100/160
	900.136.006	1	S 180/200
37	900.100.023	1	S 100/160
	900.100.024	1	S 180/200
38	900.139.030	1	S 100/160
39	900.139.032	1	S 180/200
40	900.135.002	1	S 100/160
	900.136.002	1	S 180/200
41	900.104.004	4	S 100/160
	900.104.005	4	S 180/200
42	900.102.020	4	S 100/160
	900.102.028	4	S 180/200
43	900.104.016	1	S 100/160
	900.104.017	1	S 180/200
44	900.101.013	1	S 100/160
	900.101.015	1	S 180/200
45	900.103.015	2	S 100/160
	900.103.016	2	S 180/200
46	900.100.025	1	S 100/160
	900.100.024	1	S 180/200

REF.	C O D E	Q. TY	MACH. MOD.
47	900.102.017	6	S 100/160
	900.102.018	6	S 180/200
48	900.104.004	6	S 100/160
	900.104.005	6	S 180/200
49	900.106.005	1	S 100/160
50	900.101.002	1	S 100/160
	900.101.011	1	S 180/200







REF.	C O D E	Q. TY	MACH. MOD.
1	900.103.011	1	
2	900.104.013	1	
3	900.112.012	1	
4	900.100.019	1	
5	900.101.002	1	
6	900.101.002	1	
7	900.110.016	1	
8	900.107.023	1	
9	900.102.026	6	
10	900.104.005	6	
11	900.110.017	1	
12	900.110.008	1	S 180
	900.110.009	1	S 200
13	900.102.045	-	
14	900.111.006	-	
	900.111.010	-	
15	900.111.005	-	
	900.111.009	-	
16	900.104.005	-	
17	900.103.005	-	
18	900.107.022	1	
19	900.110.013	1	
20	900.101.001	1	
21	900.100.009	1	
22	900.104.014	1	
23	900.104.004	1	
24	900.102.018	1	
25	900.110.023	1	
26	900.102.001	4	
27	900.105.007	1	
28	900.102.019	4	
29	900.104.004	4	
30	900.103.003	4	

REF.	C O D E	Q. TY	MACH. MOD.
31	900.110.019	1	
32	900.110.021	1	
33	900.102.024	6	
34	900.104.005	6	
35	900.106.007	1	
36	900.112.025	1	
37	900.112.020	1	
38	900.113.015	1	
39	900.113.011	1	
40	900.103.017	1	
41	900.113.009	1	

REF.	C O D E	Q. TY	MACH. MOD.
------	---------	-------	------------

