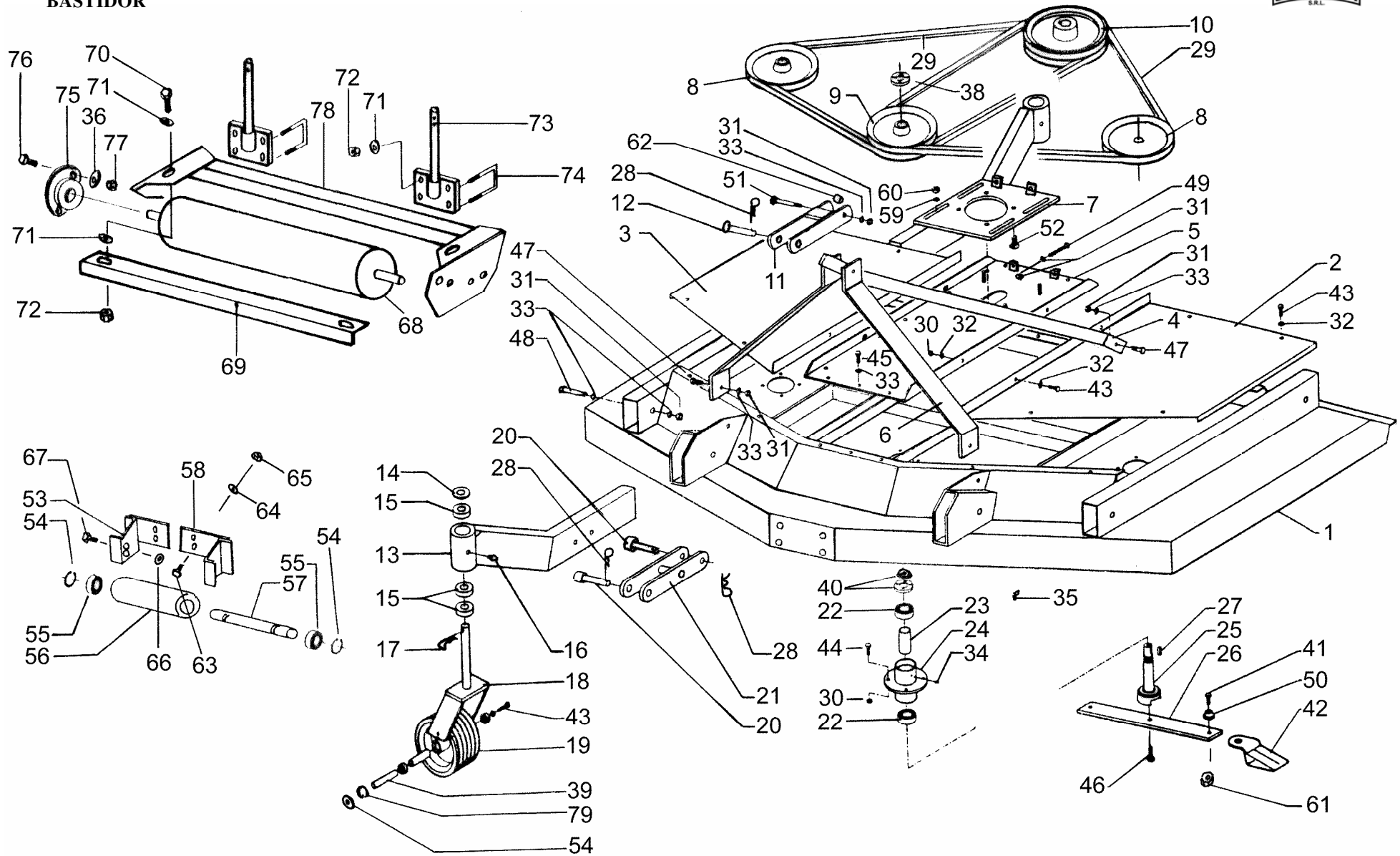


FRAME  
CHASSIS  
TELAIO  
RAHMEN  
BASTIDOR

# EMH-2

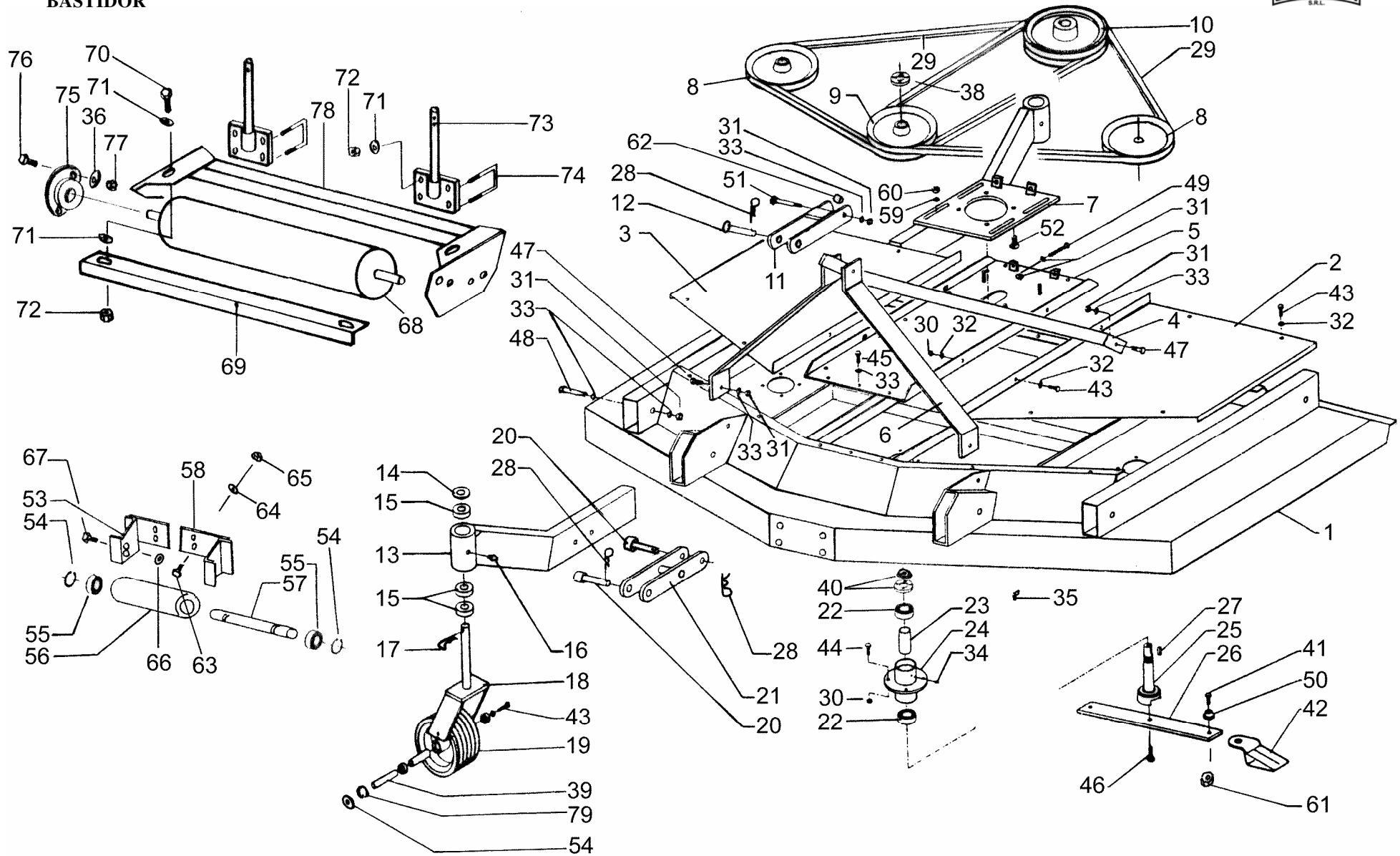


**J-3-1-1**

REF	CODE	QTY	ENGLISH	FRANÇAIS	ITALIANO	DEUTSCH	ESPAÑOL	NOTE
1	900.260.001	1	FRAME	CHASSIS	TELAIO	RAHMEN	BASTIDOR	72
1	900.260.002	1	FRAME	CHASSIS	TELAIO	RAHMEN	BASTIDOR	84
1	900.260.003	1	FRAME	CHASSIS	TELAIO	RAHMEN	BASTIDOR	96
2	900.260.007	1	LID	COUVERCLE	COPERCHIO	DECKEL	TAPA	72
2	900.260.009	1	LID	COUVERCLE	COPERCHIO	DECKEL	TAPA	84
2	900.260.011	1	LID	COUVERCLE	COPERCHIO	DECKEL	TAPA	96
3	900.260.006	1	LID	COUVERCLE	COPERCHIO	DECKEL	TAPA	72
3	900.260.008	1	LID	COUVERCLE	COPERCHIO	DECKEL	TAPA	84
3	900.260.010	1	LID	COUVERCLE	COPERCHIO	DECKEL	TAPA	96
4	900.260.012.0	2	TIE ROD	TIRANT	TIRANTE	ZUGSTANGE	TIRANTE	72
4	900.260.013.0	2	TIE ROD	TIRANT	TIRANTE	ZUGSTANGE	TIRANTE	84
4	900.260.014.0	2	TIE ROD	TIRANT	TIRANTE	ZUGSTANGE	TIRANTE	96
5	900.260.004	1	SUPPORT	SUPPORT	SUPPORTO	STUETZE	SOPORTE	
6	900.260.015	2	TIE ROD	TIRANT	TIRANTE	ZUGSTANGE	TIRANTE	
7	900.260.005	1	SKID	PATIN	SLITTA	KUFE	CORREDERA	
8	900.241.314	2	PULLEY	POULIE	PULEGGIA	REIMENSCHLEIBE	POLEA	72
8	900.241.315.0	2	PULLEY	POULIE	PULEGGIA	REIMENSCHLEIBE	POLEA	84
8	900.260.021	2	PULLEY	POULIE	PULEGGIA	REIMENSCHLEIBE	POLEA	96
9	900.241.317	1	PULLEY	POULIE	PULEGGIA	REIMENSCHLEIBE	POLEA	72
9	900.241.318.0	1	PULLEY	POULIE	PULEGGIA	REIMENSCHLEIBE	POLEA	84
9	900.260.022	1	PULLEY	POULIE	PULEGGIA	REIMENSCHLEIBE	POLEA	96
10	900.260.020	1	PULLEY	POULIE	PULEGGIA	REIMENSCHLEIBE	POLEA	
11	900.260.039	1	HITCH	ATTELAGE	ATTACCO	ANBAU	ENGANCHE	
12	900.240.053	1	PIN	TOURILLON	PERNO	STIFT	PERNO	
13	900.241.254.0	4	ARM	BRAS	BRACCIO	ARM	BRAZO	
14	900.104.053	4	WASHER	RONDELLE	RONDELLA	ZWISCHENSCHLEIBE	ARANDELA	
15	900.241.255	20	SPACER	ENTRETOISE	DISTANZIALE	ABSTANDSRING	DISTANCIADOR	
16	900.105.007	4	GREASE NIPPLE	GRAISSEUR	INGRASSATORE	SCHMIERNIPPEL	ENGRASADOR	
17	900.108.017	4	SPLIT PIN	GOUPILLE	COPIGLIA	ARRETIERUNG	PASADOR	
18	900.241.225	4	SUPPORT	SUPPORT	SUPPORTO	STUETZE	SOPORTE	
19	900.241.226	4	WHEEL	ROUE	RUOTA	RAD	RUEDA	
20	900.116.044	4	PIN	TOURILLON	PERNO	STIFT	PERNO	
21	900.260.016	2	ARM	BRAS	BRACCIO	ARM	BRAZO	
22	900.100.047	6	BEARING	ROULEMENT	CUSCINETTO	KUGELLAGER	COJINETE	
23	900.260.023	3	SPACER	ENTRETOISE	DISTANZIALE	ABSTANDSRING	DISTANCIADOR	
24	900.241.008	3	HUB	MOYEU	MOZZO	NABE	MOZO	
25	900.241.223.0	3	SHAFT	ARBRE	ALBERO	WELLE	EJE	
26	900.241.228	3	BAR	BARRE	BARRA	STANGE	BARRA	72
26	900.241.247	3	BAR	BARRE	BARRA	STANGE	BARRA	84
26	900.241.224	3	BAR	BARRE	BARRA	STANGE	BARRA	96
27	900.105.013	3	KEY	CLAVETTE	CHIAVETTA	KEIL	CHAVETA	
28	900.108.006	5	SPLIT PIN	GOUPILLE	COPIGLIA	ARRETIERUNG	PASADOR	
29	900.260.017	2	BELT	COURROIE	CINGHIA	RIEMEN	CINTA	72
29	900.260.018	2	BELT	COURROIE	CINGHIA	RIEMEN	CINTA	84
29	900.260.019	2	BELT	COURROIE	CINGHIA	RIEMEN	CINTA	96
30	900.103.054.T	12	NUT	ECROU	DADO	MUTTER	TUERCA	
31	900.103.035.T	20	NUT	ECROU	DADO	MUTTER	TUERCA	
32	900.104.036	12	WASHER	RONDELLE	RONDELLA	ZWISCHENSCHLEIBE	ARANDELA	
33	900.104.046	10	WASHER	RONDELLE	RONDELLA	ZWISCHENSCHLEIBE	ARANDELA	
34	900.105.016	1	GREASE NIPPLE	GRAISSEUR	INGRASSATORE	SCHMIERNIPPEL	ENGRASADOR	
35	900.105.017	2	GREASE NIPPLE	GRAISSEUR	INGRASSATORE	SCHMIERNIPPEL	ENGRASADOR	
36	900.104.044	4	WASHER	RONDELLE	RONDELLA	ZWISCHENSCHLEIBE	ARANDELA	
38	900.103.030.T	3	RING NUT	EMBOUT	GHIERA	NUTMUTTER	CASQUILLO	
39	900.241.227	4	PIN	TOURILLON	PERNO	STIFT	PERNO	

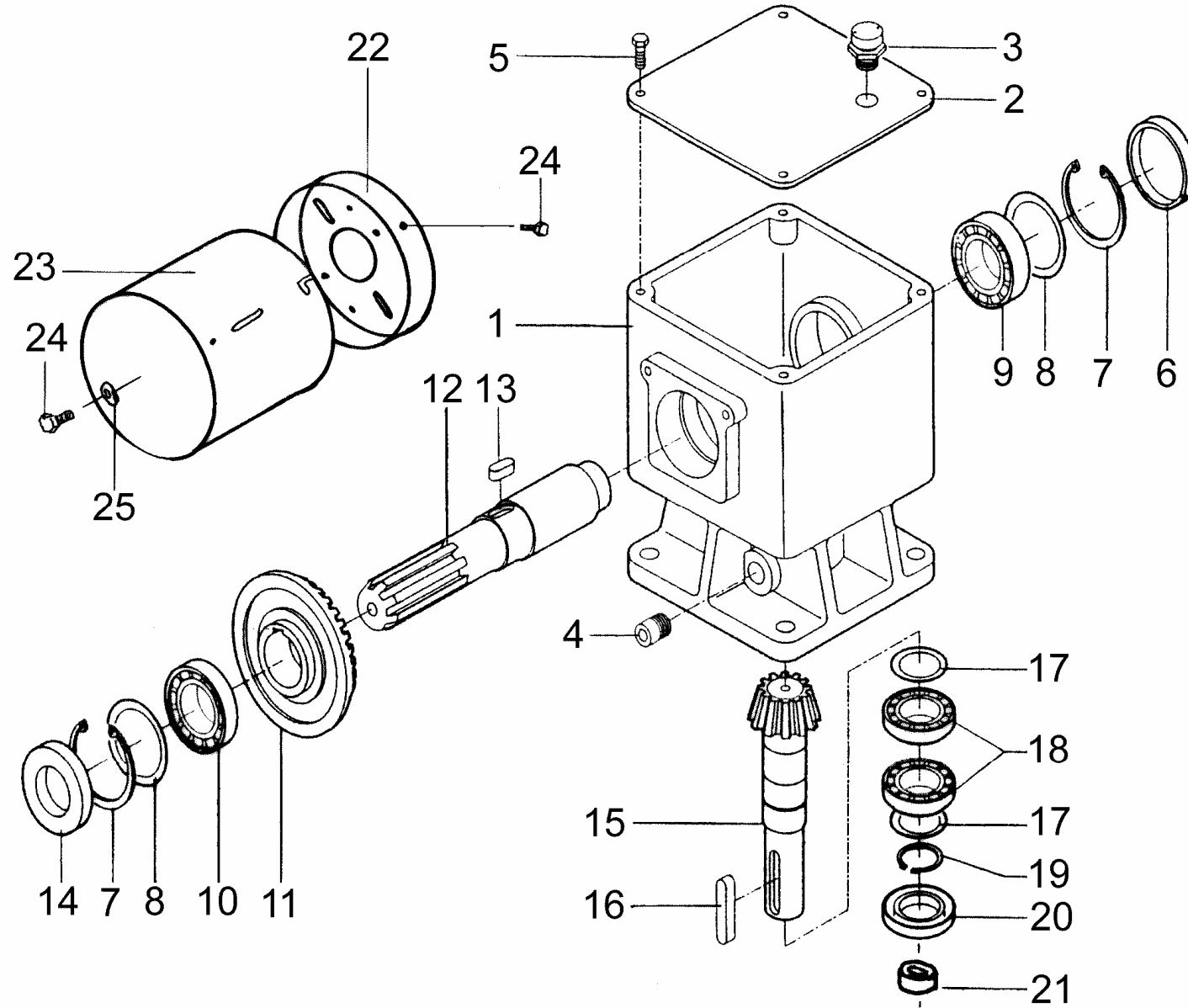
FRAME  
CHASSIS  
TELAIO  
RAHMEN  
BASTIDOR

# EMH-2



### J-3-1-1

REF	CODE	QTY	ENGLISH	FRANÇAIS	ITALIANO	DEUTSCH	ESPAÑOL	NOTE
40	900.103.075	6	RING NUT	EMBOUT	GHIERA	NUTMUTTER	CASQUILLO	
41	900.102.095.T	6	SCREW	VIS	VITE	SCHRAUBE	TORNILLO	
42	900.241.123	6	KNIFE	COUTEAU	COLTELLO	MESSER	CUCHILLA	
43	900.102.069.T	14	SCREW	VIS	VITE	SCHRAUBE	TORNILLO	
44	900.102.100.T	12	SCREW	VIS	VITE	SCHRAUBE	TORNILLO	
45	900.102.069.T	12	SCREW	VIS	VITE	SCHRAUBE	TORNILLO	
46	900.102.098.T	3	SCREW	VIS	VITE	SCHRAUBE	TORNILLO	
47	900.102.115.T	4	SCREW	VIS	VITE	SCHRAUBE	TORNILLO	
48	900.102.182.T	4	SCREW	VIS	VITE	SCHRAUBE	TORNILLO	
49	900.102.245.T	2	SCREW	VIS	VITE	SCHRAUBE	TORNILLO	
50	900.241.028	6	BUSH	COQUILLE	BOCCOLA	BUCHSE	CASQUILLO	
51	900.102.251.T	1	SCREW	VIS	VITE	SCHRAUBE	TORNILLO	
52	900.102.261.T	4	SCREW	VIS	VITE	SCHRAUBE	TORNILLO	
53	900.260.031	1	SUPPORT	SUPPORT	SUPPORTO	STUETZE	SOPORTE	
54	900.106.017	10	CIRCLIP	SERFLEX	SEEGER	SEEGER	SEEGER	
55	900.100.043	2	BEARING	ROULEMENT	CUSCINETTO	KUGELLAGER	COJINETE	
56	900.241.249	1	ROLLER	ROULEAU	RULLO	WALZE	RODILLO	
57	900.241.231	1	PIN	TOURILLON	PERNO	STIFT	PERNO	
58	900.260.032	1	SUPPORT	SUPPORT	SUPPORTO	STUETZE	SOPORTE	
59	900.104.047	4	WASHER	RONDELLE	RONDELLA	ZWISCHENSCHIBE	ARANDELA	
60	900.103.051.T	4	NUT	ECROU	DADO	MUTTER	TUERCA	
61	900.103.109.T	6	NUT	ECROU	DADO	MUTTER	TUERCA	
62	900.241.007	2	SPACER	ENTRETOISE	DISTANZIALE	ABSTANDSRING	DISTANCIADOR	
63	900.102.121.T	4	SCREW	VIS	VITE	SCHRAUBE	TORNILLO	
64	900.104.045	4	WASHER	RONDELLE	RONDELLA	ZWISCHENSCHIBE	ARANDELA	
65	900.103.018.T	4	NUT	ECROU	DADO	MUTTER	TUERCA	
66	900.104.045	2	WASHER	RONDELLE	RONDELLA	ZWISCHENSCHIBE	ARANDELA	
67	900.102.121.T	2	SCREW	VIS	VITE	SCHRAUBE	TORNILLO	
68	900.240.118	1	ROLLER	ROULEAU	RULLO	WALZE	RODILLO	72
68	900.240.119	1	ROLLER	ROULEAU	RULLO	WALZE	RODILLO	84
68	900.260.037	1	ROLLER	ROULEAU	RULLO	WALZE	RODILLO	96
69	900.241.055	1	SCRAPER	RACLEUR	RASCHIARULLO	WALZENSCHABER	RASCARODILLO	72
69	900.260.035	1	SCRAPER	RACLEUR	RASCHIARULLO	WALZENSCHABER	RASCARODILLO	84
69	900.260.036	1	SCRAPER	RACLEUR	RASCHIARULLO	WALZENSCHABER	RASCARODILLO	96
70	900.102.098.T	2	SCREW	VIS	VITE	SCHRAUBE	TORNILLO	
71	900.104.046	12	WASHER	RONDELLE	RONDELLA	ZWISCHENSCHIBE	ARANDELA	
72	900.103.019.T	10	NUT	ECROU	DADO	MUTTER	TUERCA	
73	900.260.038	2	SUPPORT	SUPPORT	SUPPORTO	STUETZE	SOPORTE	
74	900.116.030	4	U-BOLT	MANILLE	CAVALLOTTO	U-BOLZEN	SOPORTE	
75	900.100.030	2	SUPPORT	SUPPORT	SUPPORTO	STUETZE	SOPORTE	
76	900.102.096.T	4	SCREW	VIS	VITE	SCHRAUBE	TORNILLO	
77	900.103.021.T	4	NUT	ECROU	DADO	MUTTER	TUERCA	
78	900.241.052	1	FRAME	CHASSIS	TELAIO	RAHMEN	BASTIDOR	72
78	900.260.033	1	FRAME	CHASSIS	TELAIO	RAHMEN	BASTIDOR	84
78	900.260.034	1	FRAME	CHASSIS	TELAIO	RAHMEN	BASTIDOR	96
79	900.104.059	8	WASHER	RONDELLE	RONDELLA	ZWISCHENSCHIBE	ARANDELA	



**J-3-2-0**

REF	CODE	QTY	ENGLISH	FRANÇAIS	ITALIANO	DEUTSCH	ESPAÑOL	NOTE
1	900.260.025	1	CASE	BOITE	SCATOLA	KISTE	CAJA	
2	900.260.026	1	LID	COUVERCLE	COPERCHIO	DECKEL	TAPA	
3	900.102.236	1	PLUG	BOUCHON	TAPPO	DECKEL	TAPON	
4	900.102.079	1	PLUG	BOUCHON	TAPPO	DECKEL	TAPON	
5	900.102.256.T	4	SCREW	VIS	VITE	SCHRAUBE	TORNILLO	
6	900.260.027	1	LID	COUVERCLE	COPERCHIO	DECKEL	TAPA	
7	900.106.012	2	CIRCLIP	SERFLEX	SEEGER	SEEGER	SEEGER	
8	900.107.057	2	SHIM	EPAISSEUR REG.	SPESSORE REG.	STAERKE	ESPEJOR REG.	
9	900.100.008	1	BEARING	ROULEMENT	CUSCINETTO	KUGELLAGER	COJINETE	
10	900.100.020	1	BEARING	ROULEMENT	CUSCINETTO	KUGELLAGER	COJINETE	
11	900.260.028	1	CROWN	COURONNE	CORONA	TELLERRAD	CORONA	
12	900.260.029	1	SHAFT	ARBRE	ALBERO	WELLE	EJE	
13	900.105.029	1	KEY	CLAVETTE	CHIAVETTA	KEIL	CHAVETA	
14	900.101.009	1	OIL SEAL	PARE-HUILE	PARAOLIO	SIMMERRING	PARA-ACEITE	
15	900.260.030	1	PINION	PIGNON	PIGNONE	RITZEL	PINON	
16	900.105.012	1	KEY	CLAVETTE	CHIAVETTA	KEIL	CHAVETA	
17	900.107.047	2	SHIM	EPAISSEUR REG.	SPESSORE REG.	STAERKE	ESPEJOR REG.	
18	900.100.034	2	BEARING	ROULEMENT	CUSCINETTO	KUGELLAGER	COJINETE	
19	900.106.003	1	CIRCLIP	SERFLEX	SEEGER	SEEGER	SEEGER	
20	900.101.019	1	OIL SEAL	PARE-HUILE	PARAOLIO	SIMMERRING	PARA-ACEITE	
21	900.260.024	1	SPACER	ENTRETOISE	DISTANZIALE	ABSTANDSRING	DISTANCIADOR	
22	900.117.070	1	PROT. HOLDER	DISQUE	FONDELLO	ZWSCHUTZHALTER	DISCO	
23	900.117.072	1	GUARD	PROTECTION	PROTEZIONE	SCHUTZ	PROTECCION	
24	900.102.256.T	7	SCREW	VIS	VITE	SCHRAUBE	TORNILLO	
25	900.104.057	4	WASHER	RONDELLE	RONDELLA	ZWISCHENSCHIEBE	ARANDELA	