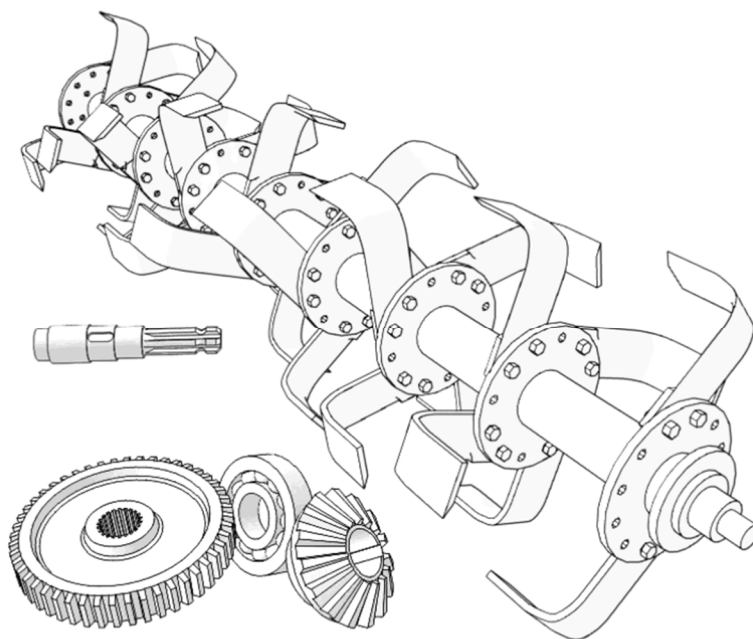




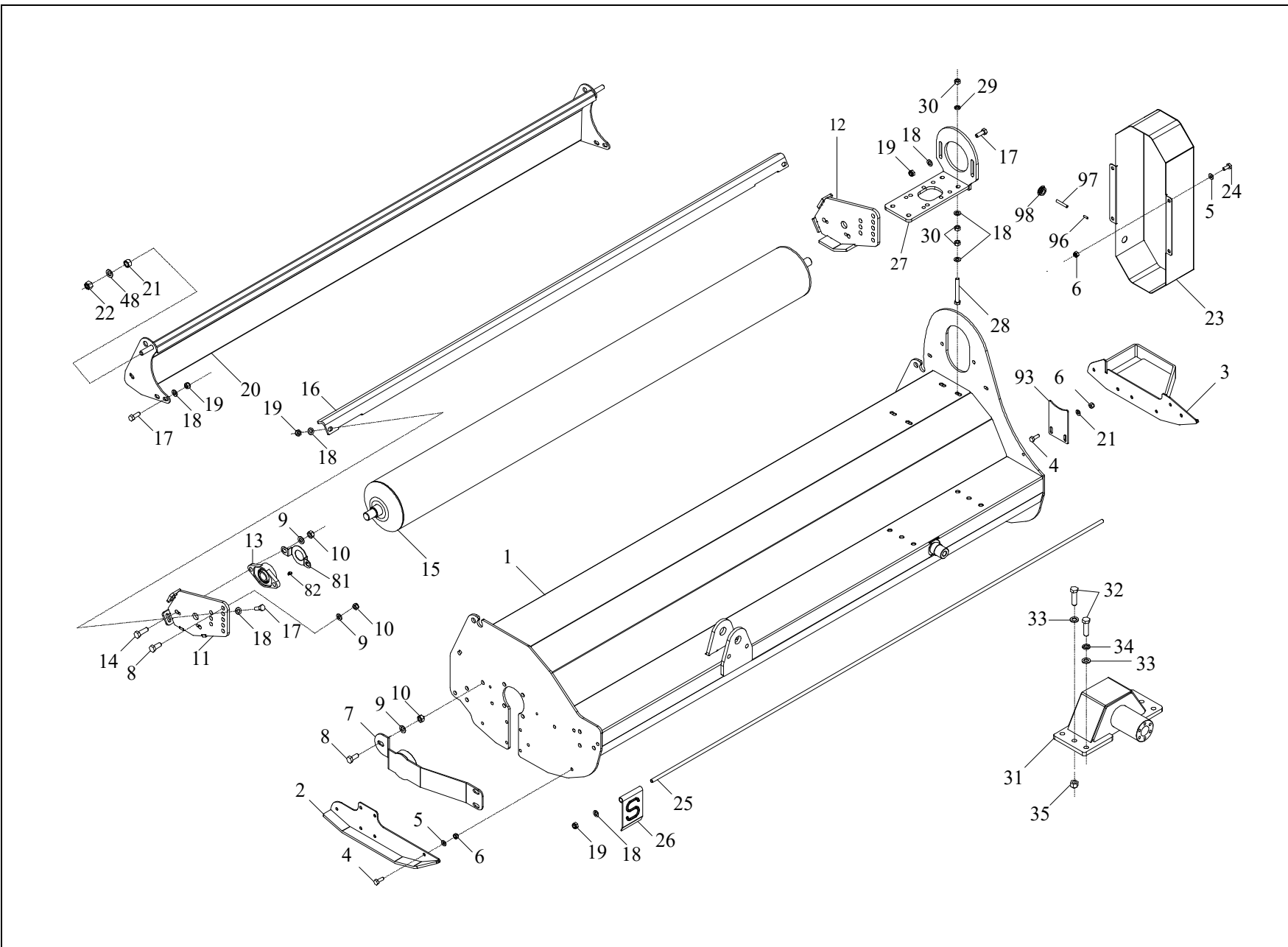
*SPARE PARTS CATALOGUE
CATALOGUE DE PIÈCES DÉTACHÉES
CATALOGO RICAMBI
ERSATZKATALOG
CATÁLOGO DE REPUESTOS*

TDF-HD



Rev. 2021

FRAME - CHASSIS - TELAIO - RAHMEN - BASTIDOR

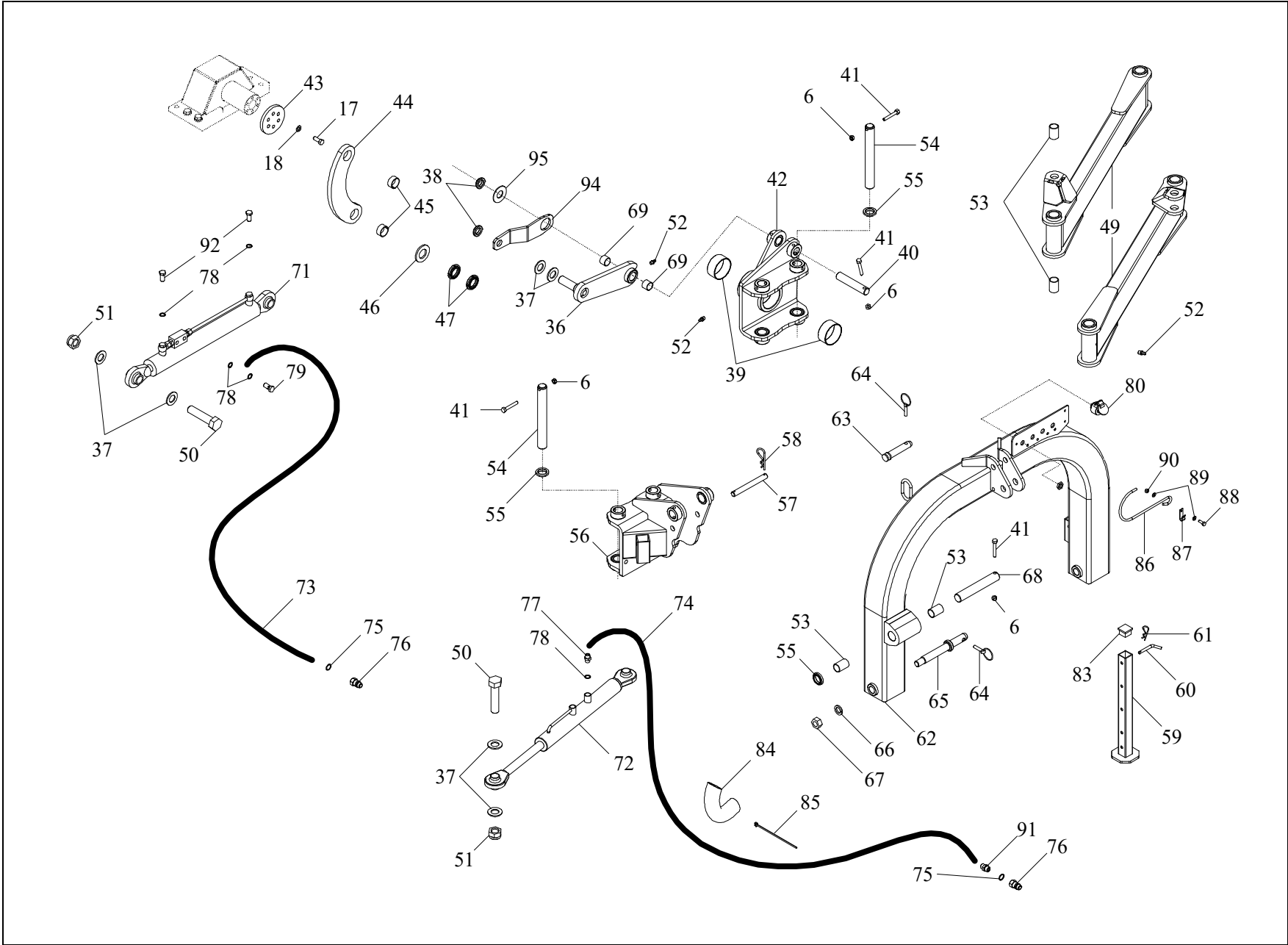


TDF-HD



REF	CODE	QTY	ENGLISH	FRANÇAIS	ITALIANO	DEUTSCH	ESPAÑOL	NOTE
1	900.252.019.1	1	FRAME	CHASSIS	TELAIO	RAHMEN	BASTIDOR	180
1	900.252.040.1	1	FRAME	CHASSIS	TELAIO	RAHMEN	BASTIDOR	200
1	900.252.041.1	1	FRAME	CHASSIS	TELAIO	RAHMEN	BASTIDOR	220
2	900.252.024	1	SKID	PATIN	SLITTA	KUFE	CORREDERA	
3	900.252.025	1	SKID	PATIN	SLITTA	KUFE	CORREDERA	
4	900.102.100	12	SCREW	VIS	VITE	SCHRAUBE	TORNILLO	
5	900.104.045	22	WASHER	RONDELLE	RONDELLA	ZWISCHENSCHIEBE	ARANDELA	
6	900.103.018	22	NUT	ECROU	DADO	MUTTER	TUERCA	
7	900.252.032	1	GUARD	PROTECTION	PROTEZIONE	SCHUTZ	PROTECCION	180
7	900.252.046	1	GUARD	PROTECTION	PROTEZIONE	SCHUTZ	PROTECCION	200-220
8	900.102.188	8	SCREW	VIS	VITE	SCHRAUBE	TORNILLO	
9	900.104.044	13	WASHER	RONDELLE	RONDELLA	ZWISCHENSCHIEBE	ARANDELA	
10	900.103.021	12	NUT	ECROU	DADO	MUTTER	TUERCA	
11	900.252.152	1	SUPPORT	SUPPORT	SUPPORTO	STUETZE	SOPORTE	
12	900.252.153	1	SUPPORT	SUPPORT	SUPPORTO	STUETZE	SOPORTE	
13	900.100.030	2	SUPPORT	SUPPORT	SUPPORTO	STUETZE	SOPORTE	
14	900.102.112	4	SCREW	VIS	VITE	SCHRAUBE	TORNILLO	
15	900.252.163	1	ROLLER	ROULEAU	RULLO	WALZE	RODILLO	180
15	900.252.164	1	ROLLER	ROULEAU	RULLO	WALZE	RODILLO	200
15	900.252.165	1	ROLLER	ROULEAU	RULLO	WALZE	RODILLO	220
16	900.251.158	1	SCRAPER	RACLEUR	RASCHIARULLO	WALZENSCHABER	RASCAROD.	180
16	900.251.073	1	SCRAPER	RACLEUR	RASCHIARULLO	WALZENSCHABER	RASCAROD.	200
16	900.251.159	1	SCRAPER	RACLEUR	RASCHIARULLO	WALZENSCHABER	RASCAROD.	220
17	900.102.102	12	SCREW	VIS	VITE	SCHRAUBE	TORNILLO	
18	900.104.046	24	WASHER	RONDELLE	RONDELLA	ZWISCHENSCHIEBE	ARANDELA	
19	900.103.019	8	NUT	ECROU	DADO	MUTTER	TUERCA	
20	900.252.022	1	SHIELD	CAPOT	COFANO	HAUBE	CARCASA	180
20	900.252.023	1	SHIELD	CAPOT	COFANO	HAUBE	CARCASA	200
20	900.252.042	1	SHIELD	CAPOT	COFANO	HAUBE	CARCASA	220
21	900.211.028	2	BUSH	COQUILLE	BOCCOLA	BUCHSE	CASQUILLO	
22	900.103.023	2	NUT	ECROU	DADO	MUTTER	TUERCA	
23	900.272.003	1	COVER	CARTER	CARTER	GEHAUESE	CARTER	
24	900.102.121	4	SCREW	VIS	VITE	SCHRAUBE	TORNILLO	
25	900.240.114	1	ROD	TIGE	ASTA	STANGE	VARILLA	180
25	900.251.054	1	ROD	TIGE	ASTA	STANGE	VARILLA	200
25	900.251.055	1	ROD	TIGE	ASTA	STANGE	VARILLA	220
26	900.238.063	18	FLAP	AILETTE	ALETTA	SCHUTZLAMELLE	ALETA	180
26	900.238.063	20	FLAP	AILETTE	ALETTA	SCHUTZLAMELLE	ALETA	200
26	900.238.063	22	FLAP	AILETTE	ALETTA	SCHUTZLAMELLE	ALETA	220
27	900.252.033	1	PLATE	PLAQUE	PIASTRA	PLATTE	PLACA	
28	900.102.381	4	SCREW	VIS	VITE	SCHRAUBE	TORNILLO	
29	900.104.105	8	WASHER	RONDELLE	RONDELLA	ZWISCHENSCHIEBE	ARANDELA	
30	900.103.035	12	NUT	ECROU	DADO	MUTTER	TUERCA	
31	900.252.026	1	PIN	TOURILLON	PERNO	STIFT	PERNO	
32	900.102.281	6	SCREW	VIS	VITE	SCHRAUBE	TORNILLO	
33	900.104.107	4	WASHER	RONDELLE	RONDELLA	ZWISCHENSCHIEBE	ARANDELA	
34	900.104.043	6	WASHER	RONDELLE	RONDELLA	ZWISCHENSCHIEBE	ARANDELA	
35	900.103.023	2	NUT	ECROU	DADO	MUTTER	TUERCA	
48	900.104.043	2	WASHER	RONDELLE	RONDELLA	ZWISCHENSCHIEBE	ARANDELA	
52	900.105.015	6	GREASE NIPPLE	GRAISSEUR	INGRASSATORE	SCHMIERNIPPEL	ENGRASADOR	
53	900.252.007	10	BUSH	COQUILLE	BOCCOLA	BUCHSE	CASQUILLO	
54	900.277.009	4	PIN	TOURILLON	PERNO	STIFT	PERNO	
55	900.103.069	5	RING NUT	EMBOUT	GHIERA	NUTMUTTER	TUERCA	
56	900.252.045	1	FORK	FOURCHETTE	FORCELLA	GABEL	HORQUILLA	
57	900.277.005	1	PIN	TOURILLON	PERNO	STIFT	PERNO	
58	900.108.017	2	SPLIT	GOUPILLE	COPIGLIA	ARRETIERUNG	PASADOR	
81	900.117.100	2	GUARD	PROTECTION	PROTEZIONE	SCHUTZ	PROTECCION	
82	900.105.014	1	GREASE NIPPLE	GRAISSEUR	INGRASSATORE	SCHMIERNIPPEL	ENGRASADOR	
93	900.252.087	1	PLATE	PLAQUE	PIASTRA DI CHIUSURA	PLATTE	PLACA	
96	900.276.056	1	GRUB SCREW	VIS	GRANO	STIFT	PASADOR	
97	900.276.096	1	EXTENSION	PROLONGE	PROLUNGA	VERLAENGERUNG	PROLONGACION	
98	900.109.016	1	PLUG	BOUCHON	TAPPO	DECKEL	TAPON	

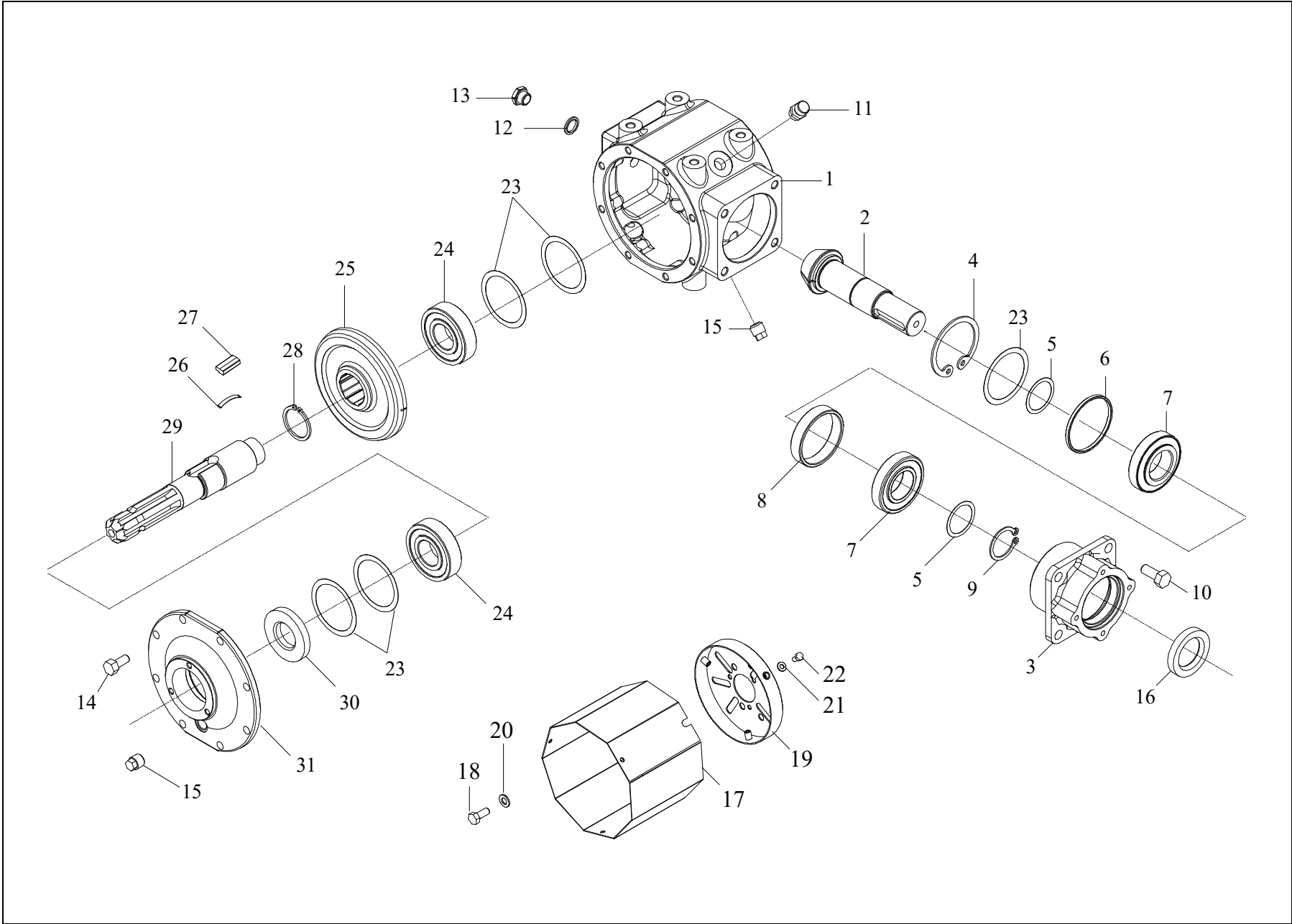
FRAME - CHASSIS - TELAIO - RAHMEN - BASTIDOR



TDF-HD



REF	CODE	QTY	ENGLISH	FRANÇAIS	ITALIANO	DEUTSCH	ESPAÑOL	NOTE
6	900.103.018	22	NUT	ECROU	DADO	MUTTER	TUERCA	
17	900.102.102	12	SCREW	VIS	VITE	SCHRAUBE	TORNILLO	
18	900.104.046	24	WASHER	RONDELLE	RONDELLA	ZWISCHENSCHLEIBE	ARANDELA	
36	900.252.029	1	TIE ROD	BIELLE	BIELLA	STANGE	BIELA	
37	900.104.053	7	WASHER	RONDELLE	RONDELLA	ZWISCHENSCHLEIBE	ARANDELA	
38	900.103.014	2	RING NUT	EMBOUT	GHIERA	NUTMUTTER	TUERCA	
39	900.252.008	2	BUSH	COQUILLE	BOCCOLA	BUCHSE	CASQUILLO	
40	900.277.008.1	1	PIN	TOURILLON	PERNO	STIFT	PERNO	
41	900.102.383	6	SCREW	VIS	VITE	SCHRAUBE	TORNILLO	
42	900.252.027	1	FORK	FOURCHETTE	FORCELLA	GABEL	HORQUILLA	
43	900.252.002	1	WASHER	RONDELLE	RONDELLA	ZWISCHENSCHLEIBE	ARANDELA	
44	900.252.003	1	TIE ROD	BIELLE	BIELLA	STANGE	BIELA	
45	900.252.006	2	BUSH	COQUILLE	BOCCOLA	BUCHSE	CASQUILLO	
46	900.104.116	1	WASHER	RONDELLE	RONDELLA	ZWISCHENSCHLEIBE	ARANDELA	
47	900.103.033	2	RING NUT	EMBOUT	GHIERA	NUTMUTTER	TUERCA	
49	900.252.043	2	ARM	BRAS	BRACCIO	ARM	BRAZO	180-200
49	900.252.047	2	ARM	BRAS	BRACCIO	ARM	BRAZO	220
50	900.102.382	3	SCREW	VIS	VITE	SCHRAUBE	TORNILLO	
51	900.103.130	3	NUT	ECROU	DADO	MUTTER	TUERCA	
52	900.105.015	6	GREASE NIPPLE	GRAISSEUR	INGRASSATORE	SCHMIERNIPPEL	ENGRASADOR	
53	900.252.007	10	BUSH	COQUILLE	BOCCOLA	BUCHSE	CASQUILLO	
54	900.277.009	4	PIN	TOURILLON	PERNO	STIFT	PERNO	
55	900.103.069	5	RING NUT	EMBOUT	GHIERA	NUTMUTTER	TUERCA	
56	900.252.045	1	FORK	FOURCHETTE	FORCELLA	GABEL	HORQUILLA	
57	900.277.005	1	PIN	TOURILLON	PERNO	STIFT	PERNO	
58	900.108.017	2	SPLIT	GOUPILLE	COPIGLIA	ARRETIERUNG	PASADOR	
59	900.238.001	2	STAND	SUPPORT	SOSTEGNO	STUETZE	SOPORTE	
60	900.207.008	2	PIN	CHEVILLE	SPINA	DORN	CLAVIJA	
61	900.108.005	2	SPLIT	GOUPILLE	COPIGLIA	ARRETIERUNG	PASADOR	
62	900.252.044	1	FRAME	CHASSIS	TELAIO	RAHMEN	BASTIDOR	
63	900.277.012	1	PIN	TOURILLON	PERNO	STIFT	PERNO	
64	900.108.042	3	CLICK PIN	CHEVILLE DECKIC	SPINA A SCATTO	SCHNAPPSTIFT	CLAVIJA DE RES.	
65	900.277.010	2	PIN	TOURILLON	PERNO	STIFT	PERNO	
66	900.104.090	2	WASHER	RONDELLE	RONDELLA	ZWISCHENSCHLEIBE	ARANDELA	
67	900.103.048	2	NUT	ECROU	DADO	MUTTER	TUERCA	
68	900.277.013	1	PIN	TOURILLON	PERNO	STIFT	PERNO	
69	900.252.005	2	BUSH	COQUILLE	BOCCOLA	BUCHSE	CASQUILLO	
71	900.275.010	1	CYLINDER	VERIN	CILINDRO	ZYLINDER	CILINDRO	
72	900.275.011	1	CYLINDER	VERIN	CILINDRO	ZYLINDER	CILINDRO	
73	900.276.040	2	PIPE	TUBE	TUBO	ROHR	TUBO	
74	900.276.041.2	2	PIPE	TUBE	TUBO	ROHR	TUBO	
75	900.104.033	4	WASHER	RONDELLE	RONDELLA	ZWISCHENSCHLEIBE	ARANDELA	
76	900.237.174	4	JACK	EMBAYAGE	INNESTO	VERBINDEN	CONEXION	
77	900.237.108	2	NIPPLES	NIPPLES	NIPPLES	NIPPEL	NIPPLES	
78	900.104.039	8	WASHER	RONDELLE	RONDELLA	ZWISCHENSCHLEIBE	ARANDELA	
79	900.102.269	2	BOLT DRILLED	BOULON AVEC TROUS	BULLONE FORATO	SCHRAUBB. GEBORTH	BULON OJOS	
80	900.276.039	4	SUPPORT	SUPPORTO	SUPPORTO	STUETZE	SOPORTE	
83	900.109.011	2	PLUG	BOUCHON	TAPPO	DECKEL	TAPON	
84	900.276.042	2	SHEAT	ENVELOPP	GUAINA	SCHEIDE	FUNDA	
84	900.276.043	2	SHEAT	ENVELOPP	GUAINA	SCHEIDE	FUNDA	
85	900.276.035	6	CLAMP	BANDE	FASCETTA	BINDE	BANDEJA	
86	900.117.105	1	SUPPORT	SUPPORT	SUPPORTO	STUETZE	SOPORTE	
87	900.117.106	1	SUPPORT	SUPPORT	SUPPORTO	STUETZE	SOPORTE	
88	900.102.147	1	SCREW	VIS	VITE	SCHRAUBE	TORNILLO	
89	900.104.052	1	WASHER	RONDELLE	RONDELLA	ZWISCHENSCHLEIBE	ARANDELA	
90	900.103.020	1	NUT	ECROU	DADO	MUTTER	TUERCA	
91	900.276.028	2	NIPPLES	NIPPLES	NIPPLES	NIPPEL	NIPPLES	
92	900.276.044	2	BOLT DRILLED	BOULON AVEC TROUS	BULLONE FORATO	SCHRAUBB. GEBORTH	BULON OJOS	
94	900.252.106	1	TIE ROD	BIELLE	BIELLA	STANGE	BIELA	
95	900.104.125	1	WASHER	RONDELLE	RONDELLA	ZWISCHENSCHLEIBE	ARANDELA	



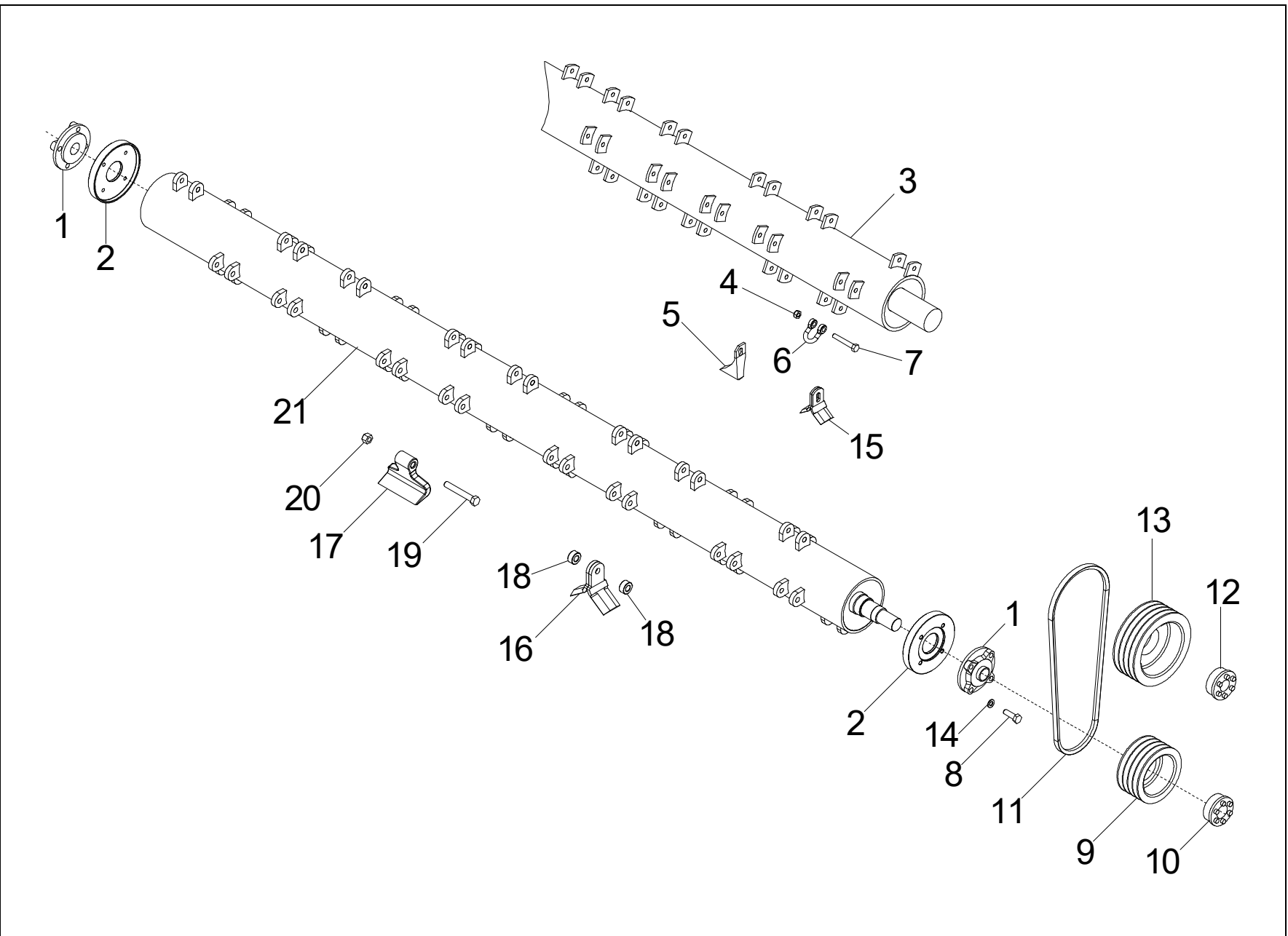
TDF-HD



REF	CODE	QTY	ENGLISH	FRANÇAIS	ITALIANO	DEUTSCH	ESPAÑOL	NOTE
1	900.161.015	1	CASE	BOITE	SCATOLA	KISTE	CAJA	
2	900.160.021	1	PINION	PIGNON	PIGNONE	RITZEL	PINON	
3	900.161.017	1	FLANGE	FLASQUE	FLANGIA	DECKEL	BRIDA	
4	900.106.011	1	CIRCLIP	SERFLEX	SEEGER	SEEGER	SEEGER	
5	900.107.047	2	SHIM	EPAISSEUR	SPESSORE	STAERKE	ESPEJOR	
6	900.107.068	1	SPACER	ENTRETOISE	DISTANZIALE	ABSTANDSRING	DISTANCIADOR	
7	900.100.112	2	BEARING	ROULEMENT	CUSCINETTO	KUGELLAGER	COJINETE	
8	900.107.067	1	SPACER	ENTRETOISE	DISTANZIALE	ABSTANDSRING	DISTANCIADOR	
9	900.106.003	1	CIRCLIP	SERFLEX	SEEGER	SEEGER	SEEGER	
10	900.102.019	4	SCREW	VIS	VITE	SCHRAUBE	TORNILLO	
11	900.102.323	1	PLUG	BOUCHON	TAPPO	DECKEL	TAPON	
12	900.104.085	1	WASHER	RONDELLE	RONDELLA	ZWISCHENSCHLEIBE	ARANDELA	
13	900.102.110	1	PLUG	BOUCHON	TAPPO	DECKEL	TAPON	
14	900.102.011	8	SCREW	VIS	VITE	SCHRAUBE	TORNILLO	
15	900.102.079	2	PLUG	BOUCHON	TAPPO	DECKEL	TAPON	
16	900.101.030	1	OIL SEAL	PARE-HUILE	PARAOILIO	SIMMERRING	PARA-ACEITE	
17	900.117.115.2	1	GUARD	PROTECTION	PROTEZIONE	SCHUTZ	PROTECCION	
18	900.102.256	3	SCREW	VIS	VITE	SCHRAUBE	TORNILLO	
19	900.117.071	1	PROT. HOLDER	DISQUE	FONDELLO	ZWSCHUTZHALTER	DISCO	
20	900.104.057	3	WASHER	RONDELLE	RONDELLA	ZWISCHENSCHLEIBE	ARANDELA	
21	900.104.052	3	WASHER	RONDELLE	RONDELLA	ZWISCHENSCHLEIBE	ARANDELA	
22	900.102.256	3	SCREW	VIS	VITE	SCHRAUBE	TORNILLO	
23	900.107.038	4	SHIM	EPAISSEUR	SPESSORE	STAERKE	ESPEJOR	
24	900.100.103	2	BEARING	ROULEMENT	CUSCINETTO	KUGELLAGER	COJINETE	
25	900.160.022	1	CROWN	COURONNE	CORONA	TELLERRAD	CORONA	
26	900.251.080	2	SPRING R.L.	RESSORT R.L.	MOLLA R.L.	FEDER R.L.	MUELLE R.L.	
27	900.251.081	2	KEY	CLAVETTE	LINGUETTA	KEIL	CHAVETA	
28	900.106.035	1	CIRCLIP	SERFLEX	SEEGER	SEEGER	SEEGER	
29	900.160.023.1	1	SHAFT	ARBRE	ALBERO	WELLE	EJE	
30	900.101.009.A	1	OIL SEAL	PARE-HUILE	PARAOILIO	SIMMERRING	PARA-ACEITE	
31	900.161.016	1	LID	COUVERCLE	COPERCHIO	DECKEL	TAPA	

GEARBOX – BOITE DE VITESSE – GRUPPO – GETRIEBE – REDUCTOR

TDF-HD



ROTOR - ROTOR - ROTORE - ROTOR - ROTOR

TDF-HD



REF	CODE	QTY	ENGLISH	FRANÇAIS	ITALIANO	DEUTSCH	ESPAÑOL	NOTE
1	900.100.088	2	SUPPORT	SUPPORT	SUPPORTO	STUETZE	SOPORTE	180
1	900.100.098	2	SUPPORT	SUPPORT	SUPPORTO	STUETZE	SOPORTE	200-220
2	900.240.128	2	COUNTER-FLANGE	CONTRE-FLASQUE	CONTROFLANGIA	GEGENFLANSCH	CONTRA-BRIDA	180
2	900.251.070	2	COUNTER-FLANGE	CONTRE-FLASQUE	CONTROFLANGIA	GEGENFLANSCH	CONTRA-BRIDA	200-220
3	900.240.125	1	ROTOR	ROTOR	ROTORE	ROTOR	ROTOR	180
3	900.251.048	1	ROTOR	ROTOR	ROTORE	ROTOR	ROTOR	200
3	900.251.049	1	ROTOR	ROTOR	ROTORE	ROTOR	ROTOR	220
4	900.103.019	28	NUT	ECROU	DADO	MUTTER	TUERCA	180
4	900.103.019	32	NUT	ECROU	DADO	MUTTER	TUERCA	200
4	900.103.019	36	NUT	ECROU	DADO	MUTTER	TUERCA	220
5	900.234.050	28	KNIFE	COUTEAU	COLTELLO	MESSER	CUCHILLA	180
5	900.234.050	32	KNIFE	COUTEAU	COLTELLO	MESSER	CUCHILLA	200
5	900.234.050	36	KNIFE	COUTEAU	COLTELLO	MESSER	CUCHILLA	220
6	900.240.061	28	U-BOLT	MANILLE	CAVALLOTTO	U-BOLZEN	SOPORTE	180
6	900.240.061	32	U-BOLT	MANILLE	CAVALLOTTO	U-BOLZEN	SOPORTE	200
6	900.240.061	36	U-BOLT	MANILLE	CAVALLOTTO	U-BOLZEN	SOPORTE	220
7	900.102.378	28	SCREW	VIS	VITE	SCHRAUBE	TORNILLO	180
7	900.102.378	32	SCREW	VIS	VITE	SCHRAUBE	TORNILLO	200
7	900.102.378	36	SCREW	VIS	VITE	SCHRAUBE	TORNILLO	220
8	900.102.021	8	SCREW	VIS	VITE	SCHRAUBE	TORNILLO	180
8	900.102.029	8	SCREW	VIS	VITE	SCHRAUBE	TORNILLO	200-220
9	900.270.008	1	PULLEY	POULIE	PULEGGIA	REIMENSCH.	POLEA	
10	900.269.004	1	CLAMPING	BLOCAGE	CALETTATORE	KLEMMHU.	ENSAMBL.	
11	900.239.035	4	BELT	COURROIE	CINGHIA	RIEMEN	CINTA	
12	900.269.003	1	CLAMPING	BLOCAGE	CALETTATORE	KLEMMHU.	ENSAMBL.	
13	900.270.009	1	PULLEY	POULIE	PULEGGIA	REIMENSCH.	POLEA	
14	900.104.010	8	WASHER	RONDELLE	RONDELLA	ZWISCHENSCHIEBE	ARANDELA	
14	900.104.021	8	WASHER	RONDELLE	RONDELLA	ZWISCHENSCHIEBE	ARANDELA	
15	900.240.060	56	KNIFE	COUTEAU	COLTELLO	MESSER	CUCHILLA	160
15	900.240.060	64	KNIFE	COUTEAU	COLTELLO	MESSER	CUCHILLA	180
15	900.240.060	72	KNIFE	COUTEAU	COLTELLO	MESSER	CUCHILLA	220
16	900.239.091	32	KNIFE	COUTEAU	COLTELLO	MESSER	CUCHILLA	180-200
16	900.239.091	40	KNIFE	COUTEAU	COLTELLO	MESSER	CUCHILLA	220
17	900.239.085	16	HAMMER KNIFE	MASSE MOULE	MAZZA	HAMMER	MARTILLO	180-200
17	900.239.085	20	HAMMER KNIFE	MASSE MOULE	MAZZA	HAMMER	MARTILLO	220
18	900.240.087	32	SPACER	ENTRETOISE	DISTANZIALE	ABSTANDSRING	DISTANCIADOR	180-200
18	900.240.087	40	SPACER	ENTRETOISE	DISTANZIALE	ABSTANDSRING	DISTANCIADOR	220
19	900.102.117	16	SCREW	VIS	VITE	SCHRAUBE	TORNILLO	180-200
19	900.102.117	20	SCREW	VIS	VITE	SCHRAUBE	TORNILLO	220
20	900.103.023	16	NUT	ECROU	DADO	MUTTER	TUERCA	180-200
20	900.103.023	20	NUT	ECROU	DADO	MUTTER	TUERCA	220
21	900.251.064	1	ROTOR	ROTOR	ROTORE	ROTOR	ROTOR	180
21	900.251.065	1	ROTOR	ROTOR	ROTORE	ROTOR	ROTOR	200
21	900.251.066	1	ROTOR	ROTOR	ROTORE	ROTOR	ROTOR	220

ROTOR – ROTOR – ROTORE – ROTOR - ROTOR