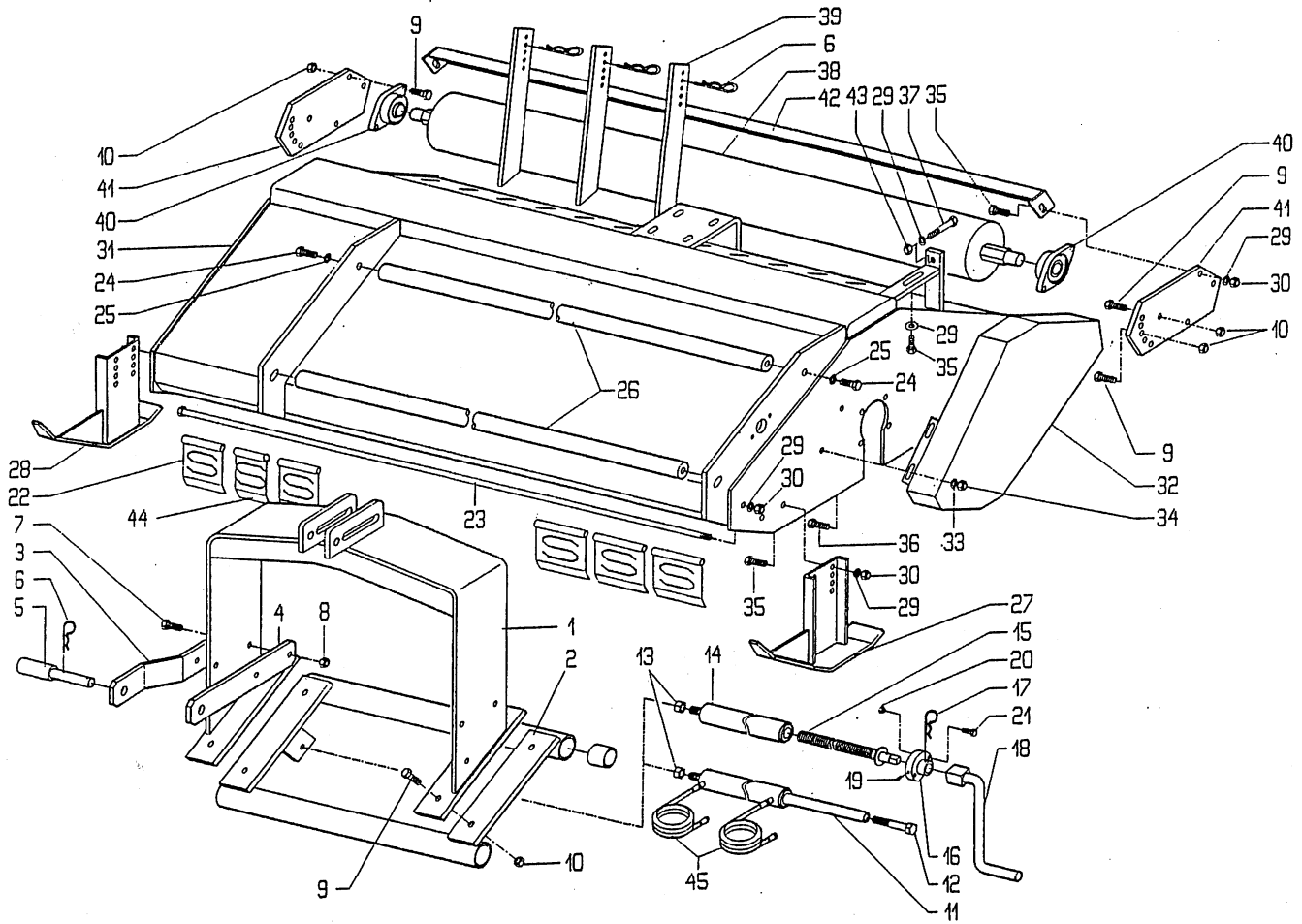




# VN-2

FRAME-CHASSIS-TELAIO-RAHMEN-BASTIDOR

H.10.1.0

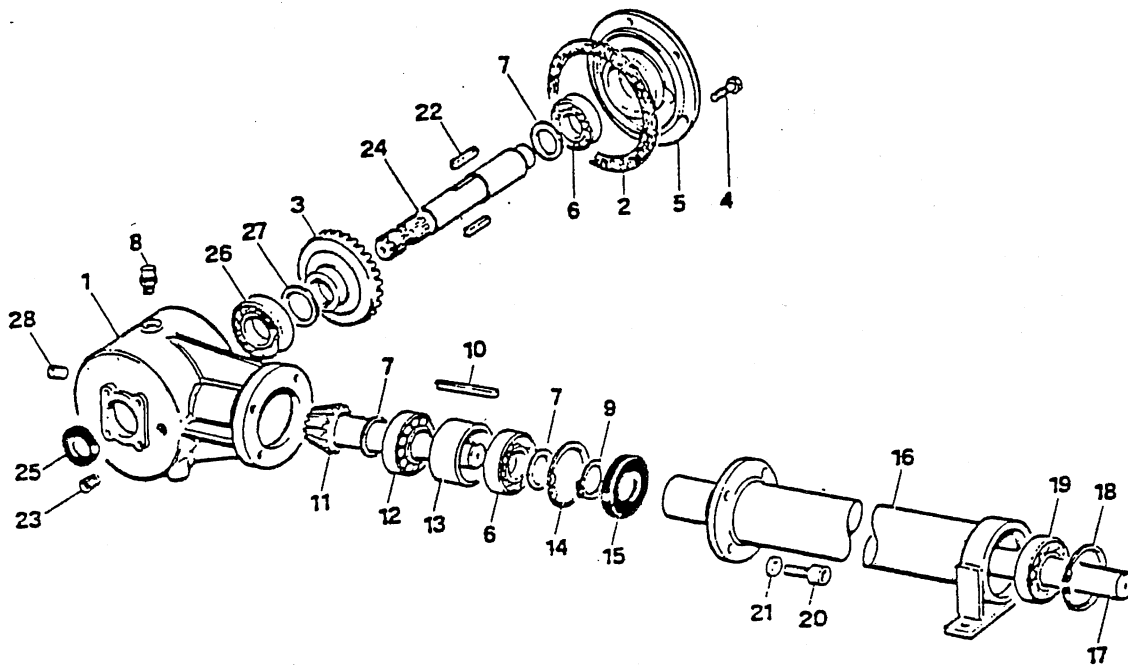


REF	CODE	QTY	ENGLISH	FRAÇAIS	ITALIANO	DEUTSCH	ESPAÑOL	NOTE
VN-2								H.10.1.0
1	900.240.240	1	HITCH	ATTELAGE	ATTACCO	GLEITKOPF	ENGANCHE	
2	900.240.241	1	SKID	PATIN	SLITTA	KUFE	CORREDERA	
3	900.240.242	2	ARM	BRAS	BRACCIO	ARM	BRAZO	
4	900.240.243	2	ARM	BRAS	BRACCIO	ARM	BRAZO	
5	900.116.033	2	PIN	TOURILLON	PERNO	STIFT	PERNO	
6	900.108.017	-	SPLIT PIN	GOUPILLE	COPIGLIA	ARRETIERUNG	PASADOR	
7	900.102.105	4	BOLT	VIS	VITE	SCHRAUBE	TORNILLO	
8	900.103.106	4	NUT	ECROU	DADO	MUTTER	TUERCA	
9	900.102.096	12	BOLT	VIS	VITE	SCHRAUBE	TORNILLO	
10	900.103.021	12	NUT	ECROU	DADO	MUTTER	TUERCA	
11	900.120.066.0	1	CYLINDER	VERIN	CILINDRO	ZYLINDER	CILINDRO	
12	900.102.096	1	BOLT	VIS	VITE	SCHRAUBE	TORNILLO	
13	900.103.021	10	NUT	ECROU	DADO	MUTTER	TUERCA	
14	900.120.065	1	ADJUST SCREW	VIS DE REGL.	VITE REGOLAZ.	EINST. SCHRAUBE	TORNILLO REG.	
18	900.120.071	1	CRANK	MANIVELLE	MANOVELLA	KURBEL	MANIVELA	
22	900.238.064	-	FLAP	AILETTE	ALETTA	SCHUTZLAMELLE	ALETA	
23	900.240.207	1	ROD	TIGE	ASTA	ARM	VARILLA	125
23	900.240.208	1	ROD	TIGE	ASTA	ARM	VARILLA	150
23	900.240.209	1	ROD	TIGE	ASTA	ARM	VARILLA	175
23	900.240.210	1	ROD	TIGE	ASTA	ARM	VARILLA	200
24	900.102.096	8	BOLT	VIS	VITE	SCHRAUBE	TORNILLO	
26	900.240.244	2	BAR	BARRE	BARRA	STANGE	BARRA	
27	900.240.211	1	SKID	PATIN	SLITTA	KUFE	CORREDERA	
28	900.240.212	1	SKID	PATIN	SLITTA	KUFE	CORREDERA	
29	900.104.044	12	WASHER	RONDELLE	RONDELLA	ZWISCHENSCHLEIBE	ARANDELA	
30	900.103.021	7	NUT	ECROU	DADO	MUTTER	TUERCA	
31	900.240.245	1	FRAME	CHASSIS	TELAIO	RAHMEN	SOPORTE	125
31	900.240.246	1	FRAME	CHASSIS	TELAIO	RAHMEN	SOPORTE	150
31	900.240.247	1	FRAME	CHASSIS	TELAIO	RAHMEN	SOPORTE	175
31	900.240.248	1	FRAME	CHASSIS	TELAIO	RAHMEN	SOPORTE	200
32	900.240.249	1	COVER	CARTER	CARTER	CARTER	CARTER	
33	900.104.045	4	WASHER	RONDELLE	RONDELLA	ZWISCHENSCHLEIBE	ARANDELA	
34	900.103.018	4	NUT	ECROU	DADO	MUTTER	TUERCA	
35	900.102.098	3	BOLT	VIS	VITE	SCHRAUBE	TORNILLO	
36	900.102.121	4	BOLT	VIS	VITE	SCHRAUBE	TORNILLO	
37	900.102.245	1	BOLT	VIS	VITE	SCHRAUBE	TORNILLO	
38	900.240.217	1	ROLLER	ROULEAU	RULLO	WALZE	RODILLO	125
38	900.240.218	1	ROLLER	ROULEAU	RULLO	WALZE	RODILLO	150
38	900.240.219	1	ROLLER	ROULEAU	RULLO	WALZE	RODILLO	175
38	900.240.220	1	ROLLER	ROULEAU	RULLO	WALZE	RODILLO	200
39	900.240.226	-	ROD	TIGE	ASTA	ARM	VARILLA	
40	900.100.030	2	SUPPORT	SUPPORT	SUPPORTO	STUETZE	SOPORTE	
41	900.240.215	2	PLATE	PLAQUE	PIASTRA	PLATTE	PLACA	
42	900.240.222	1	SCRAPER	RACLEUR	RASCHIARULLO	WALZENSCHABER	RASCARODILLO	125
42	900.240.223	1	SCRAPER	RACLEUR	RASCHIARULLO	WALZENSCHABER	RASCARODILLO	150
42	900.240.224	1	SCRAPER	RACLEUR	RASCHIARULLO	WALZENSCHABER	RASCARODILLO	175
42	900.240.225	1	SCRAPER	RACLEUR	RASCHIARULLO	WALZENSCHABER	RASCARODILLO	200
43	900.103.035	1	NUT	ECROU	DADO	MUTTER	TUERCA	
44	900.238.063	-	FLAP	AILETTE	ALETTA	SCHUTZLAMELLE	ALETA	
45	900.237.013	2	PIPE	TUBE	TUBO	ROHR	TUBO	
46	900.116.028	1	PIN	TOURILLON	PERNO	STIFT	PERNO	
47	900.108.006	1	SPLIT PIN	GOUPILLE	COPIGLIA	ARRETIERUNG	PASADOR	
48	900.240.239	4	BUSH	COQUILLE	BOCCOLA	BUCHSE	CASQUILLO	
49	900.106.033	4	SERFLEX	SEEGER	SEEGER	SEEGER	SEEGER	
50	900.240.237	1	SUPPORT	SUPPORT	SUPPORTO	STUETZE	SOPORTE	
51	900.240.238	1	SUPPORT	SUPPORT	SUPPORTO	STUETZE	SOPORTE	
52	900.104.046	4	WASHER	RONDELLE	RONDELLA	ZWISCHENSCHLEIBE	ARANDELA	
53	900.103.019	4	NUT	ECROU	DADO	MUTTER	TUERCA	
54	900.108.011	1	PIN	CHEVILLE	SPINA	DORN	CLAVIA	
55	900.102.018	4	BOLT	VIS	VITE	SCHRAUBE	TORNILLO	
56	900.104.010	4	WASHER	RONDELLE	RONDELLA	ZWISCHENSCHLEIBE	ARANDELA	



# VN-2

GEARBOX-BOITE DE VITESSE-GRUPPO-GETRIEBE-REDUCTOR H.10.2.0

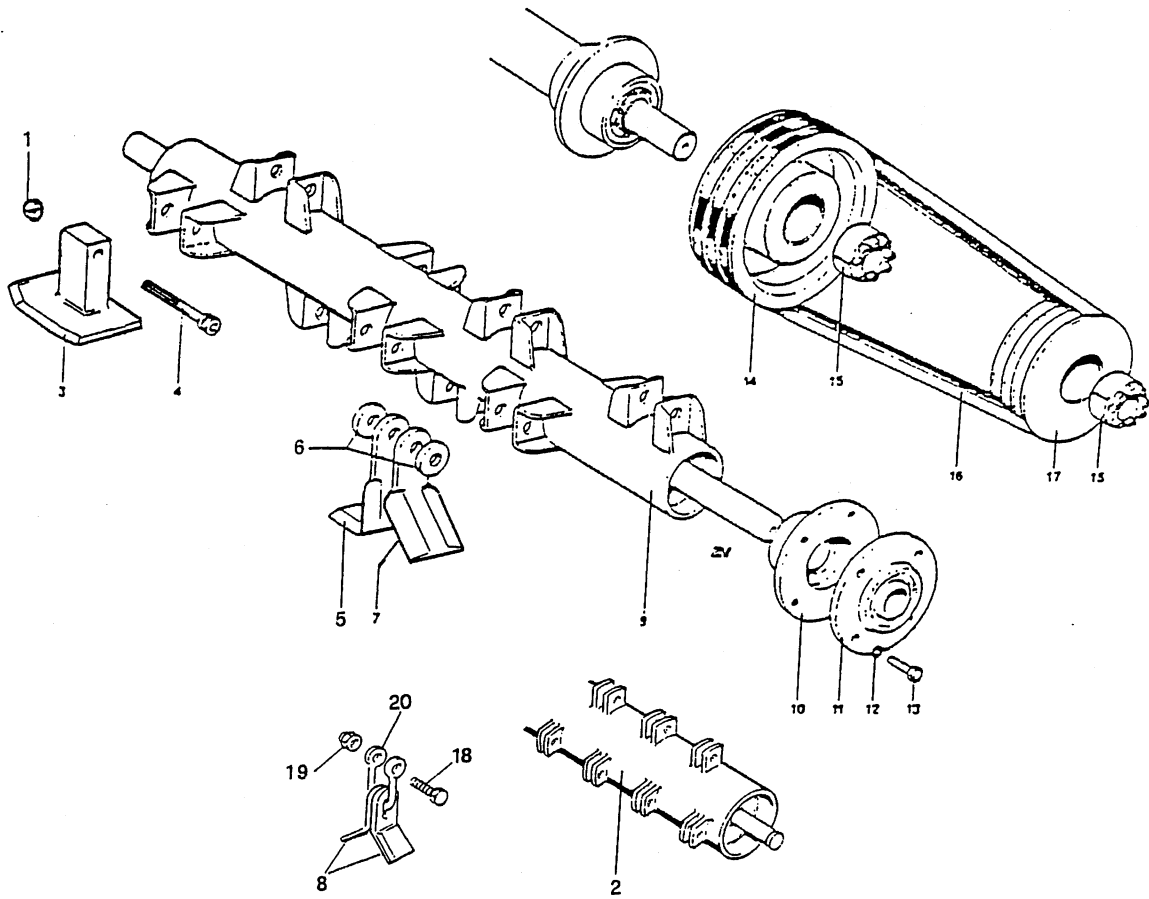


REF	CODE	QTY	ENGLISH	FRANÇAIS	ITALIANO	DEUTSCH	ESPAÑOL	NOTE
VN-2								H.10.2.0
1	900.240.250	1	CASE	BOITE	SCATOLA	KISTE	CAJA	
2	900.107.066	2	SHIM	EPAISSEUR	SPESSORE REG.	STAERKE	ESPEJOR REG.	
3	900.240.251	1	CROWN	COURONNE	CORONA	TELLERRAD	CORONA	
4	900.106.011	2	CIRCLIP	SERFLEX	SEEGER	SEEGER	SEEGER	
5	900.240.252	1	LID	COUVERCLE	COPERCHIO	DECKEL	TAPA	
6	900.100.033	2	BEARING	ROULEMENT	CUSCINETTO	KUGELLAGER	COJINETE	
7	900.107.048	2	SHIM	EPAISSEUR	SPESSORE REG.	STAERKE	ESPEJOR REG.	
8	900.102.079	1	PLUG	BOUCHON	TAPPO	ZAPFEN	TAPON	
9	900.240.253	2	LID	COUVERCLE	COPERCHIO	DECKEL	TAPA	
10	900.105.044	1	KEY	CLAVETTE	CHIAVETTA	KEIL	CHAVETA	
11	900.240.254	1	PINION	PIGNON	PIGNONE	IRITZEL	PINON	
12	900.100.037	1	BEARING	ROULEMENT	CUSCINETTO	KUGELLAGER	COJINETE	
13	900.240.255	1	BUSH	COQUILLE	BOCCOLA	BUCHSE	CASQUILLO	
14	900.106.013	1	CIRCLIP	SERFLEX	SEEGER	SEEGER	SEEGER	
15	900.101.009.A	1	OIL SEAL	PARE-HUILE	PARAOLIO	SIMMERRING	PARA-ACEITE	
16	900.240.013	1	EXTENSION	PROLONGE	PROLUNGA	VERLAENGERUNG	PROLONGACION	125-200
17	900.240.064	1	SHAFT	ARBRE	ALBERO	WELLE	EJE	125-200
18	900.106.005	1	CIRCLIP	SERFLEX	SEEGER	SEEGER	SEEGER	
19	900.100.016	1	BEARING	ROULEMENT	CUSCINETTO	KUGELLAGER	COJINETE	
20	900.102.206	4	BOLT	VIS	VITE	SCHRAUBE	TORNILLO	
21	900.106.026	1	CIRCLIP	SERFLEX	SEEGER	SEEGER	SEEGER	
22	900.105.029	1	KEY	CLAVETTE	CHIAVETTA	KEIL	CHAVETA	
23	900.102.280	3	PLUG	BOUCHON	TAPPO	ZAPFEN	TAPON	
24	900.240.260	1	SHAFT	ARBRE	ALBERO	WELLE	EJE	
25	900.101.066	1	OIL SEAL	PARE-HUILE	PARAOLIO	SIMMERRING	PARA-ACEITE	
26	900.102.011	8	BOLT	VIS	VITE	SCHRAUBE	TORNILLO	
27	900.101.076	1	OIL SEAL	PARE-HUILE	PARAOLIO	SIMMERRING	PARA-ACEITE	
28	900.105.005	1	KEY	CLAVETTE	CHIAVETTA	KEIL	CHAVETA	
29	900.100.008	1	BEARING	ROULEMENT	CUSCINETTO	KUGELLAGER	COJINETE	
30	900.117.070	1	PROT. HOLDER	DISQUE	FONDELLO	ZWSCHUTZHALTER	DISCO	
31	900.117.072	1	GUARD	PROTECTION	PROTEZIONE	SCHUTZ	PROTECCION	
32	900.102.256	7	BOLT	VIS	VITE	SCHRAUBE	TORNILLO	
33	900.104.054	4	WASHER	RONDELLE	RONDELLA	ZWISCHENSCHIEBE	ARANDELA	



# VN-2 ROTOR-ROTOR-ROTORE-ROTOR-ROTOR

H.10.3.0



REF	CODE	QTY	ENGLISH	FRANÇAIS	ITALIANO	DEUTSCH	ESPAÑOL	NOTE
VN-2								H.10.3.0
1	900.103.023	-	NUT	ECROU	DADO	MUTTER	TUERCA	
2	900.239.135	1	ROTOR	ROTOR	ROTORE	ROTOR	ROTOR	100
2	900.239.136	1	ROTOR	ROTOR	ROTORE	ROTOR	ROTOR	125
2	900.239.137	1	ROTOR	ROTOR	ROTORE	ROTOR	ROTOR	150
2	900.239.138	1	ROTOR	ROTOR	ROTORE	ROTOR	ROTOR	175
2	900.239.139	1	ROTOR	ROTOR	ROTORE	ROTOR	ROTOR	200
3	900.239.085	-	HAMMER KNIFE	MASSE MOULE	MAZZA	HAMMERMESSER	MARTILLO	
4	900.102.117	-	BOLT	VIS	VITE	SCHRAUBE	TORNILLO	
5	900.240.086	-	KNIFE	COUTEAU	COLTELLO	MESSER	CUCHILLA	
6	900.240.087	-	SPACER	ENTRETOISE	DISTANZIALE	ABSTANDSRING	DISTANCIADOR	
7	900.239.091	-	KNIFE	COUTEAU	COLTELLO	MESSER	CUCHILLA	
8	900.240.060	-	KNIFE	COUTEAU	COLTELLO	MESSER	CUCHILLA	
9	900.239.140	1	ROTOR	ROTOR	ROTORE	ROTOR	ROTOR	100
9	900.239.141	1	ROTOR	ROTOR	ROTORE	ROTOR	ROTOR	125
9	900.239.142	1	ROTOR	ROTOR	ROTORE	ROTOR	ROTOR	150
9	900.239.143	1	ROTOR	ROTOR	ROTORE	ROTOR	ROTOR	175
9	900.239.144	1	ROTOR	ROTOR	ROTORE	ROTOR	ROTOR	200
10	900.240.041	2	FLANGE	FLASQUE	FLANGIA	FLANSCH	BRIDA	
11	900.100.098	2	SUPPORT	SUPPORT	SUPPORTO	STUETZE	SOPORTE	
13	900.102.029	8	BOLT	VIS	VITE	SCHRAUBE	TORNILLO	
14	900.240.042	1	PULLEY	POULIE	PULEGGIA	REIMENSCHLEIBE	POLEA	100-125
14	900.238.083	1	PULLEY	POULIE	PULEGGIA	REIMENSCHLEIBE	POLEA	150-200
15	900.238.091	2	CLAMPING	BLOCAGE	CALETTATORE	KLEMMHUELSE	ENSAMBLADOR	
16	900.240.055	-	BELT	COURROIE	CINGHIA	RIEMEN	CINTA	
17	900.240.043	1	PULLEY	POULIE	PULEGGIA	REIMENSCHLEIBE	POLEA	100-125
17	900.238.087	1	PULLEY	POULIE	PULEGGIA	REIMENSCHLEIBE	POLEA	150-200
18	900.102.252	-	BOLT	VIS	VITE	SCHRAUBE	TORNILLO	
19	900.103.019	-	NUT	ECROU	DADO	MUTTER	TUERCA	
20	900.240.061	-	U-BOLT	MANILLE	CAVALLOTTO	U-BOLZEN	SOPORTE	